



TYPE "B" SINGLE STAGE CENTRIFUGAL PUMP Electric Motor Drive

Section	CC
Page	420.10
Date	January 1, 2004
Supersedes 9/1/97	

SILICON BRONZE IMPELLER

B8GPBMS

Flanged Case

Mechanical Shaft Seal Construction

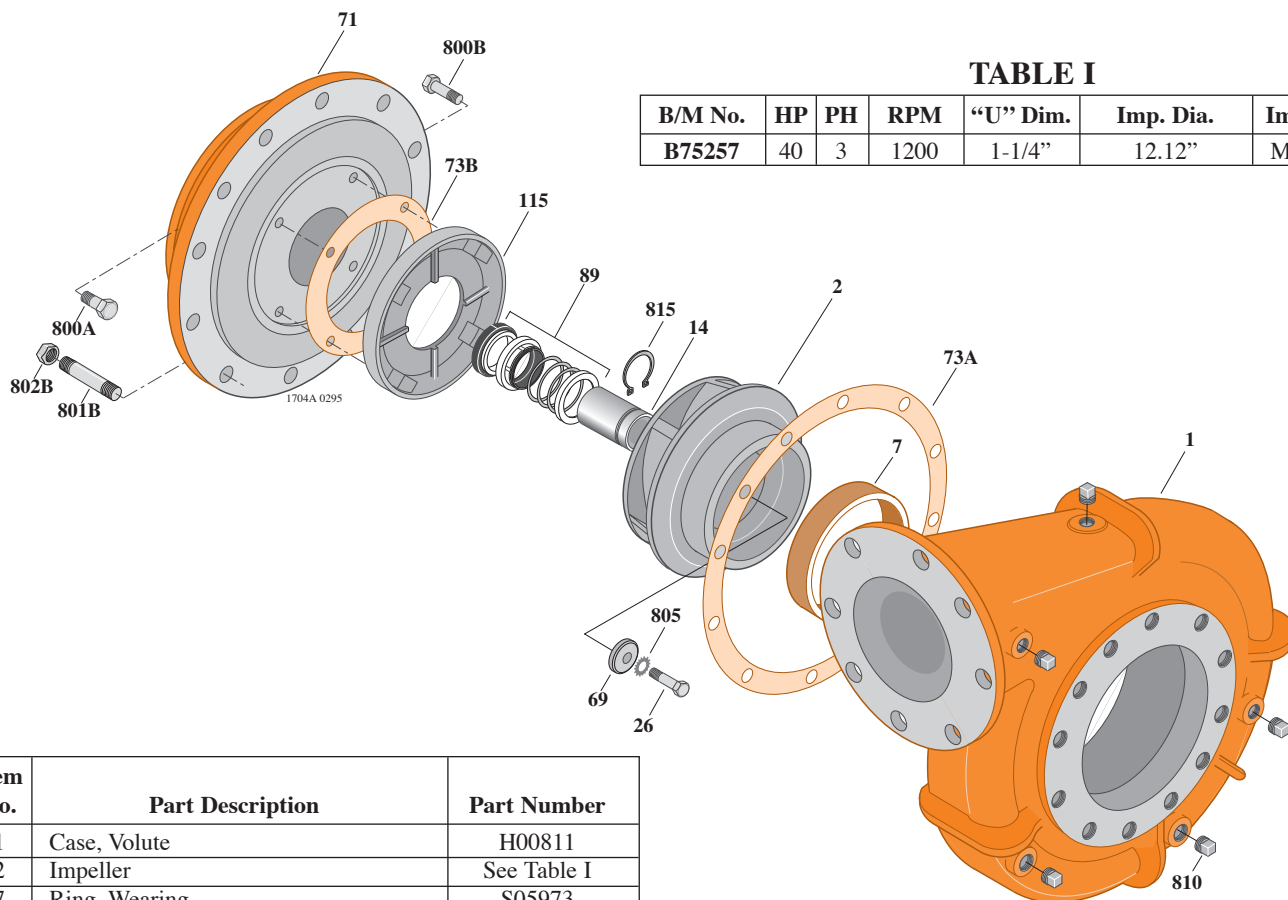


TABLE I

B/M No.	HP	PH	RPM	"U" Dim.	Imp. Dia.	Imp. No.
B75257	40	3	1200	1-1/4"	12.12"	M03798

Item No.	Part Description	Part Number
1	Case, Volute	H00811
2	Impeller	See Table I
7	Ring, Wearing	S05973
11	Retainer, Mechanical Shaft Seal	S15377
14	Sleeve, Shaft	S07073
26	Screw, Impeller 1/2 - 13 x 1-1/4"	S23621
32	Key, 3/8 x 2-1/4" (See Note)	S23940
69	Washer, Impeller	S34492
71	Bracket	See Table II
73A	Gasket, Volute Case	S06271
73B	Gasket, Balance Ring	S09943
73C	Gasket, Mechanical Shaft Seal Retainer	S15078
89	Seal, Mechanical Shaft	S32016
115	Ring, Balance	S14065
800A	Capscrew, 5/8 - 11 x 1-3/4" (4 Req.)	S27001
800B	Capscrew, 3/8 - 16 x 1-1/2" (4 Req.)	S26830
801A	Stud, 3/8 - 16 x 2-1/2" (2 Req.)	S04438
801B	Stud, 5/8 - 11 x 2-1/4" (12 Req.)	S24061
802A	Nut, Hex 3/8 - 16 (2 Req.)	S23343
802B	Nut, Hex 5/8 - 11 (12 Req.)	S23109
805	Washer, Lock	S23038
810	Plug, Pipe 1/2" NPT (5 Req.)	S23717
•	Plug, Pipe 1/8" NPT(In Bracket)(2 Req.)	S23714

TABLE II

HP	PH	Bracket No.	"AK" Fit	"U" Dim.	Motor Frame
40	3	H03301	12-1/2"	1-1/4"	364JMZ

NOTE: For an explanation of the tabulated material found on this page and for impeller key location, refer to *Supplement A* located at the beginning of this section.

NOTE: For seal flush line details, see *Supplement D*.

• Not illustrated.