



# TYPE "B" SINGLE STAGE CENTRIFUGAL PUMP Electric Motor Drive

|                |                 |
|----------------|-----------------|
| Section        | CC              |
| Page           | 420.12          |
| Date           | January 1, 2004 |
| Supersedes/New |                 |

## BRONZE IMPELLER

## B8GPBMS

### Flanged Case

### Mechanical Shaft Seal Construction

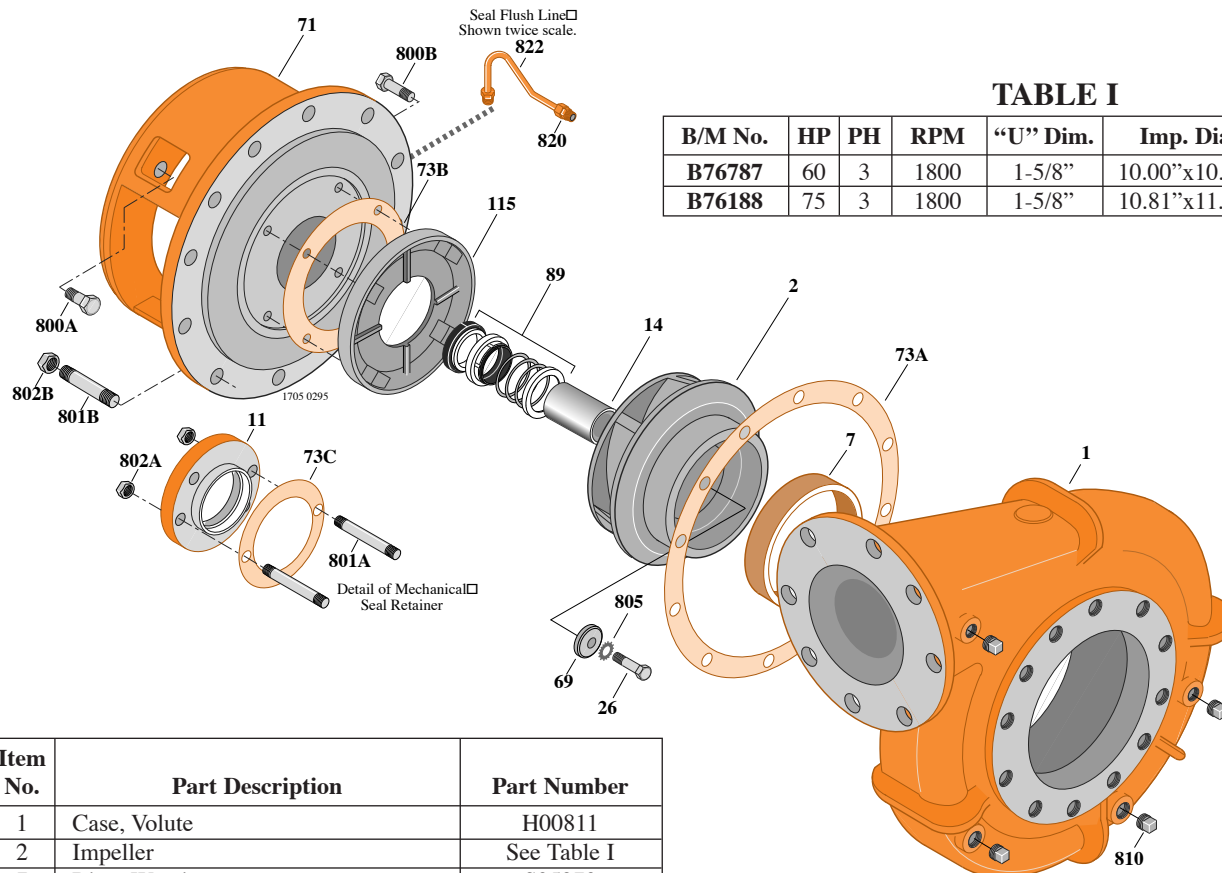


TABLE I

| B/M No. | HP | PH | RPM  | "U" Dim. | Imp. Dia.     | Imp. No. |
|---------|----|----|------|----------|---------------|----------|
| B76787  | 60 | 3  | 1800 | 1-5/8"   | 10.00"x10.75" | M11575   |
| B76188  | 75 | 3  | 1800 | 1-5/8"   | 10.81"x11.38" | M11576   |

| Item No. | Part Description                     | Part Number  |
|----------|--------------------------------------|--------------|
| 1        | Case, Volute                         | H00811       |
| 2        | Impeller                             | See Table I  |
| 7        | Ring, Wearing                        | S05973       |
| 11       | Retainer, Mechanical Shaft Seal      | S15377       |
| 14       | Sleeve, Shaft                        | S07073       |
| 26       | Screw, Impeller 1/2 - 13 x 1-1/4"    | S23621       |
| 32       | Key, 3/8 x 2-1/4" (See Note)         | S23940       |
| 69       | Washer, Impeller                     | S34492       |
| 71       | Bracket                              | See Table II |
| 73A      | Gasket, Volute Case                  | S06271       |
| 73B      | Gasket, Balance Ring                 | S09943       |
| 73C      | Gasket, Seal Retainer                | S16411       |
| 89       | Seal, Mechanical Shaft               | S32016       |
| 115      | Ring, Balance                        | S14065       |
| 800A     | Capscrew, 5/8 - 11 x 1-3/4" (4 Req.) | S27001       |
| 800B     | Capscrew, 3/8 - 16 x 1-1/2" (4 Req.) | S26830       |
| 801A     | Stud, 3/8 - 16 x 2-1/2" (2 Req.)     | S04438       |
| 801B     | Stud, 5/8 - 11 x 2-1/4" (12 Req.)    | S24061       |
| 802A     | Nut, Hex 3/8 - 16 (2 Req.)           | S23343       |
| 802B     | Nut, Hex 5/8 - 11 (12 Req.)          | S23109       |
| 805      | Washer, Lock                         | S23038       |
| 810      | Plug, Pipe 1/2 NPT (4 Req.)          | S23717       |
| 820      | Connector, Comp. Fitting (2 Req.)    | S24013       |
| 822      | Tubing, Copper                       | S20677       |
| •        | Plug, Pipe 1/8 NPT (Not Illustrated) | S23714       |
| •        | Plug, Pipe 1/4 NPT (Not Illustrated) | S23715       |

TABLE II

| HP | PH | Bracket No. | "AK" Fit | "U" Dim. | Motor Frame |
|----|----|-------------|----------|----------|-------------|
| 60 | 3  | H03936      | 12-1/2"  | 1-5/8"   | 364JP       |
| 75 | 3  | H03936      | 12-1/2"  | 1-5/8"   | 365JP       |

**NOTE:** For an explanation of the tabulated material found on this page and for impeller key location, refer to *Supplement A* located at the beginning of this section.