



TYPE "B" SINGLE STAGE  
CENTRIFUGAL PUMP  
Electric Motor Drive

Section	CC
Page	420.6
Date	January 1, 2004
Supersedes 6/1/95	

CAST IRON IMPELLER

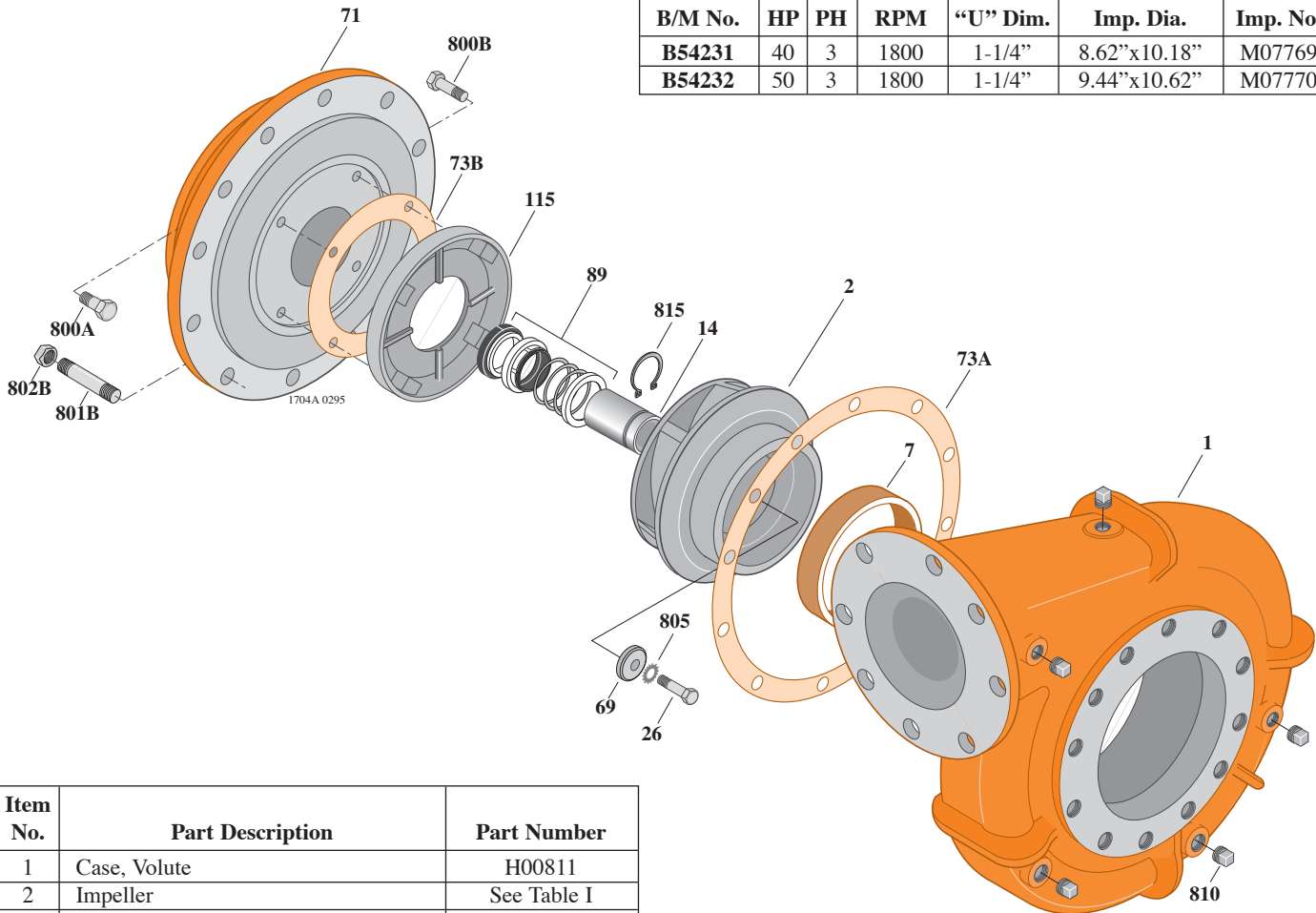
B8GPBMS

Flanged Case

Mechanical Shaft Seal Construction

TABLE I

B/M No.	HP	PH	RPM	"U" Dim.	Imp. Dia.	Imp. No.
B54231	40	3	1800	1-1/4"	8.62"x10.18"	M07769
B54232	50	3	1800	1-1/4"	9.44"x10.62"	M07770



Item No.	Part Description	Part Number
1	Case, Volute	H00811
2	Impeller	See Table I
7	Ring, Wearing	S05973
14	Sleeve, Shaft	S18869
26	Screw, Impeller 1/2 - 13 x 2-3/4"	S23630
32	Key, 1/4 x 2-1/4" (See Note)	S23677
69	Washer, Impeller	S06319
71	Bracket	See Table II
73A	Gasket, Volute Case	S06271
73B	Gasket, Balance Ring	S09943
89	Seal, Mechanical Shaft	S32015
115	Ring, Balance	S19073
800A	Capscrew, 5/8 - 11 x 1-1/2" (4 Req.)	S26999
800B	Capscrew, 3/8 - 16 x 1" (4 Req.)	S26826
801	Stud, 5/8 - 11 x 2-1/4" (12 Req.)	S24061
802	Nut, Hex 5/8 - 11 (12 Req.)	S23109
805	Washer, Lock	S23038
810	Plug, Pipe 1/2 NPT (5 Req.)	S23717
815	Ring, Retaining	S16767

TABLE II

HP	PH	Bracket No.	"AK" Fit	"U" Dim.	Motor Frame
40	3	H03301	12-1/2"	1-1/4"	324JM
50	3	H03301	12-1/2"	1-1/4"	326JM

**NOTE:** For an explanation of the tabulated material found on this page and for impeller key location, refer to *Supplement A* located at the beginning of this section.