



# Type "B" Single Stage Centrifugal Pump Electric Motor Drive

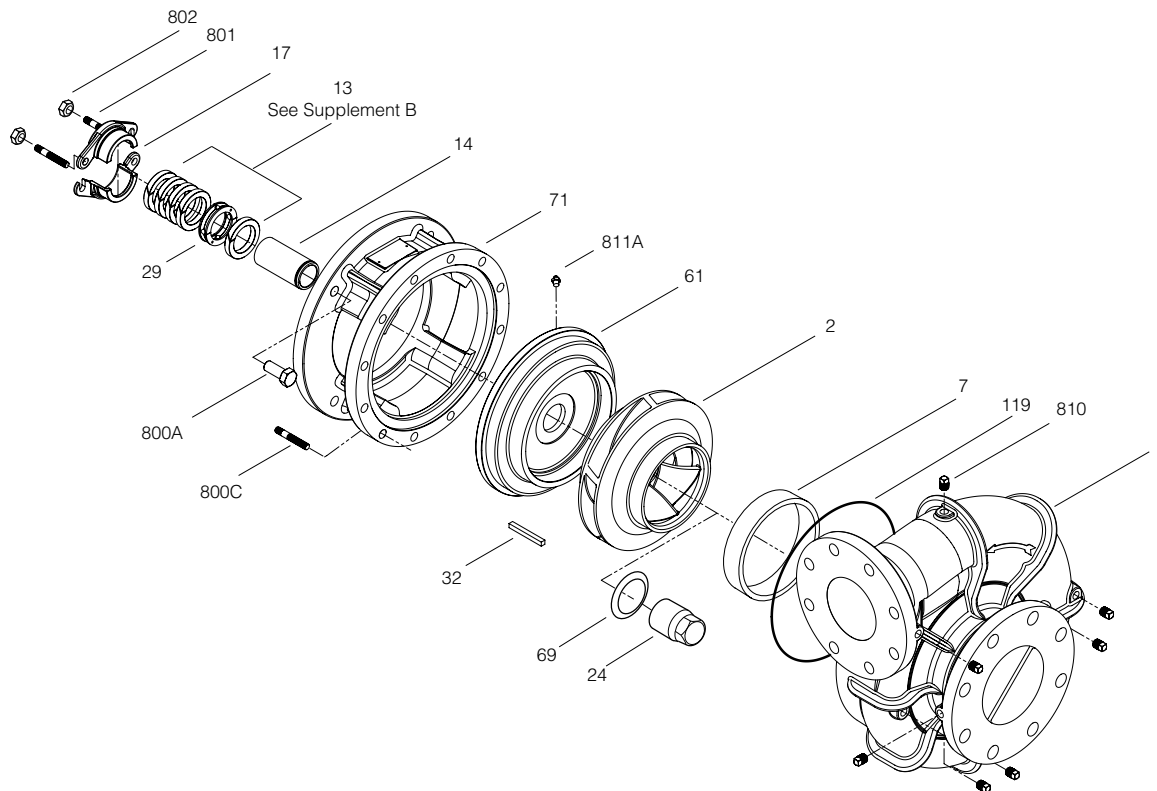
Section	CC
Page	422.1.1
Date	June 1, 2011
	New

## CAST IRON IMPELLER

## B8JPBH

### Flanged Case

### Packing Construction



Ref	Part Description	Part Number
1	Case, Volute	M15104
2	Impeller (Note 1)	See Table I
7	Ring, Wearing	M15126
13	Rings, Packing (Set of 6)	S16448
14	Sleeve, Shaft (Note 2)	S29517L
17	Gland, Packing (2 rqd)	M05311
24	Locknut, Impeller	S07829
29	Ring, Lantern	S14330
32	Key, Impeller 1/2 x 2-3/8" 150HP	M15123
32A	Key, Impeller 3/8 x 2" 100 & 125HP	M15124
61	Plate, Seal	M15111
69	Washer, Impeller	M15232
71	Bracket	See Table II
119	O-Ring	M15130
800A	Capscrew, 5/8 - 11 x 1-1/2" (8 rqd)	S28427
800C	Stud (12 rqd)	M15388
801	Stud, 1/2 - 13 x 2-1/2" (2 rqd)	S24358
*	Nut, Hex (12 rqd)	S23109
802	Nut, Hex, Lock, 1/2 - 13 (2 rqd)	S23347

Ref	Part Description	Part Number
810	Plug, Pipe (7 rqd)	S23717
811A	Fitting, Grease	S23700
*	Slinger, Water	M15129

\* Not shown

**Table I**

B/M No.	HP	PH	RPM	Imp. Dia.	Imp. No.
B85772	100	3	1800	12.06"	M15646
B85770	125			12.88"	M15191
B85768	150			13.50"	M15106

**Table II**

HP	PH	Bracket No.	"AK" Fit	"U" Dim.	Motor Frame
100	3	M15114	12.5"	1.625"	404TCZ
125					405TCZ
150		M15113	16.0"	2.1875"	444TY

**NOTE 1:** Impeller kit B85813 includes items 2, 24, 32, 69, 119. Impeller (Ref. 2) is full diameter.

**NOTE 2:** Shaft sleeve kit B85812 includes items 14, 24, 32, 69, 119, adhesive and instruction sheet.