



Type "B" Single Stage Centrifugal Pump Electric Motor Drive

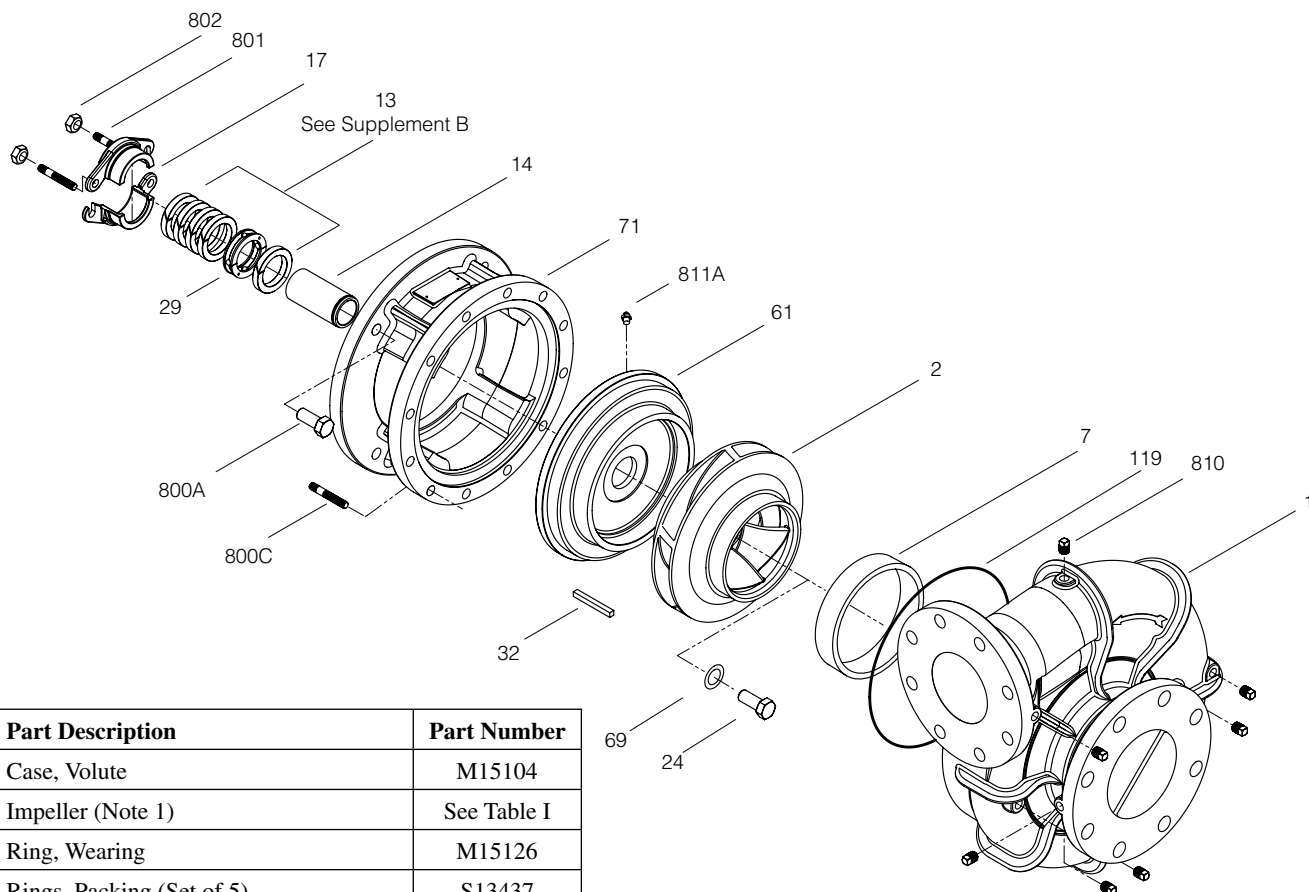
Section	CC
Page	422.1.2
Date	June 1, 2011
	New

CAST IRON IMPELLER

B8JPBH

Flanged Case

Packing Construction



Ref	Part Description	Part Number
1	Case, Volute	M15104
2	Impeller (Note 1)	See Table I
7	Ring, Wearing	M15126
13	Rings, Packing (Set of 5)	S13437
14	Sleeve, Shaft (Note 2)	M15120
17	Gland, Packing (2 rqd)	M13598
24	Capscrew, Impeller	S23623
29	Ring, Lantern	S19198
32	Key, Impeller 3/8 x 3/8 x 2"	M15124
61	Plate, Seal	M15112
69	Washer, Impeller	M15231
71	Bracket	See Table II
119	O-Ring	M15130
800A	Capscrew, 5/8 - 11 x 1-1/2" (8 rqd)	S28427
800C	Stud (12 rqd)	M15388
801	Stud, 3/8 - 16 x 2" (2 rqd)	S24335
*	Nut, Hex (12 rqd)	S23109
802	Nut, Hex, Lock, 3/8 - 16 (2 rqd)	S23343
810	Plug, Pipe	S23717
811A	Fitting, Grease	S23700
*	Slinger, Water	M15128

Table I

B/M No.	HP	PH	RPM	Imp. Dia.	Imp. No.
B85776	60	3	1800	10.5" x 9.75"	M15648
B85774	75			10.94"	M15647

Table II

HP	PH	Bracket No.	"AK" Fit	"U" Dim.	Motor Frame
60	3	M15114	12.5"	1.625"	364JP
75					365TCZ

NOTE 1: Impeller kit B85823 includes items 2, 24, 32, 69, 119. Impeller (Ref. 2) is full diameter.

NOTE 2: Shaft sleeve kit B85815 includes items 14, 24, 32, 69, 119, adhesive and instruction sheet.

* Not shown

Form No. S4855BK