



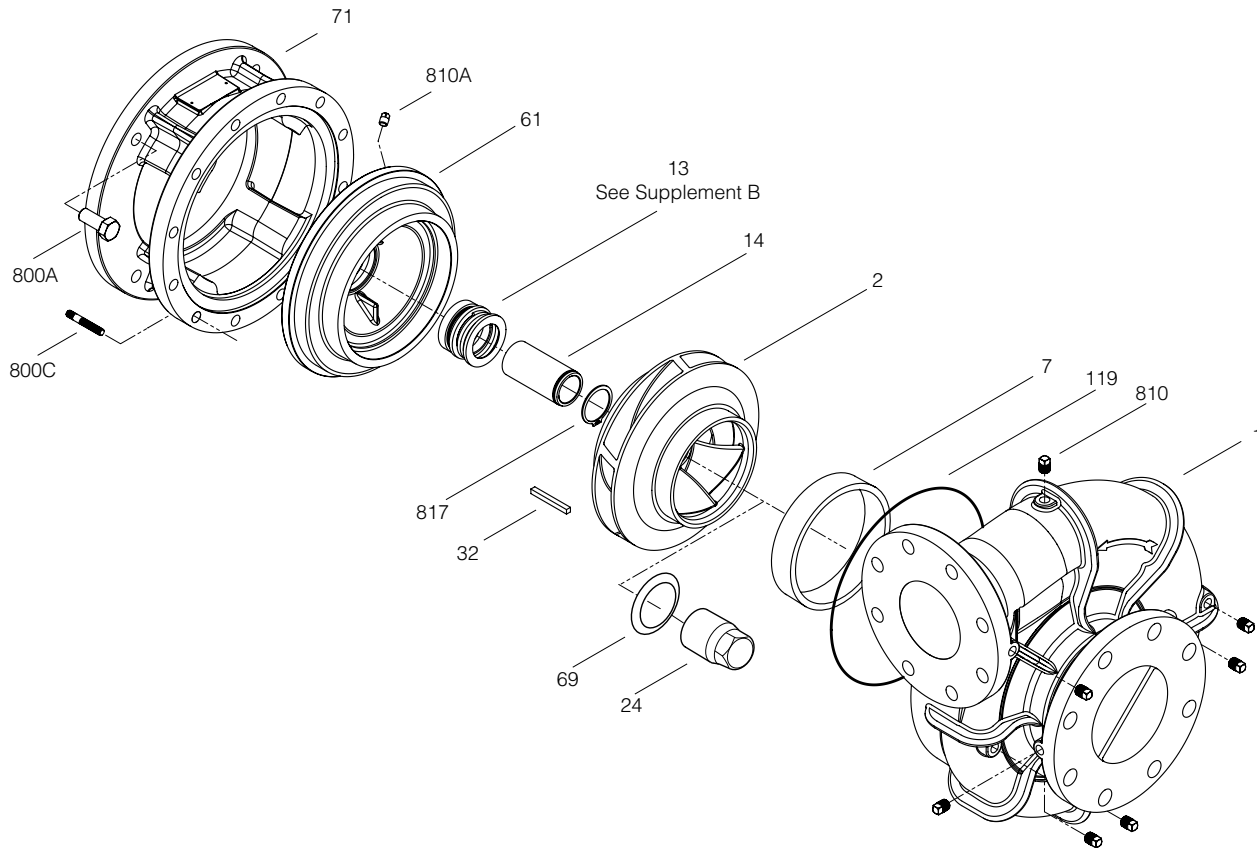
# Type "B" Single Stage Centrifugal Pump Electric Motor Drive

Section	CC
Page	422.2.1
Date	June 1, 2011
New	

## CAST IRON IMPELLER B8JPBHS

### Flanged Case

### Mechanical Shaft Seal Construction



Ref	Part Description	Part Number
1	Case, Volute	M15104
2	Impeller (Note 1)	See Table I
7	Ring, Wearing	M15126
13	Seal, Shaft	S32697
14	Sleeve, Shaft (Note 2)	S29517L
24	Locknut, Impeller	S07829
32	Key, Impeller 1/2 x 2-3/8" 150HP	M15123
32A	Key, Impeller 3/8 x 2" 100 & 125HP	M15124
61	Plate, Seal	M15108
69	Washer, Impeller	M15232
71	Bracket	See Table II
119	O-Ring	M15130
800A	Screw, 5/8 - 11 x 1-3/4" (8 rqd.)	S28427
800C	Stud (12 rqd)	M15388
*	Nut, Hex (12 rqd)	S23109
810	Plug, Pipe 1/2 NPT (7 rqd)	S23717
810A	Plug, Pipe	S23714

Ref	Part Description	Part Number
817	Ring, Retaining	S29519
*	Slinger, Water	M15129

\* Not Shown

**Table I**

B/M No.	HP	PH	RPM	Imp. Dia.	Imp. No.
B85773	100	3	1800	12.06"	M15646
B85771	125			12.88"	M15191
B85769	150			13.50"	M15106

**Table II**

HP	PH	Bracket No.	"AK" Fit	"U" Dim.	Motor Frame
100	3	M15114	12.5"	1.625"	404TCZ
125					405TCZ
150	3	M15113	16.0"	2.1875"	444TCY

**NOTE 1:** Impeller kit B85813 includes items 2, 24, 32, 69, 119. Impeller (Ref. 2) is full diameter.

**NOTE 2:** Shaft sleeve kit B85812 includes items 14, 24, 32, 69, 119, adhesive and instruction sheet.