



# TYPE "B" SINGLE STAGE CENTRIFUGAL PUMP Electric Motor Drive

Section	CC
Page	430.2
Date	January 1, 2004
Supersedes 6/1/95	

## CAST IRON IMPELLER

## B10GPBM

### Flanged Case

### Packing Construction

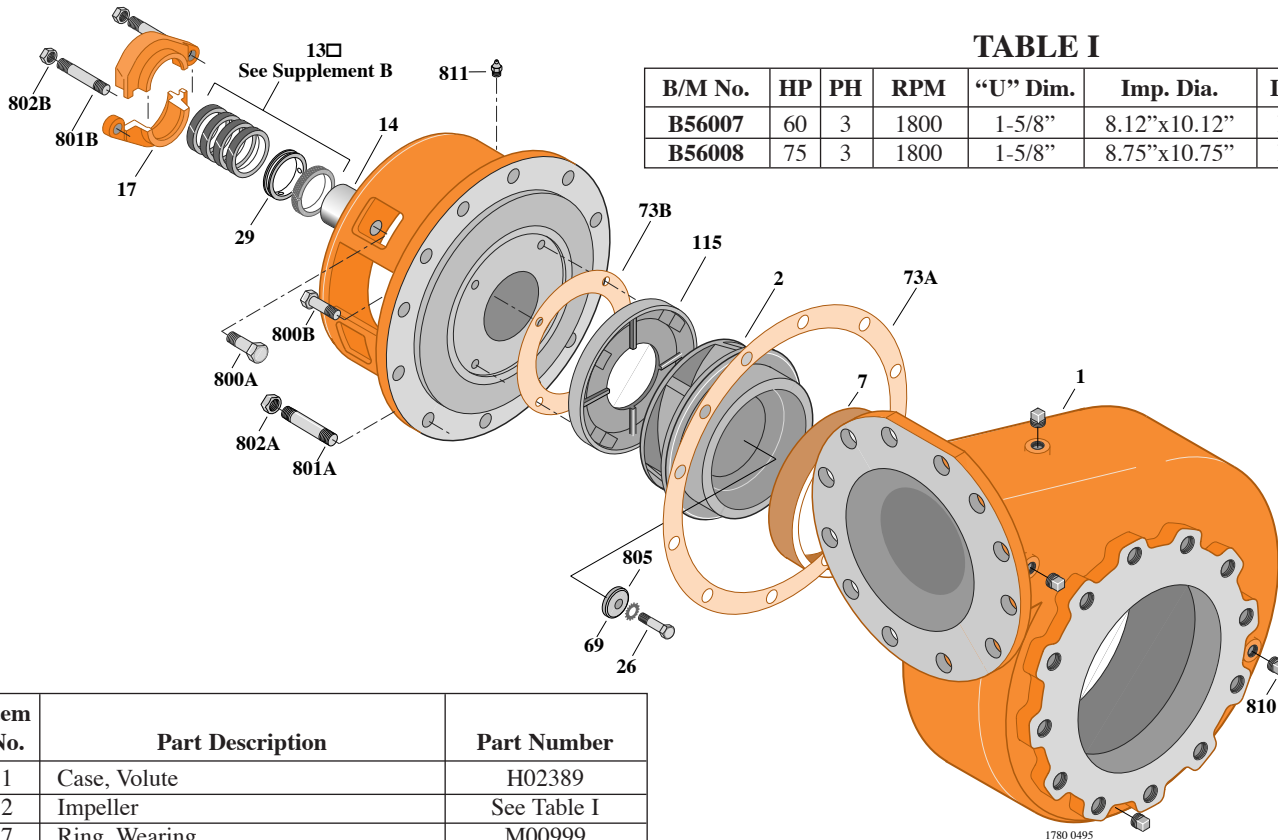


TABLE I

B/M No.	HP	PH	RPM	"U" Dim.	Imp. Dia.	Imp. No.
B56007	60	3	1800	1-5/8"	8.12"x10.12"	L06205
B56008	75	3	1800	1-5/8"	8.75"x10.75"	L06206

Item No.	Part Description	Part Number
1	Case, Volute	H02389
2	Impeller	See Table I
7	Ring, Wearing	M00999
13	Rings, Packing (Set of 4)	S13437
14	Sleeve, Shaft	S07073
17	Gland, Packing	B82471
26	Screw, Impeller 1/2 - 13 x 2-1/2"	S23621
29	Ring, Lantern	S19198
32	Key, 1/4 x 2-1/4" (See Note)	S23677
69	Washer, Impeller	S34492
71	Bracket	See Table II
73A	Gasket, Volute Case	S06271
73B	Gasket, Balance Ring	S09943
115	Ring, Balance	S14065
800A	Capscrew, 5/8 - 11 x 1-3/4" (4 Req.)	S27001
800B	Capscrew, 3/8 - 16 x 1-1/2" (4 Req.)	S26830
801A	Stud, 5/8 - 11 x 2" (12 Req.)	S24060
801B	Stud, 3/8 - 16 x 2-1/2" (2 Req.)	S04438
802A	Nut, Hex 5/8 - 11 (12 Req.)	S23109
802B	Nut, Hex 3/8 - 16 (2 Req.)	S23343
805	Washer, Lock	S23038
810	Plug, Pipe 1/2 NPT (5 Req.)	S23717
811	Fitting, Grease	S23700
812	Elbow, Street	S25421
•	Plug, Pipe 1/4 NPT (2 Req.) (Not Illustrated)	S23715

TABLE II

HP	PH	Bracket No.	"AK" Fit	"U" Dim.	Motor Frame
60	3	H03622	12-1/2"	1-5/8"	364JP
75	3	H03622	12-1/2"	1-5/8"	365JP

**NOTE:** For an explanation of the tabulated material found on this page and for impeller key location, refer to *Supplement A* located at the beginning of this section.