



**TYPE "B" SINGLE STAGE
CENTRIFUGAL PUMP
Electric Motor Drive**

Section	CC
Page	430.3
Date	January 1, 2004
Supersedes 6/1/95	

CAST IRON IMPELLER

B10GPBM

Flanged Case

Packing Construction

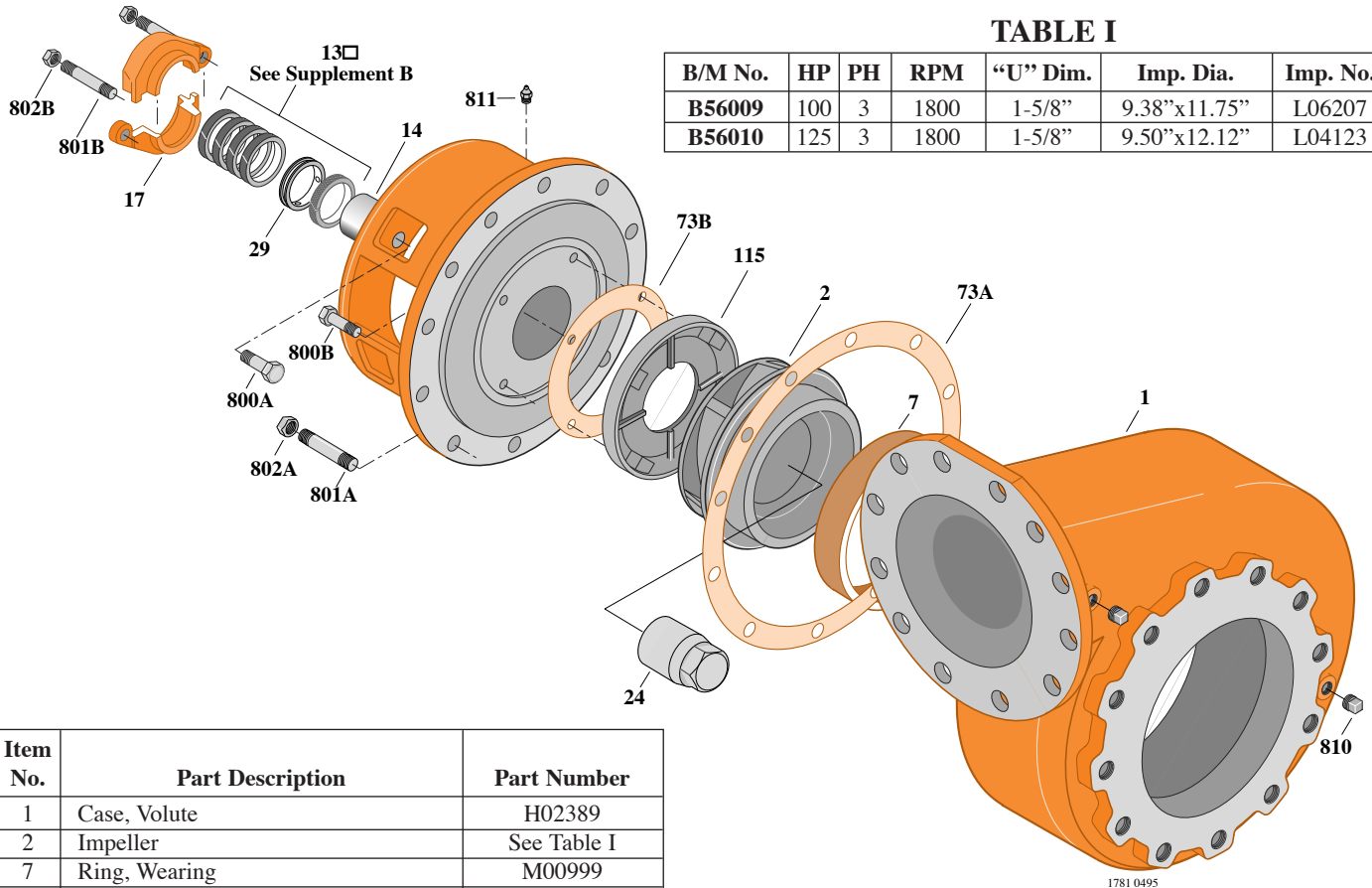


TABLE I

B/M No.	HP	PH	RPM	"U" Dim.	Imp. Dia.	Imp. No.
B56009	100	3	1800	1-5/8"	9.38"x11.75"	L06207
B56010	125	3	1800	1-5/8"	9.50"x12.12"	L04123

Item No.	Part Description	Part Number
1	Case, Volute	H02389
2	Impeller	See Table I
7	Ring, Wearing	M00999
13	Rings, Packing (Set of 4)	S13437
14	Sleeve, Shaft	S07073
17	Gland, Packing	B82471
24	Nut, Impeller	S07829
29	Ring, Lantern	S19198
32	Key, 3/8 x 2-1/4" (See Note)	S23940
71	Bracket	See Table II
73A	Gasket, Volute Case	S06271
73B	Gasket, Balance Ring	S09943
115	Ring, Balance	S14065
800A	Capscrew, 5/8 - 11 x 1-3/4" (4 Req.)	S27001
800B	Capscrew, 3/8 - 16 x 1-1/2" (4 Req.)	S26830
801A	Stud, 5/8 - 11 x 2" (12 Req.)	S24060
801B	Stud, 3/8 - 16 x 2-1/2" (2 Req.)	S04438
802A	Nut, Hex 5/8 - 11 (12 Req.)	S23109
802B	Nut, Hex 3/8 - 16 (2 Req.)	S23343
810	Plug, Pipe 1/2 NPT (5 Req.)	S23717
811	Fitting, Grease	S23700
812	Elbow, Street	S25421
•	Plug, Pipe 1/4 NPT (2 Req.) (Not Illustrated)	S23715

TABLE II

HP	PH	Bracket No.	"AK" Fit	"U" Dim.	Motor Frame
100	3	H03622	12-1/2"	1-5/8"	404TC
125	3	H03622	12-1/2"	1-5/8"	405TC

NOTE: For an explanation of the tabulated material found on this page and for impeller key location, refer to *Supplement A* located at the beginning of this section.