



**TYPE "B" SINGLE STAGE
CENTRIFUGAL PUMP
Electric Motor Drive**

| | |
|-------------------|-----------------|
| Section | CC |
| Page | 430.5 |
| Date | January 1, 2004 |
| Supersedes 6/1/95 | |

CAST IRON IMPELLER

B10GPBMS

Flanged Case

Mechanical Shaft Seal Construction

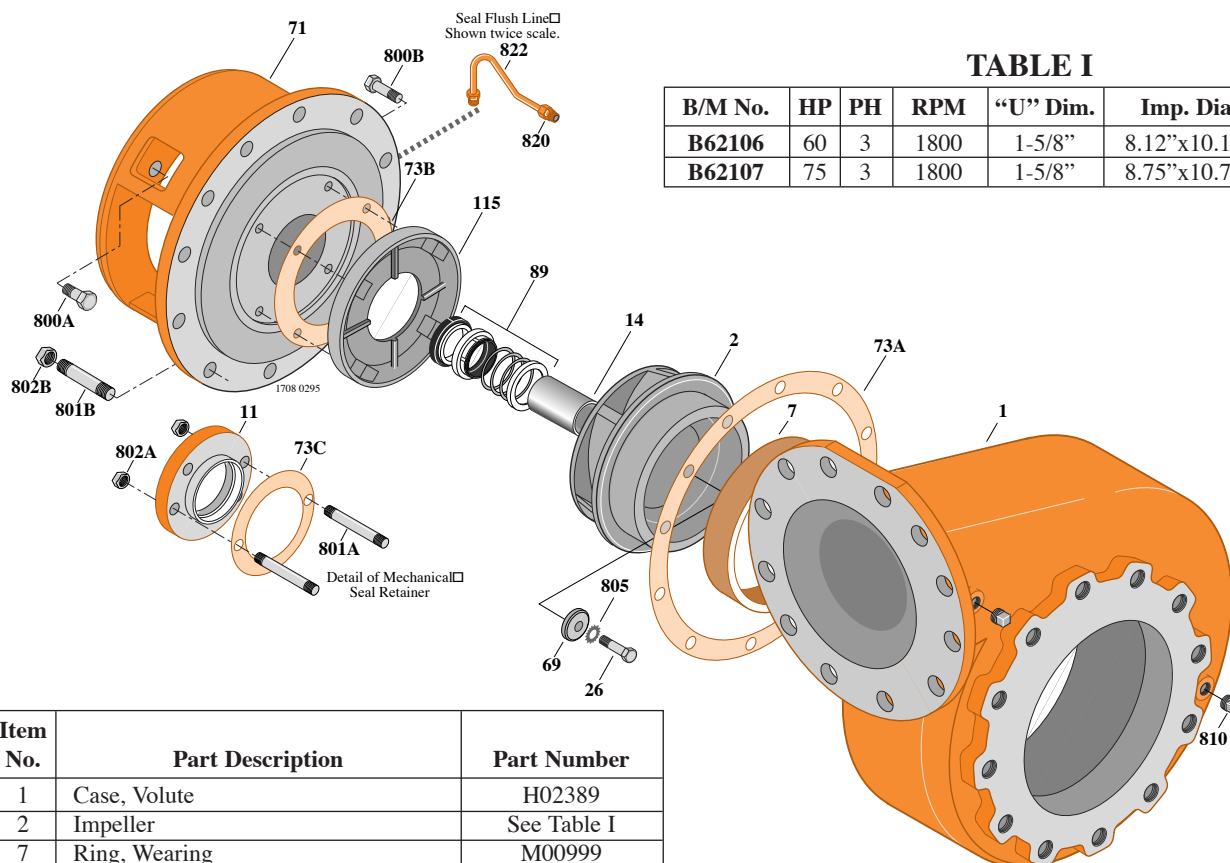


TABLE I

| B/M No. | HP | PH | RPM | "U" Dim. | Imp. Dia. | Imp. No. |
|---------|----|----|------|----------|--------------|----------|
| B62106 | 60 | 3 | 1800 | 1-5/8" | 8.12"x10.12" | L06205 |
| B62107 | 75 | 3 | 1800 | 1-5/8" | 8.75"x10.75" | L06206 |

| Item No. | Part Description | Part Number |
|----------|--------------------------------------|--------------|
| 1 | Case, Volute | H02389 |
| 2 | Impeller | See Table I |
| 7 | Ring, Wearing | M00999 |
| 11 | Retainer, Mechanical Shaft Seal | S15377 |
| 14 | Sleeve, Shaft | S07073 |
| 26 | Screw, Impeller 1/2 - 13 x 1-1/4" | S23621 |
| 32 | Key, 1/4 x 2-1/4" (See Note) | S23677 |
| 69 | Washer, Impeller | S34492 |
| 71 | Bracket | See Table II |
| 73A | Gasket, Volute Case | S06271 |
| 73B | Gasket, Balance Ring | S09943 |
| 73C | Gasket, Seal Retainer | S16411 |
| 89 | Seal, Mechanical Shaft | S32016 |
| 115 | Ring, Balance | S14065 |
| 800A | Capscrew, 5/8 - 11 x 1-3/4" (4 Req.) | S27001 |
| 800B | Capscrew, 3/8 - 16 x 1-1/2" (4 Req.) | S26830 |
| 801A | Stud, 3/8 - 16 x 2-1/2" (2 Req.) | S04438 |
| 801B | Stud, 5/8 - 11 x 2" (12 Req.) | S24060 |
| 802A | Nut, Hex 3/8 - 16 (2 Req.) | S23343 |
| 802B | Nut, Hex 5/8 - 11 (12 Req.) | S23109 |
| 805 | Washer, Lock | S23038 |
| 810 | Plug, Pipe 1/2 NPT (5 Req.) | S23717 |
| 820 | Connector, Comp. Fitting (2 Req.) | S24013 |
| 822 | Tubing, Copper | S20677 |
| • | Plug, Pipe 1/8 NPT (Not Illustrated) | S23714 |
| • | Plug, Pipe 1/4 NPT (Not Illustrated) | S19349 |

TABLE II

| HP | PH | Bracket No. | "AK" Fit | "U" Dim. | Motor Frame |
|----|----|-------------|----------|----------|-------------|
| 60 | 3 | H03936 | 12-1/2" | 1-5/8" | 364JP |
| 75 | 3 | H03936 | 12-1/2" | 1-5/8" | 365JP |

NOTE: For an explanation of the tabulated material found on this page and for impeller key location, refer to *Supplement A* located at the beginning of this section.