



**TYPE "B" SINGLE STAGE  
CENTRIFUGAL PUMP  
Electric Motor Drive**

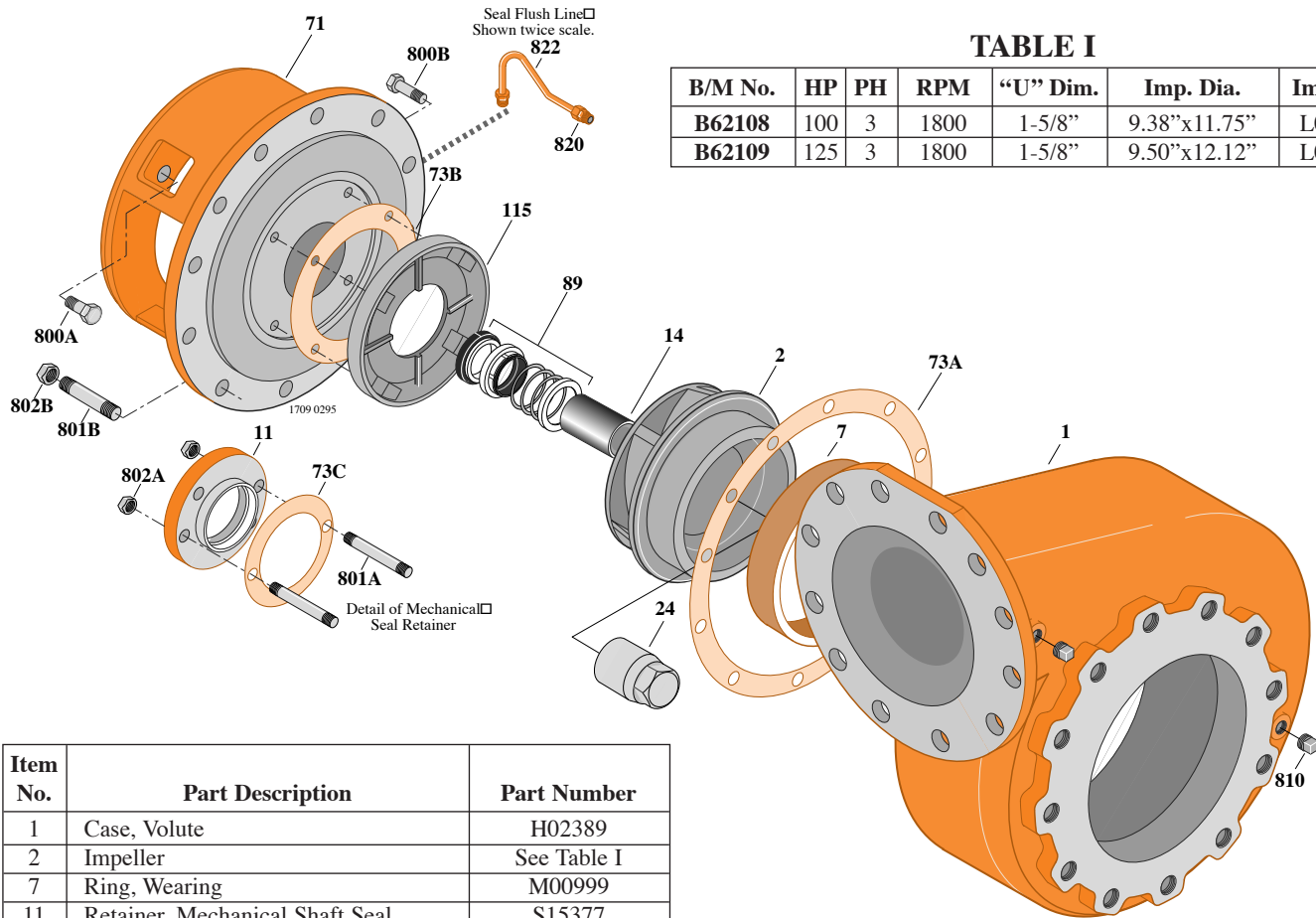
Section	CC
Page	430.6
Date	January 1, 2004
Supersedes 6/1/95	

**CAST IRON IMPELLER**

**B10GPBMS**

**Flanged Case**

**Mechanical Shaft Seal Construction**



**TABLE I**

B/M No.	HP	PH	RPM	"U" Dim.	Imp. Dia.	Imp. No.
B62108	100	3	1800	1-5/8"	9.38"x11.75"	L06207
B62109	125	3	1800	1-5/8"	9.50"x12.12"	L04123

Item No.	Part Description	Part Number
1	Case, Volute	H02389
2	Impeller	See Table I
7	Ring, Wearing	M00999
11	Retainer, Mechanical Shaft Seal	S15377
14	Sleeve, Shaft	S07073
24	Nut, Impeller	S07829
32	Key, 3/8 x 2-1/4" (See Note)	S23940
71	Bracket	See Table II
73A	Gasket, Volute Case	S06271
73B	Gasket, Balance Ring	S09943
73C	Gasket, Seal Retainer	S16411
89	Seal, Mechanical Shaft	S32016
115	Ring, Balance	S14065
800A	Capscrew, 5/8 - 11 x 1-3/4" (4 Req.)	S27001
800B	Capscrew, 3/8 - 16 x 1-1/2" (4 Req.)	S26830
801A	Stud, 3/8 - 16 x 2-1/2" (2 Req.)	S04438
801B	Stud, 5/8 - 11 x 2" (12 Req.)	S24060
802A	Nut, Hex 3/8 - 16 (2 Req.)	S23343
802B	Nut, Hex 5/8 - 11 (12 Req.)	S23109
810	Plug, Pipe 1/2 NPT (5 Req.)	S23717
820	Connector, Comp. Fitting (2 Req.)	S24013
822	Tubing, Copper	S20677
•	Plug, Pipe 1/8 NPT (Not Illustrated)	S23714
•	Plug, Pipe 1/4 NPT (Not Illustrated)	S19349

**TABLE II**

HP	PH	Bracket No.	"AK" Fit	"U" Dim.	Motor Frame
100	3	H03936	12-1/2"	1-5/8"	404TC
125	3	H03936	12-1/2"	1-5/8"	405TC

**NOTE:** For an explanation of the tabulated material found on this page and for impeller key location, refer to *Supplement A* located at the beginning of this section.