



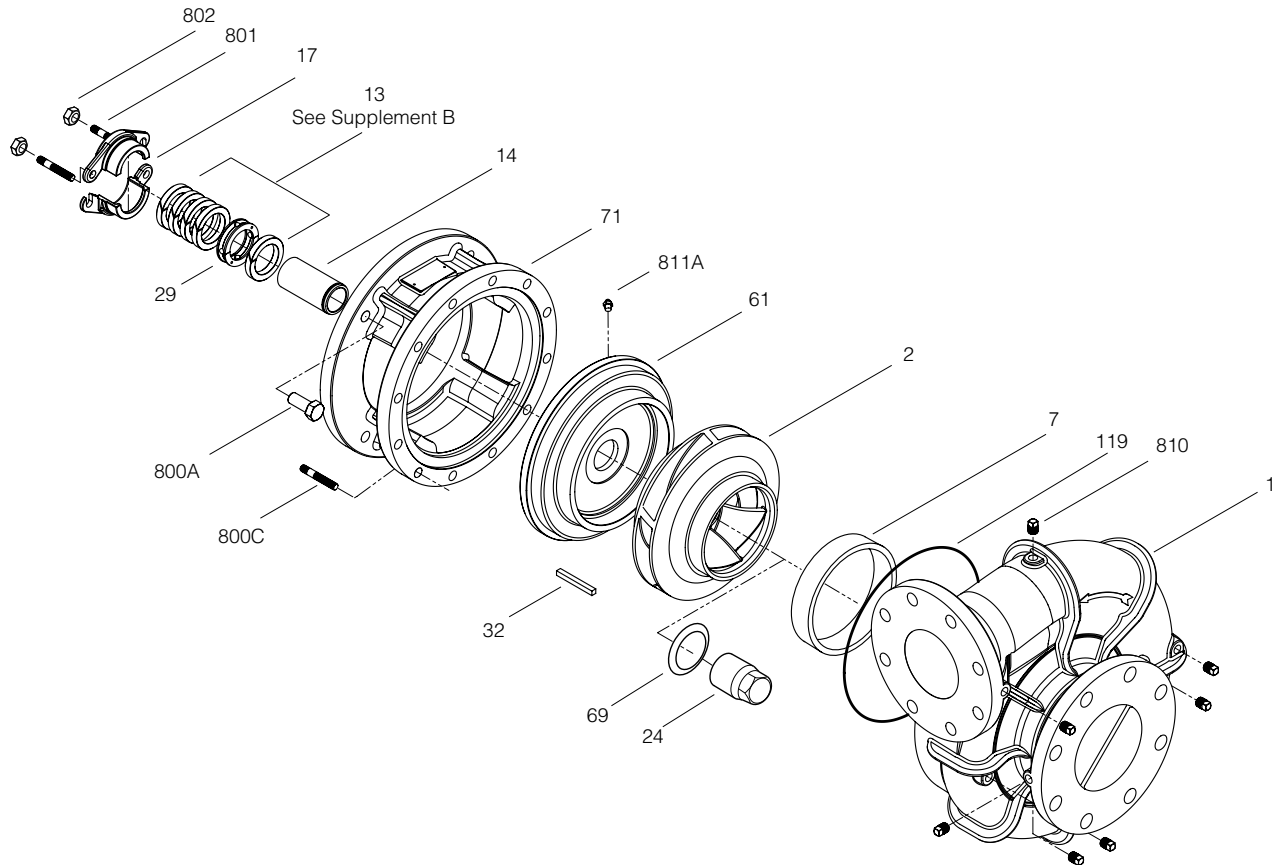
Type "B" Single Stage Centrifugal Pump Electric Motor Drive

Section	CC
Page	440.1.1
Date	June 1, 2011
	New

CAST IRON IMPELLER B10JPBH

Flanged Case

Packing Construction



Ref	Part Description	Part Number
1	Case, Volute	M15103
2	Impeller (Note 1)	See Table I
7	Ring, Wearing	M15125
13	Rings, Packing (Set of 5)	S16448
14	Sleeve, Shaft (Note 2)	S29517L
17	Gland, Packing (2 rqd)	M05311
24	Locknut, Impeller	S07829
29	Ring, Lantern	S14330
32	Key, Impeller 1/2 x 2-3/4"	M15123
61	Plate, Seal	M15110
69	Washer, Impeller	M15232
71	Bracket	See Table II
119	O-Ring	M15130
800A	Capscrew, 5/8 - 11 x 1-3/4" (8 rqd)	S28427
800C	Stud (12 rqd)	M15388
*	Nut, Hex (12 rqd)	S23490
801	Stud, 3/8 - 16 x 2-1/2" (2 rqd)	S24358

Ref	Part Description	Part Number
802	Nut, Hex, Lock, 3/8 - 16 (2 rqd)	S23347
810	Plug, Pipe	S23717
811A	Fitting, Grease	S23700
*	Slinger, Water	M15129

* Not shown

Table I

B/M No.	HP	PH	RPM	Imp. Dia.	Imp. No.
B85760	150	3	1800	12.50"	M15622
B85758	200			13.50"	M15105

Table II

HP	PH	Bracket No.	"AK" Fit	"U" Dim.	Motor Frame
150	3	M15113	16.00"	2.1875"	444TY
200					445TY

NOTE 1: Impeller kit B85810 includes items 2, 24, 32, 69, 119. Impeller (Ref. 2) is full diameter.

NOTE 2: Shaft sleeve kit B85812 includes items 14, 24, 32, 69, 119, adhesive and instruction sheet.