



# Type "B" Single Stage Centrifugal Pump Electric Motor Drive

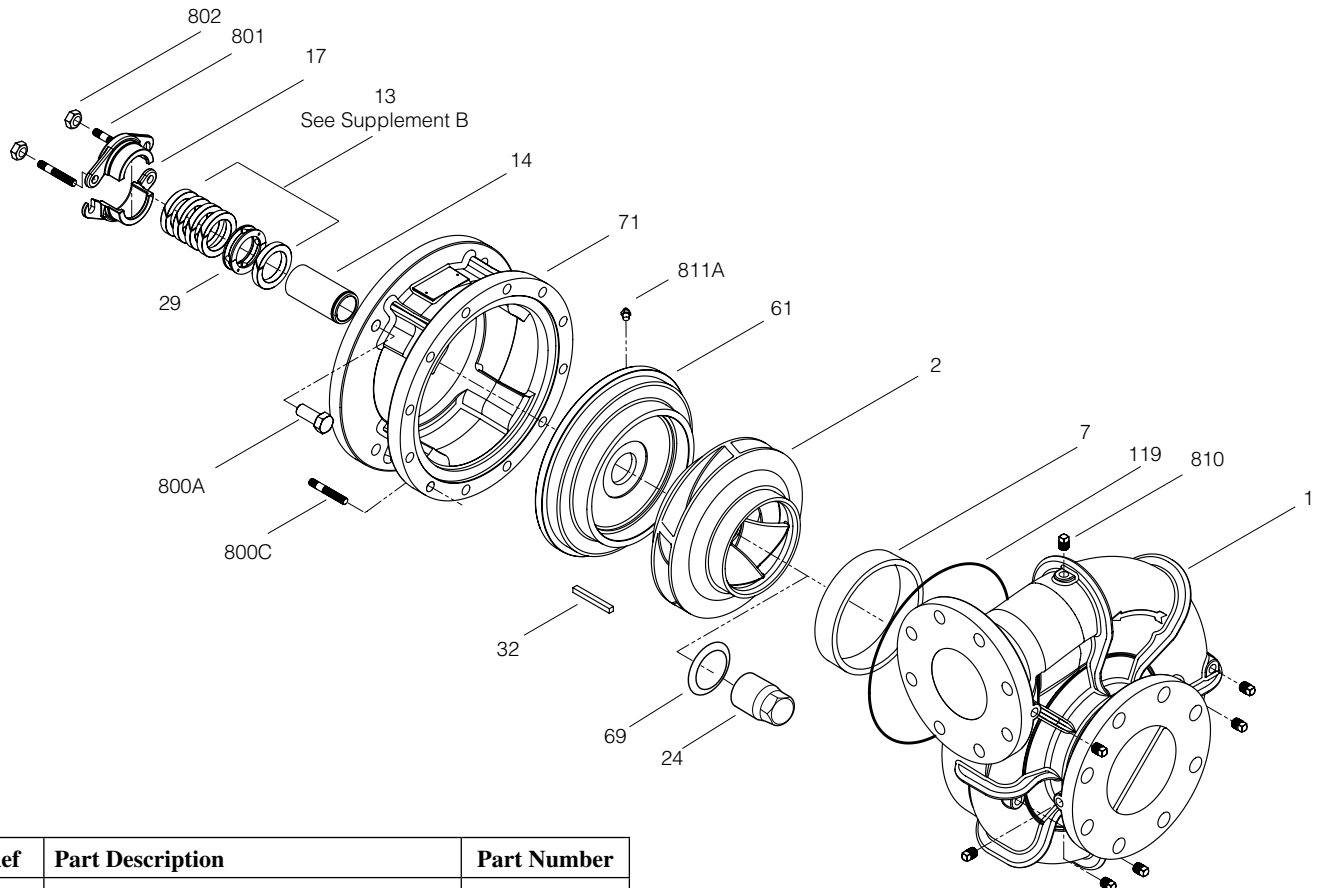
Section	CC
Page	440.1.2
Date	June 1, 2011
	New

## CAST IRON IMPELLER

## B10JPBH

### Flanged Case

### Packing Construction



Ref	Part Description	Part Number
1	Case, Volute	M15103
2	Impeller (Note 1)	See Table I
7	Ring, Wearing	M15125
13	Rings, Packing (Set of 5)	S13437
14	Sleeve, Shaft (Note 2)	M15120
17	Gland, Packing (2 rqd)	M13598
24	Locknut, Impeller	S07829
29	Ring, Lantern	S19198
32	Key, Impeller 3/8 x 3/8 x 2"	M15124
61	Plate, Seal	M15222
69	Washer, Impeller	M15232
71	Bracket	See Table II
119	O-Ring	M15130
800A	Screw, 5/8 - 11 x 1-3/4" (8 rqd)	S28427
800C	Stud (12 rqd)	M15388
*	Nut, Hex (12 rqd)	S23490
801	Stud, 3/8 - 16 x 2" (2 rqd)	S24335
802	Nut, Hex, Lock, 3/8 - 16 (2 rqd)	S23343

Ref	Part Description	Part Number
810	Plug, Pipe	S23717
811A	Fitting, Grease	S23700
*	Slinger, Water	M15128

\* Not shown

**Table I**

B/M No.	HP	PH	RPM	Imp. Dia.	Imp. No.
B85764	100	3	1800	11.00"	M15623
B85762	125			11.63"	M15223

**Table II**

HP	PH	Bracket No.	"AK" Fit	"U" Dim.	Motor Frame
100	3	M15114	12.50:	1.625"	404TCZ
125					405TCZ

**NOTE 1:** Impeller kit B85822 includes items 2, 24, 32, 69, 119. Impeller (Ref. 2) is full diameter.

**NOTE 2:** Shaft sleeve kit B85815 includes items 14, 24, 32, 69, 119, adhesive and instruction sheet.