



# Type "B" Single Stage Centrifugal Pump Electric Motor Drive

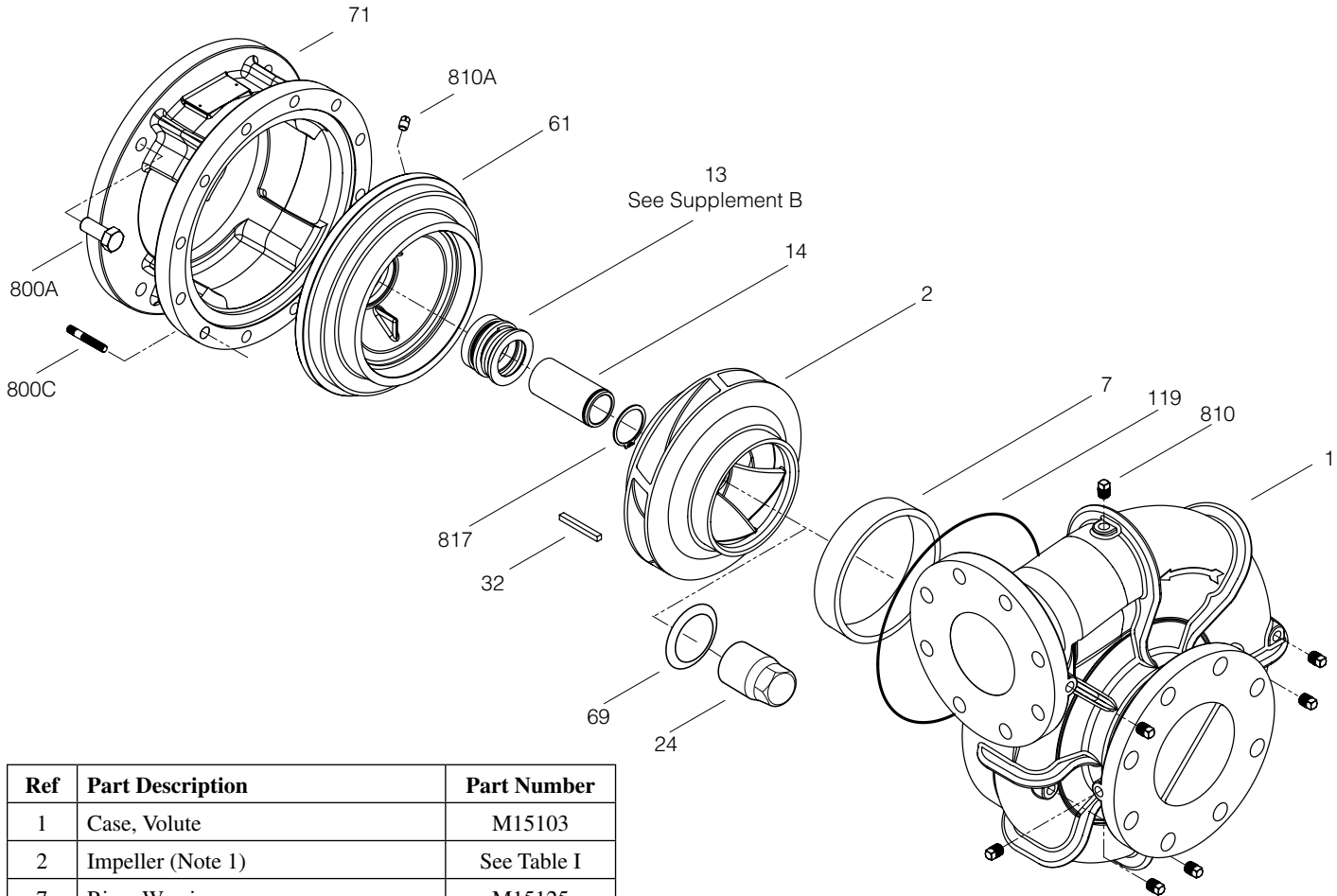
Section	CC
Page	440.2.1
Date	June 1, 2011
	New

## CAST IRON IMPELLER

## B10JPBHS

### Flanged Case

### Mechanical Shaft Seal Construction



Ref	Part Description	Part Number
1	Case, Volute	M15103
2	Impeller (Note 1)	See Table I
7	Ring, Wearing	M15125
13	Seal, Shaft	S32697
14	Sleeve, Shaft (Note 2)	S29517L
24	Locknut, Impeller	S07829
32	Key, 3/8 x 3/8 x 2"	M15124
61	Plate, Seal	M15107
69	Washer, Impeller	M15232
71	Bracket	See Table II
119	O-Ring	M15130
800A	Screw, 5/8 - 11 x 1-1/2" (8 rqd)	S28427
800C	Stud (12 rqd)	M15388
*	Nut, Hex (12 rqd)	S23490
810	Plug, Pipe 1/2 NPT	S23717
810A	Plug, Pipe	S23714
817	Ring, Retaining	S29519
*	Slinger, Water	M15129

\* Not Shown

Table I

B/M No.	HP	PH	RPM	Imp. Dia.	Imp. No.
B85761	150	3	1800	12.50"	M15622
B85759	200			13.50"	M15105

Table II

HP	PH	Bracket No.	"AK" Fit	"U" Dim.	Motor Frame
150	3	M15113	16.00"	2.1875"	444TY
200					445TY

**NOTE 1:** Impeller kit B85810 includes items 2, 24, 32, 69, 119. Impeller (Ref. 2) is full diameter.

**NOTE 2:** Shaft sleeve kit B85812 includes items 14, 24, 32, 69, 119, adhesive and instruction sheet.