



Type "B" Single Stage  
Centrifugal Pump  
Electric Motor Drive

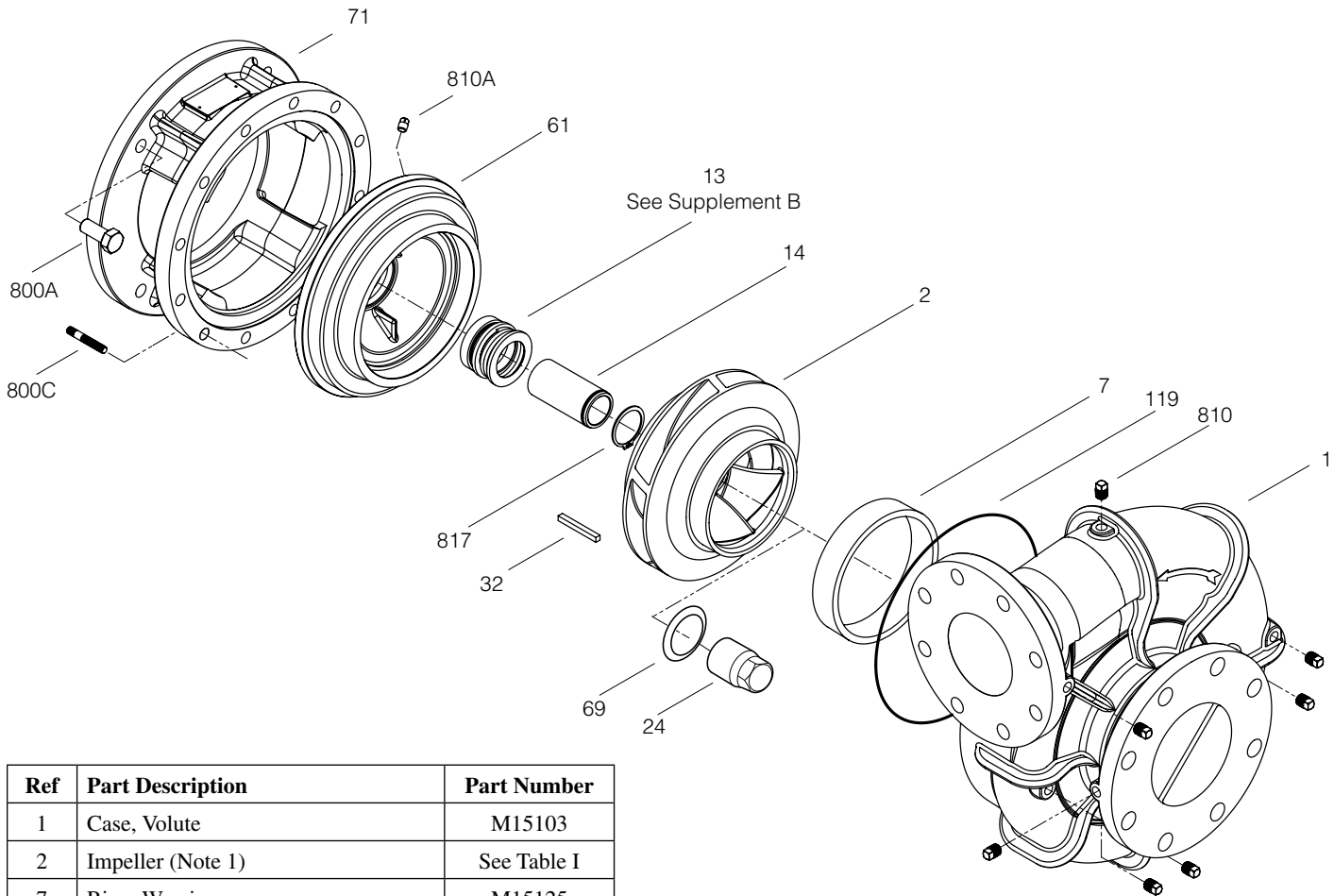
Section	CC
Page	440.2.2
Date	June 1, 2011
	New

**CAST IRON IMPELLER**

**B10JPBHS**

**Flanged Case**

**Mechanical Shaft Seal Construction**



Ref	Part Description	Part Number
1	Case, Volute	M15103
2	Impeller (Note 1)	See Table I
7	Ring, Wearing	M15125
13	Seal, Shaft	S32016
14	Sleeve, Shaft (Note 2)	M15120
24	Locknut, Impeller	S07829
32	Key, 3/8 x 3/8 x 2"	M15124
61	Plate, Seal	M15221
69	Washer, Impeller	M15232
71	Bracket	See Table II
119	O-Ring	M15130
800A	Capscrew, 5/8 - 11 x 1-1/2" (8 rqd)	S28427
800C	Stud (12 rqd)	M15388
*	Nut, Hex (12 rqd)	S23490
810	Plug, Pipe 1/2 NPT	S23717
810A	Plug, Pipe	S23714
817	Ring, Retaining	M15131
*	Slinger, Water	M15128

**Table I**

B/M No.	HP	PH	RPM	Imp. Dia.	Imp. No.
B85765	100	3	1800	11.00"	M15623
B85763	125			11.63"	M15223

**Table II**

HP	PH	Bracket No.	"AK" Fit	"U" Dim.	Motor Frame
100	3	M15114	12.50:	1.625"	404TCZ
125					405TCZ

**NOTE 1:** Impeller kit B85822 includes items 2, 24, 32, 69, 119. Impeller (Ref. 2) is full diameter.

**NOTE 2:** Shaft sleeve kit B85815 includes items 14, 24, 32, 69, 119, adhesive and instruction sheet.

\* Not Shown

Form No. S4855BK