



Type "B" Single Stage  
Centrifugal Pump  
Electric Motor Drive

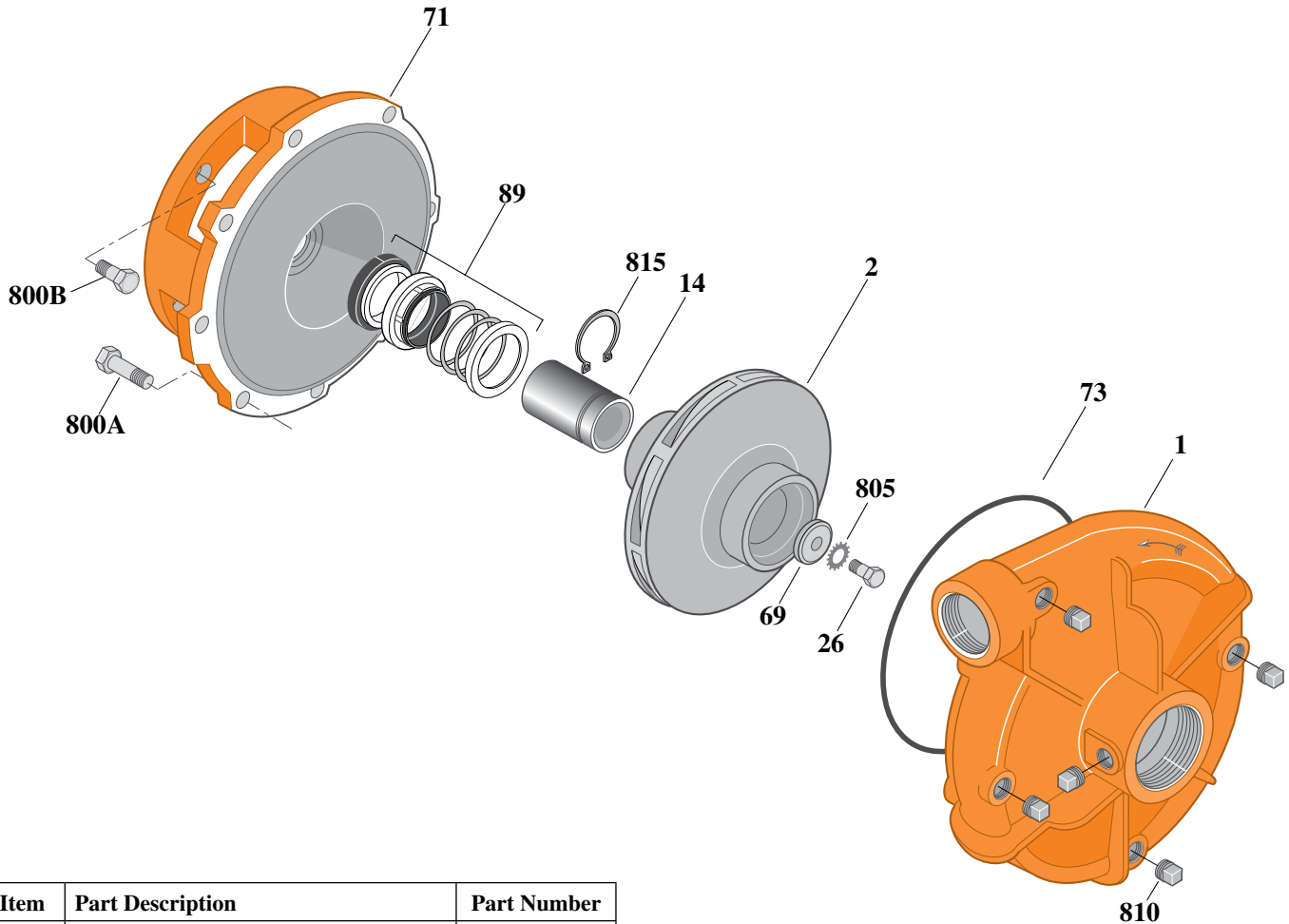
Section	CC
Page	50.7
Date	July 1, 2011
Supersedes 1/1/04	

**SILICON BRONZE IMPELLER**

**B1-1/2ZPHS**

**Threaded Case (NPT)**

**Mechanical Shaft Seal Construction**



Item	Part Description	Part Number
1	Case, Volute	L03075
2	Impeller	See Table I
14	Sleeve, Shaft	S19310L
26	Screw, Impeller 3/8 - 16 x 1"	S23566
32	Key, 3/16 x 1-1/4" (See Note)	S34383
69	Washer, Impeller	S06314
71	Bracket	See Table II
73	Gasket, Volute	S05126
89	Seal, Mechanical Shaft	S32014
800A	Capscrew, 3/8 - 16 x 1-1/8" (8 Req.)	S26827
800B	Capscrew, 1/2 - 13 x 1" (4 Req.)	S26912
805	Washer, Lock	S23036
810	Plug, Pipe 1/4" NPT (5 Req.)	S23715
815	Ring, Retaining	S11207
•	Plug, Pipe 1/8" NPT (In Bracket)	S23714

**Table I**

B/M No.	HP	PH	RPM	"U" Dim.	Imp. Dia.	Imp. No.
B74435	15	3	3600	7/8"	7.94"	H05679

**Table II**

HP	PH	Bracket No.	"AK" Fit	"U" Dim.	Motor Frame
15	3	L05331	8-1/2"	7/8"	215JM

**NOTE 1:** For an explanation of the tabulated material found on this page and for impeller key location, refer to *Supplement A* located at the beginning of this section.

**NOTE 2:** For seal flush line details, see *Supplement D*.

**NOTE 3:** Also accepts gasket S05126 as replacement for o-ring. See *Supplement E* located at the beginning of this section.

• Not illustrated.