



TYPE "B" SINGLE STAGE CENTRIFUGAL PUMP Electric Motor Drive

Section	CC
Page	60.4
Date	January 1, 2004
Supersedes 9/1/1997	

SILICON BRONZE IMPELLER

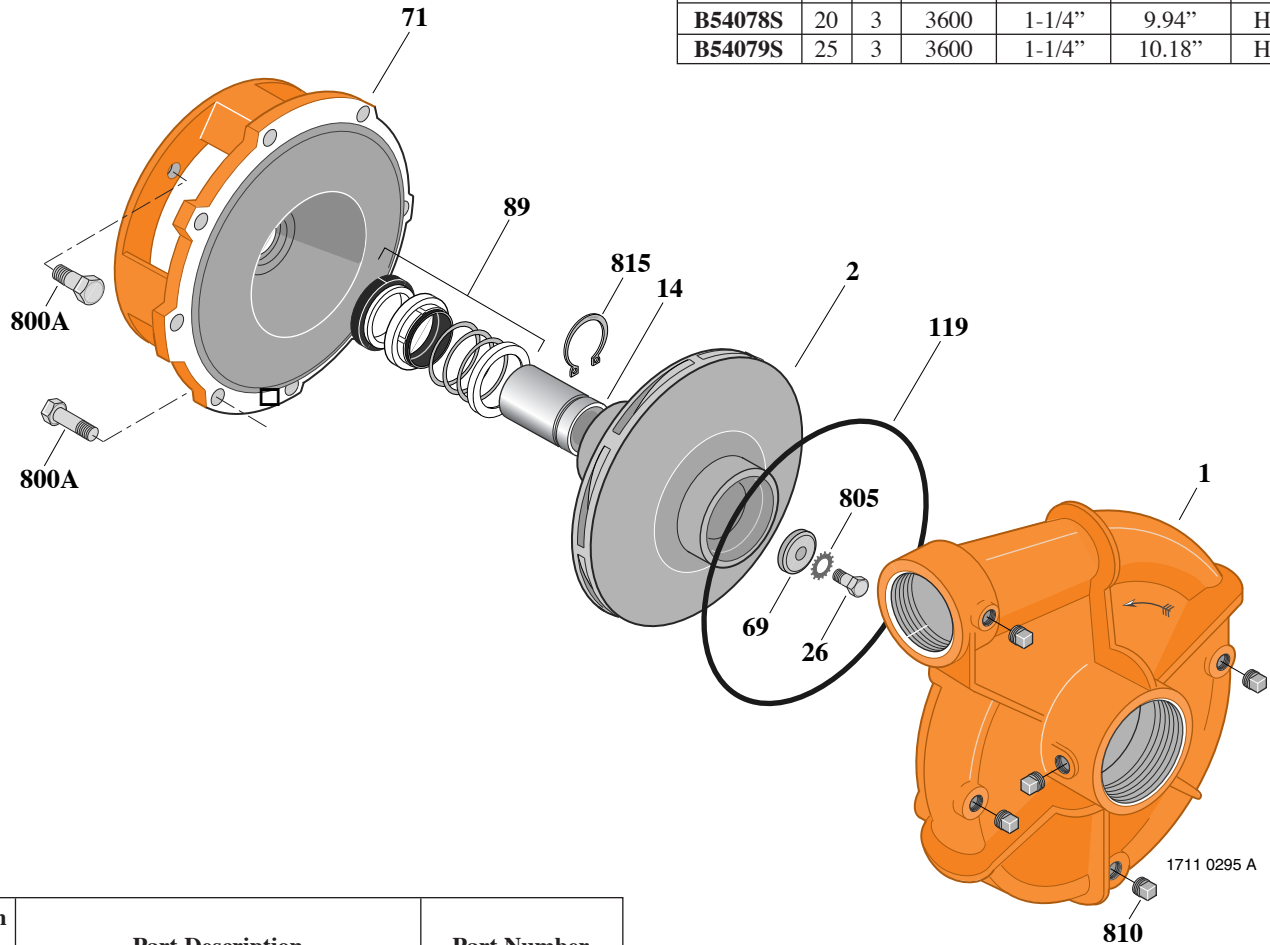
B1-1/2EPLS

Threaded Case (NPT)

Mechanical Shaft Seal Construction

TABLE I

B/M No.	HP	PH	RPM	"U" Dim.	Imp. Dia.	Imp. No.
B54078S	20	3	3600	1-1/4"	9.94"	H05466
B54079S	25	3	3600	1-1/4"	10.18"	H05467



Item No.	Part Description	Part Number
1	Case, Volute	L03093
2	Impeller	See Table I
14	Sleeve, Shaft	S18869
26	Screw, Impeller 1/2 - 13 x 1"	S23619
32	Key, 1/4 x 2-1/4" (See Note)	S23677
69	Washer, Impeller	S12475
71	Bracket	See Table II
89	Seal, Mechanical Shaft	S32015
119	O-Ring	S13760
800A	Capscrew, 1/2 - 13 x 1-1/4" (12 Req.)	S26912
805	Washer, Lock	S23038
810	Plug, Pipe 1/4" NPT (6 Req.)	S23715
815	Ring, Retaining	S16767
•	Plug, Pipe 1/8" NPT (In Bracket)	S23714

• Not illustrated.

TABLE II

HP	PH	Bracket No.	"AK" Fit	"U" Dim.	Motor Frame
20	3	L04616	8-1/2"	1-1/4"	254JM
25	3	L04616	8-1/2"	1-1/4"	256JM

NOTE: For an explanation of the tabulated material found on this page and for impeller key location, refer to *Supplement A* located at the beginning of this section.

NOTE: For seal flush line details, see *Supplement D*.