



TYPE "B" SINGLE STAGE CENTRIFUGAL PUMP Electric Motor Drive

Section	CC
Page	70.11
Date	January 1, 2004
Supersedes 9/1/97	

SILICON BRONZE IMPELLER

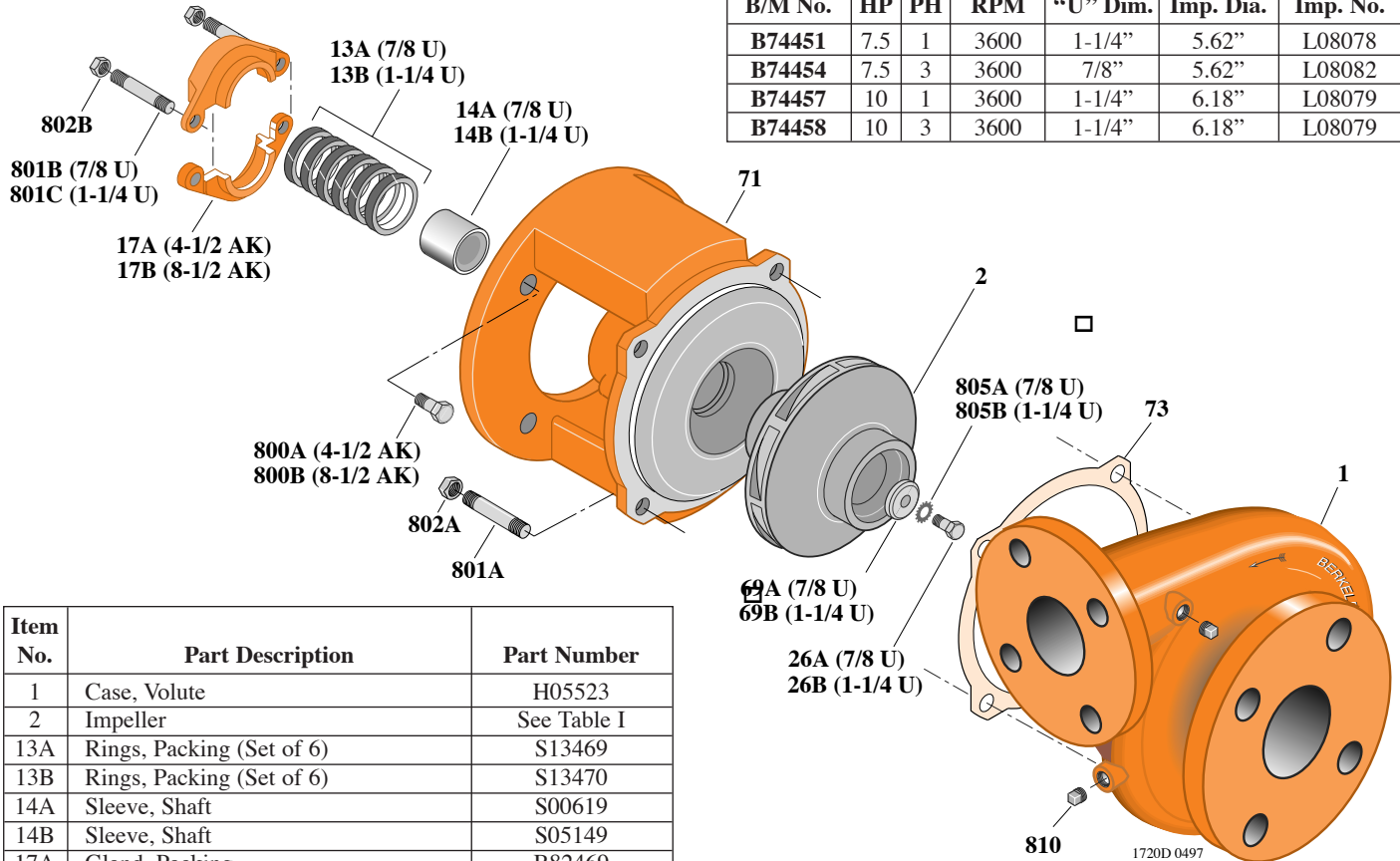
B2TPM

Flanged Case

Packing Construction

TABLE I

B/M No.	HP	PH	RPM	"U" Dim.	Imp. Dia.	Imp. No.
B74451	7.5	1	3600	1-1/4"	5.62"	L08078
B74454	7.5	3	3600	7/8"	5.62"	L08082
B74457	10	1	3600	1-1/4"	6.18"	L08079
B74458	10	3	3600	1-1/4"	6.18"	L08079



Item No.	Part Description	Part Number
1	Case, Volute	H05523
2	Impeller	See Table I
13A	Rings, Packing (Set of 6)	S13469
13B	Rings, Packing (Set of 6)	S13470
14A	Sleeve, Shaft	S00619
14B	Sleeve, Shaft	S05149
17A	Gland, Packing	B82469
17B	Gland, Packing	B82470
26A	Screw, Impeller 3/8 - 16 x 1"	S23566
26B	Screw, Impeller 1/2 - 13 x 1-1/4"	S23621
32A	Key, 3/16 x 1-1/4" (See Note)	S34383
32B	Key, 1/4 x 2-1/4" (See Note)	S23677
69A	Washer, Impeller	S06314
69B	Washer, Impeller	S06317
71	Bracket	See Table II
73	Gasket, Volute	S04757
800A	Capscrew, 3/8 - 16 x 7/8" (4 Req.)	S26825
800B	Capscrew, 1/2 - 13 x 1" (4 Req.)	S26912
801A	Stud, 1/2 - 13 x 1-1/2" (4 Req.)	S24043
801B	Stud, 3/8 - 16 x 4" (2 Req.)	S08303
801C	Stud, 3/8 - 16 x 3-1/2" (2 Req.)	S04441
802A	Nut, Hex 1/2 - 13 (4 Req.)	S23107
802B	Nut, Hex 3/8 - 16 (2 Req.)	S23343
805A	Washer, Lock	S23036
805B	Washer, Lock	S23038
810	Plug, Pipe 1/4" NPT (4 Req.)	S23715

TABLE II

HP	PH	Bracket No.	"AK" Fit	"U" Dim.	Motor Frame
7.5	1	L01951	8-1/2"	1-1/4"	213JP
7.5	3	L01525	4-1/2"	7/8"	184JP
10	1	L01951	8-1/2"	1-1/4"	215JP
10	3	L01951	8-1/2"	1-1/4"	213JP

NOTE: For an explanation of the tabulated material found on this page and for impeller key location, refer to *Supplement A* located at the beginning of this section.