



TYPE "B" SINGLE STAGE CENTRIFUGAL PUMP Electric Motor Drive

Section	CC
Page	70.7
Date	January 1, 2004
Supersedes 9/1/97	

SILICON BRONZE IMPELLER

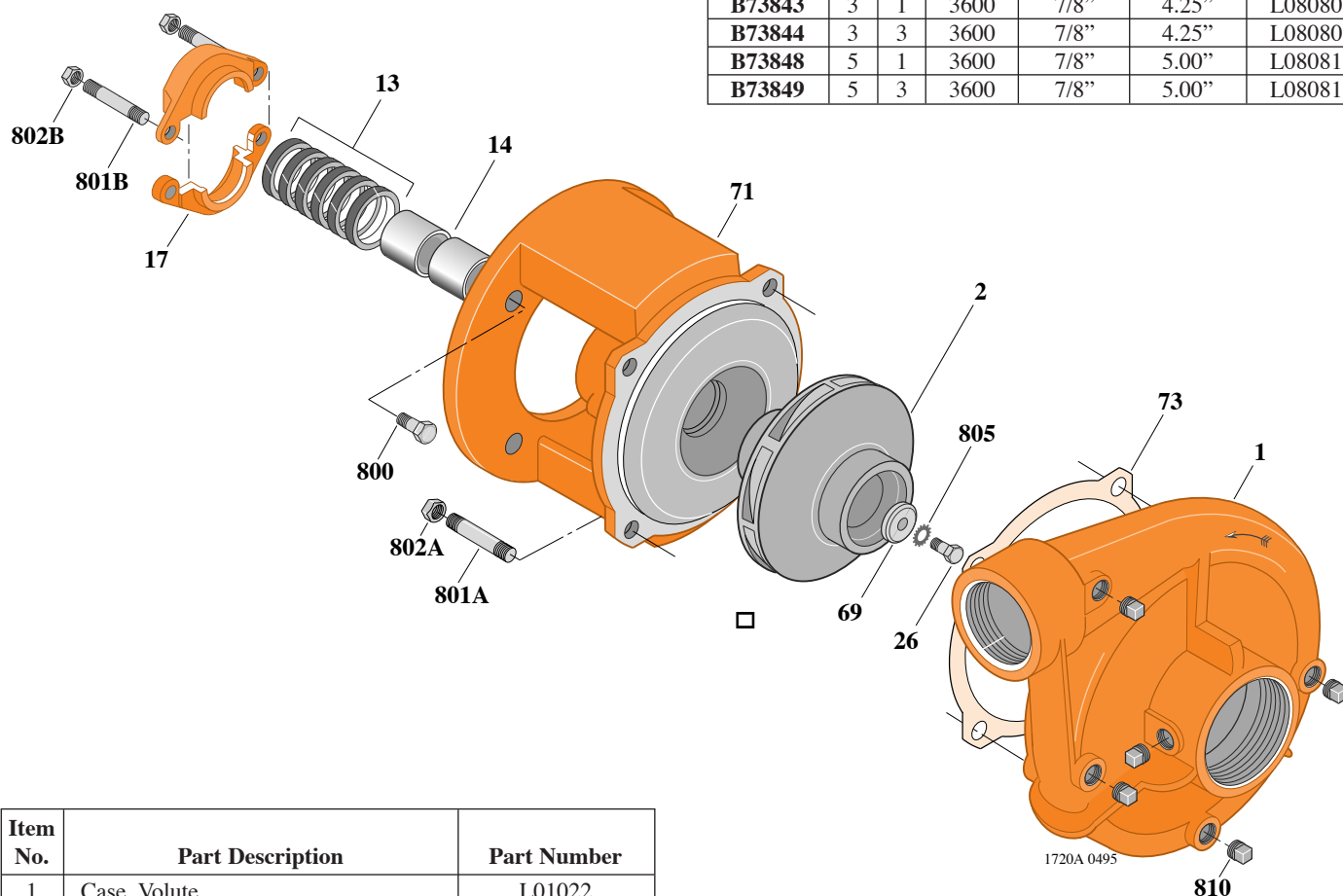
B2TPM

Threaded Case (NPT)

Packing Construction

TABLE I

B/M No.	HP	PH	RPM	"U" Dim.	Imp. Dia.	Imp. No.
B73843	3	1	3600	7/8"	4.25"	L08080
B73844	3	3	3600	7/8"	4.25"	L08080
B73848	5	1	3600	7/8"	5.00"	L08081
B73849	5	3	3600	7/8"	5.00"	L08081



Item No.	Part Description	Part Number
1	Case, Volute	L01022
2	Impeller	See Table I
13	Rings, Packing (Set of 6)	S13469
14	Sleeve, Shaft (2 Req.)	S00619
17	Gland, Packing	B82469
26	Screw, Impeller 3/8 - 16 x 1-1/4"	S23568
32	Key, 3/16 x 1-1/4" (See Note)	S34383
69	Washer, Impeller	S06314
71	Bracket	See Table II
73	Gasket, Volute	S04757
800	Capscrew, 3/8 - 16 x 7/8" (4 Req.)	S26825
801A	Stud, 1/2 - 13 x 1-1/2" (4 Req.)	S24043
801B	Stud, 3/8 - 16 x 4" (2 Req.)	S08303
802A	Nut, Hex 1/2 - 13 (4 Req.)	S23107
802B	Nut, Hex 3/8 - 16 (2 Req.)	S23343
805	Washer, Lock	S23036
810	Plug, Pipe 1/4" NPT (5 Req.)	S23715

TABLE II

HP	PH	Bracket No.	"AK" Fit	"U" Dim.	Motor Frame
3	1	L01525	4-1/2"	7/8"	182JP
3	3	L01525	4-1/2"	7/8"	145JP
5	1	L01525	4-1/2"	7/8"	184JP
5	3	L01525	4-1/2"	7/8"	182JP

NOTE: For an explanation of the tabulated material found on this page and for impeller key location, refer to *Supplement A* located at the beginning of this section.