



TYPE "B" SINGLE STAGE CENTRIFUGAL PUMP Electric Motor Drive

Section	CC
Page	70.9
Date	May 15, 2009
Supersedes 1/1/04	

SILICON BRONZE IMPELLER

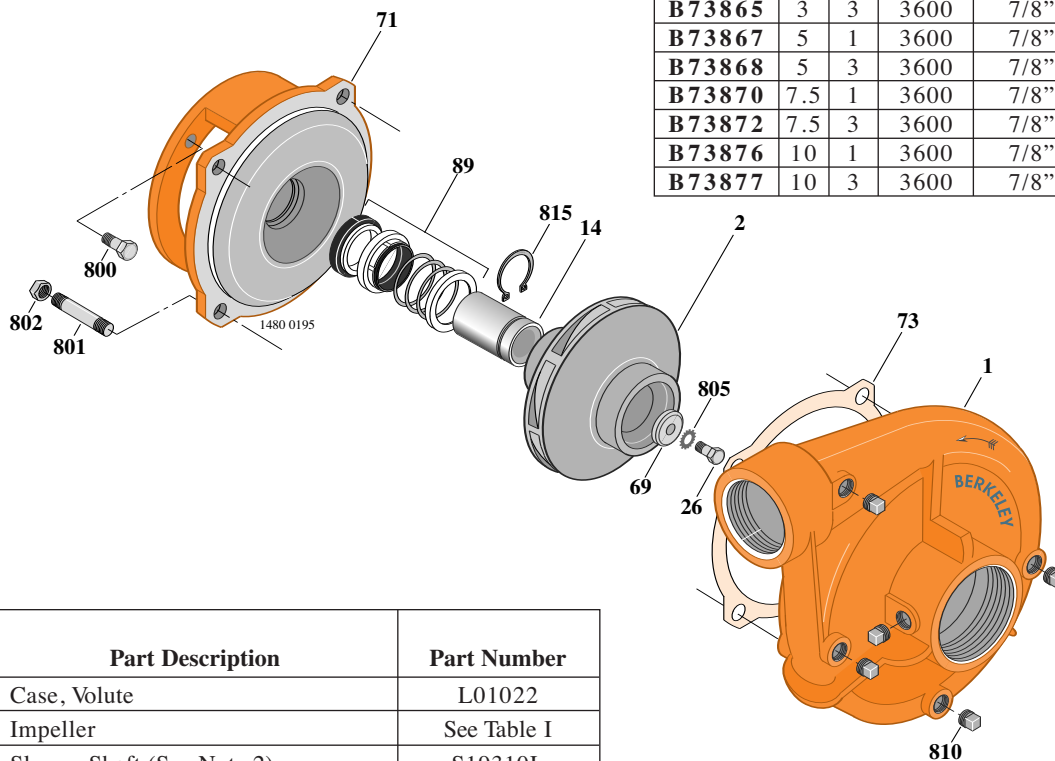
B2TPMS

Threaded Case (NPT)

Mechanical Shaft Seal Construction

TABLE I

B/M No.	HP	PH	RPM	"U" Dim.	Imp. Dia.	Imp. No.
B73864	3	1	3600	7/8"	4.25"	L08080
B73865	3	3	3600	7/8"	4.25"	L08080
B73867	5	1	3600	7/8"	5.00"	L08081
B73868	5	3	3600	7/8"	5.00"	L08081
B73870	7.5	1	3600	7/8"	5.62"	L08082
B73872	7.5	3	3600	7/8"	5.62"	L08082
B73876	10	1	3600	7/8"	6.18"	L08083
B73877	10	3	3600	7/8"	6.18"	L08083



Item No.	Part Description	Part Number
1	Case, Volute	L01022
2	Impeller	See Table I
14	Sleeve, Shaft (See Note 2)	S19310L
26	Screw, Impeller 3/8 - 16 x 1-1/4"	S23568
32	Key, 3/16 x 1-1/4" (See Note 1)	S34383
69	Washer, Impeller	S06314
71	Bracket	See Table II
73	Gasket, Volute	S04757
89	Seal, Mechanical Shaft	S32014
800	Capscrew, 3/8 - 16 x 1" (4 Req.) (For 4-1/2 AK)	S26826
800	Capscrew, 1/2 - 13 x 1" (4 Req.) (For 8-1/2 AK)	S26912
801	Stud, 1/2 - 13 x 1-1/2" (4 Req.)	S24043
802	Nut, 1/2 x 13 (4 Req.)	S23107
805	Washer, Lock	S23036
810	Plug, Pipe 1/4" NPT (5 Req.)	S23715
815	Ring, Retaining	S11207
•	Plug, Pipe 1/8" NPT (In Bracket)	S23714

• Not illustrated.

TABLE II

HP	PH	Bracket No.	"AK" Fit	"U" Dim.	Motor Frame
3	1	L05329	4-1/2"	7/8"	182JM
3	3	L05329	4-1/2"	7/8"	145JM
5	1	L05329	4-1/2"	7/8"	184JM
5	3	L05329	4-1/2"	7/8"	182JM
7.5	1	L05328	8-1/2"	7/8"	213JM
7.5	3	L05329	4-1/2"	7/8"	184JM
10	1	L05328	8-1/2"	7/8"	215JM
10	3	L05328	8-1/2"	7/8"	213JM

NOTE 1: For an explanation of the tabulated material found on this page and for impeller key location, refer to *Supplement A* located at the beginning of this section.

NOTE 2: Sleeve replacement kit available. Berkeley part number B85681 includes the shaft sleeve, adhesive compound and instruction sheet.

NOTE 3: For seal flush line details, see *Supplement D*.