



# Type "B" Single Stage Centrifugal Pump Electric Motor Drive

Section	CC
Page	80.2
Date	July 1, 2011
Supersedes 1/1/04	

## CAST IRON IMPELLER B2ZPLS

Threaded Case (NPT)

Mechanical Shaft Seal Construction

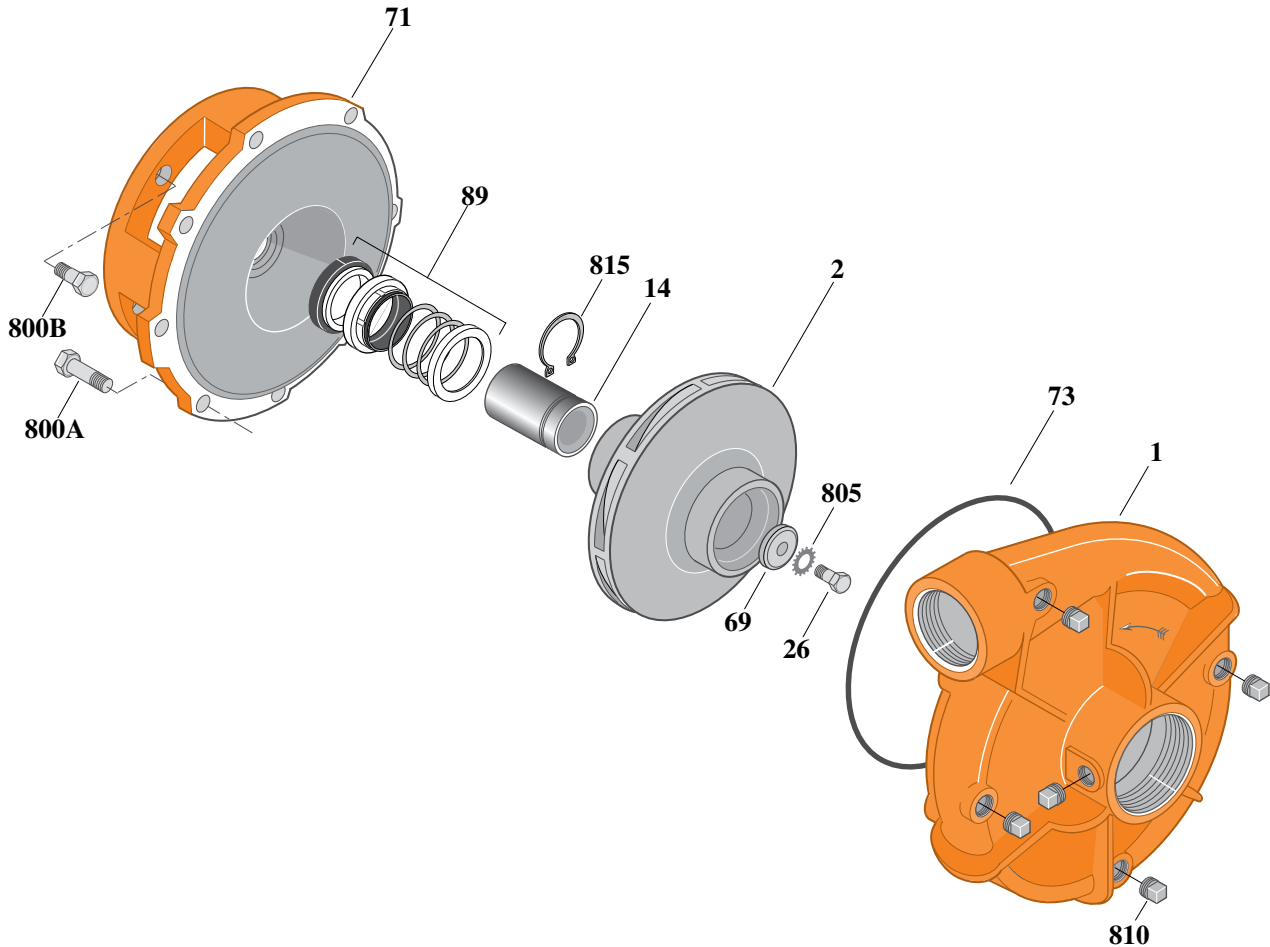


Table I

Item	Part Description	Part Number
1	Case, Volute	L01026
2	Impeller	See Table I
14	Sleeve, Shaft	S19310L
26	Screw, Impeller 3/8 - 16 x 1"	S23566
32	Key, 3/16 x 1-1/4" (See Note 1)	S34383
69	Washer, Impeller	S06314
71	Bracket	See Table II
73	O-Ring (See Note 2)	M14943
89	Seal, Mechanical Shaft	S32014
800A	Capscrew, 3/8 - 16 x 1" (8 Req.)	S26826
800B	Capscrew, 1/2 - 13 x 1" (4 Req.)	S26912
805	Washer, Lock	S23036
810	Plug, Pipe 1/4 NPT (5 Req.)	S23715
815	Ring, Retaining	S11207

B/M No.	HP	PH	RPM	"U" Dim.	Imp. Dia.	Imp. No.
B55562	10	1	3600	7/8"	7.56"	M07761
B55563	10	3	3600	7/8"	7.56"	M07761
B59742	10	1	3600	7/8"	7.56"	M07761
B77618	10	1	3600	7/8"	7.56"	M07761
B55564	15	3	3600	7/8"	8.31"	M07762

Table II

HP	PH	Bracket No.	"AK" Fit	"U" Dim.	Motor Frame
10	1	L05331	8-1/2"	7/8"	215JM
10	3	L05331	8-1/2"	7/8"	213JM
15	3	L05331	8-1/2"	7/8"	215JM

**NOTE 1:** For an explanation of the tabulated material found on this page and for impeller key location, refer to *Supplement A* located at the beginning of this section.

**NOTE 2:** Also accepts gasket S05126 as replacement for o-ring. See *Supplement E* located at the beginning of this section.