

BALDOR® • **RELIANCE**

Product Information Packet

CEM7063T

25//20HP,3520//2930RPM,3PH,60//50HZ,284T

Part Detail							
Revision:	N	Status:	PRD/A	Change #:		Proprietary:	No
Type:	AC	Prod. Type:	1038M	Elec. Spec:	10WGY777	CD Diagram:	CD0180
Enclosure:	XPFC	Mfg Plant:		Mech. Spec:	10E459	Layout:	10LYE459
Frame:	284TSC	Mounting:	F1	Poles:	02	Created Date:	06-10-2010
Base:	RG	Rotation:	R	Insulation:	F	Eff. Date:	12-15-2015
Leads:	9#10					Replaced By:	
Literature:		Elec. Diagram:					

Nameplate NP1426XPSLEV	
NO.	<input type="text"/> CC <input type="text"/> 010A
SER.	<input type="text"/>
SPEC.	10E459Y777G1
CAT.NO.	CEM7063T
HP	25//20 T. CODE <input type="text"/> T3C
VOLTS	230/460//190/380
AMPS	57/28.5//56/28
RPM	3520//2930
HZ	60//50 PH <input type="text"/> 3 CL <input type="text"/> F
SER.F.	1.00 DES <input type="text"/> B CODE <input type="text"/> G
RATING	40C AMB-CONT
FRAME	284TSC NEMA-NOM-EFF <input type="text"/> 91.7
USABLE AT 208V	PF <input type="text"/> 89
BLANK	<input type="text"/>

Parts List		
Part Number	Description	Quantity
SA198376	SA 10E459Y777G1	1.000 EA
RA185744	RA 10E459Y777G1	1.000 EA
37FN3002C03	EXFN, PLASTIC, 6.00 OD, 1.690 ID	1.000 EA
12CB1001A01	K.O.BOX, MACH X-PROOF, 1.50 NPT HOLE	1.000 EA
10XN3118K16	5/16-18 X 1' GRADE #5, STL, ZINC PLATE	4.000 EA
HW1001A31	LOCKWASHER 5/16, ZINC PLT.591 OD, .319 I	4.000 EA
WD1000B16	T&B CX70TN TERMINAL	1.000 EA
10XN2520K06	1/4-20 X 3/8" HX HD SCREWGRADE 5, ZINC P	1.000 EA
HW1001A25	LOCKWASHER 1/4, ZINC PLT .493 OD, .255 I	1.000 EA
10EP1701A01	FR ENDPLATE, MACH	1.000 EA
HA3050A03	3/8-16 X 2.25" GRADE 8 BOLT	4.000 EA
HW1001A38	LOCKWASHER 3/8, ZINC PLT .688 OD, .382 I	4.000 EA
HW5100A11	W3917-042 WVY WSHR (WB)	1.000 EA
10XN2520K40	1/4-20 X 2-1/2 HEX HD CAPSCREW, GRADE 5,Z	4.000 EA
HW1001A25	LOCKWASHER 1/4, ZINC PLT .493 OD, .255 I	4.000 EA
10EP1710A07	FACE MTD. E.P., MACH X-PROOF W/LABYRINTH	1.000 EA
HA3050A03	3/8-16 X 2.25" GRADE 8 BOLT	4.000 EA
HW1001A38	LOCKWASHER 3/8, ZINC PLT .688 OD, .382 I	4.000 EA
10FH1008A01	310 FAN HOUSING X-PROOF MACH.	1.000 EA
10XN3118K12	5/16-18 X .75 GRADE 5, ZINC PLATED	3.000 EA
HW1001A31	LOCKWASHER 5/16, ZINC PLT.591 OD, .319 I	3.000 EA
12CB1501A01	COND.BOX LID, MACH., X-PROOF, 310,312	1.000 EA
10XN3816K20	3/8-16 X 1.25 HEX HD CAP GRADE 5	6.000 EA
HW1001A38	LOCKWASHER 3/8, ZINC PLT .688 OD, .382 I	6.000 EA

Parts List (continued)		
Part Number	Description	Quantity
HW2501G17	KEY, 3/8 SQ X 1.875	1.000 EA
LB1115N	LABEL,LIFTING DEVICE (ON ROLLS)	1.000 EA
LB1073	ALUM XP CAUTION LABEL	1.000 EA
MN416A01	TAG-INSTAL-MAINT no wire (1200/bx) 11/14	1.000 EA
WD4100A03	DE-750 HEYCO PLUG 62MP0750 MICRO PLASTIC	1.000 EA
HW4500A20	1/8NPT SL PIPE PLUG	2.000 EA
MJ1000A02	GREASE, POLYREX EM EXXON (USe 4824-15A)	0.130 LB
HW4500A20	1/8NPT SL PIPE PLUG	2.000 EA
HW2500A25	WOODRUFF KEY USA #1008 #BLOW CARBON STEE	1.000 EA
51XB1214A20	12-14X1.25 HXWSSLD SERTYB	1.000 EA
MG1025G05	WILKOFASST, 789.227, MED. GRAY CHAR. MET.	0.125 GA
85XU0407S04	4X1/4 U DRIVE PIN STAINLESS	6.000 EA
LB1119N	WARNING LABEL	1.000 EA
LC0181	CONNECTION LABEL	1.000 EA
NP1426XPSLEV	SS XP UL CSA-EEV CC CL-I GP-D	1.000 EA
12PA1000	PACKAGING GROUP PRINT PK1024A06	1.000 EA

AC Induction Motor Performance Data

Record # 31465 - Typical performance - not guaranteed values

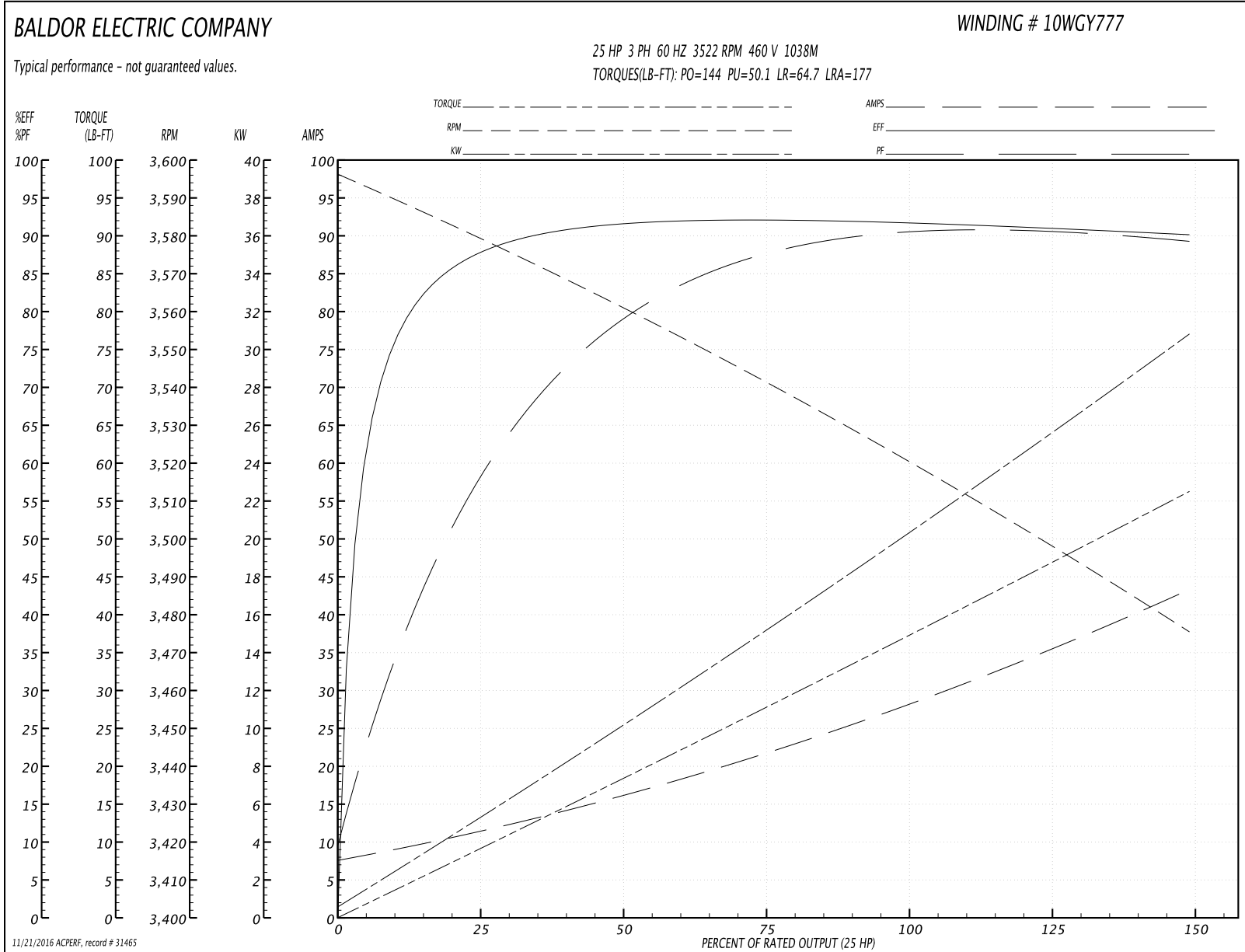
Winding: 10WGY777-R001	Type: 1038M	Enclosure: XPFC
-------------------------------	--------------------	------------------------

Nameplate Data				460 V, 60 Hz: High Voltage Connection	
Rated Output (HP)	25//20			Full Load Torque	37.4 LB-FT
Volts	230/460//190/380			Start Configuration	direct on line
Full Load Amps	57/28.5//56/28			Breakdown Torque	144 LB-FT
R.P.M.	3520//2930			Pull-up Torque	50.1 LB-FT
Hz	60//50	Phase	3	Locked-rotor Torque	64.7 LB-FT
NEMA Design Code	B	KVA Code	G	Starting Current	177 A
Service Factor (S.F.)	1			No-load Current	8.07 A
NEMA Nom. Eff.	91.7	Power Factor	89	Line-line Res. @ 25°C	0.294 Ω
Rating - Duty	40C AMB-CONT			Temp. Rise @ Rated Load	57°C
				Locked-rotor Power Factor	24
				Rotor inertia	1.63 LB-FT ²

Load Characteristics 460 V, 60 Hz, 25 HP

% of Rated Load	25	50	75	100	125	150
Power Factor	61	80	87	89	90	90
Efficiency	87.5	91.5	91.7	91.9	91.1	90
Speed	3576	3561	3543	3522	3499	3474
Line amperes	10.6	15.7	21.7	28.6	35.6	43.1

Performance Graph at 460V, 60Hz, 25.0HP Typical performance - Not guaranteed values



AC Induction Motor Performance Data

Record # 31466 - Typical performance - not guaranteed values

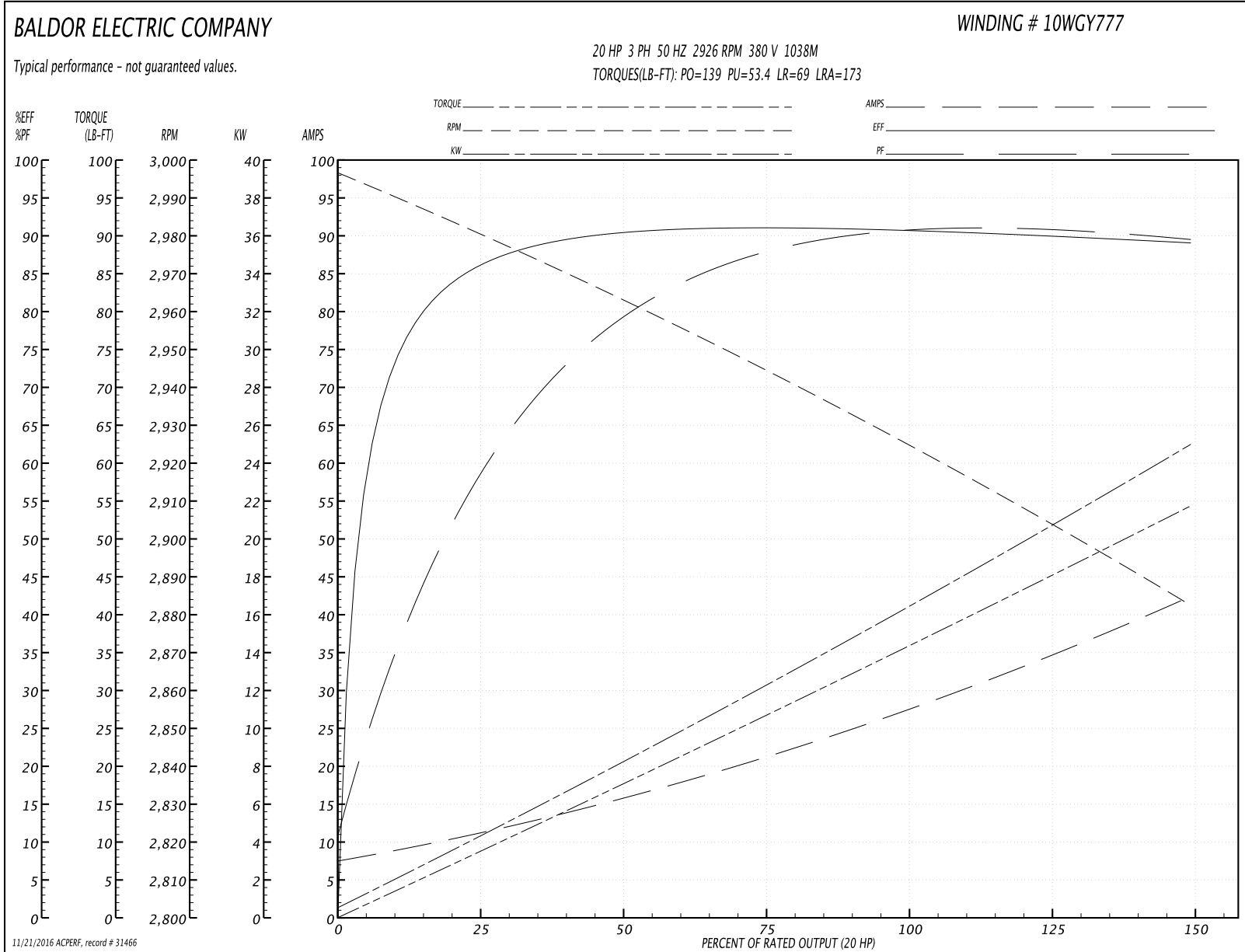
Winding: 10WGY777-R001	Type: 1038M	Enclosure: XPFC
-------------------------------	--------------------	------------------------

Nameplate Data				380 V, 50 Hz: High Voltage Connection	
Rated Output (HP)	25//20			Full Load Torque	36 LB-FT
Volts	230/460//190/380			Start Configuration	direct on line
Full Load Amps	57/28.5//56/28			Breakdown Torque	139 LB-FT
R.P.M.	3520//2930			Pull-up Torque	53.4 LB-FT
Hz	60//50	Phase	3	Locked-rotor Torque	69 LB-FT
NEMA Design Code	B	KVA Code	G	Starting Current	173 A
Service Factor (S.F.)	1			No-load Current	7.96 A
NEMA Nom. Eff.	91.7	Power Factor	89	Line-line Res. @ 25°C	0.294 Ω
Rating - Duty	40C AMB-CONT			Temp. Rise @ Rated Load	55°C
				Locked-rotor Power Factor	27
				Rotor inertia	1.63 LB-FT ²

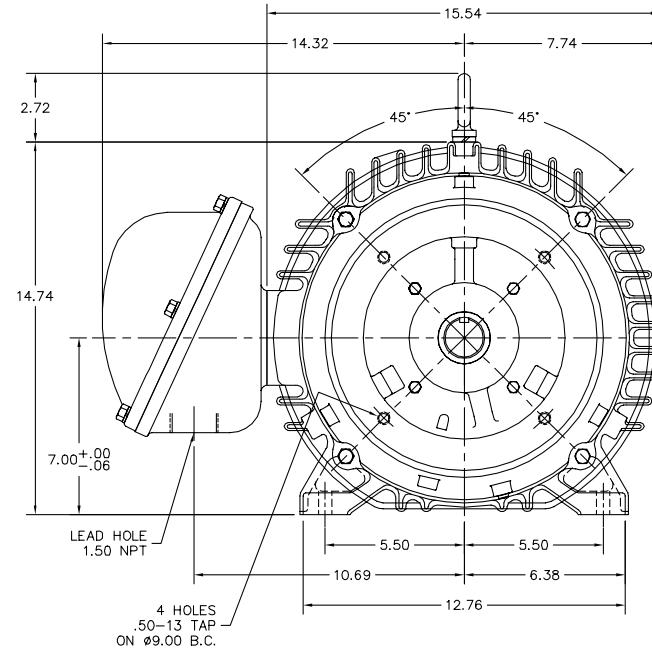
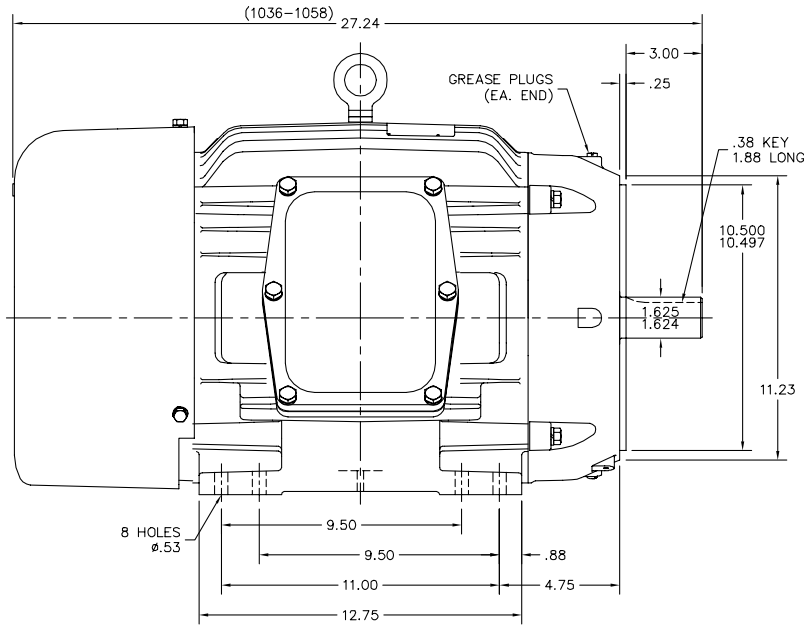
Load Characteristics 380 V, 50 Hz, 20 HP

% of Rated Load	25	50	75	100	125	150
Power Factor	61	80	87	90	90	90
Efficiency	85.6	90.2	90.8	91	90	89
Speed	2978	2963	2946	2926	2905	2881
Line amperes	10.4	15.3	21.2	27.9	34.8	42.2

Performance Graph at 380V, 50Hz, 20.0HP Typical performance - Not guaranteed values



10L YE 459



10L YE 459

CUSTOMER IS RESPONSIBLE FOR DETERMINING THAT BALDOR'S PRODUCT WILL PERFORM SUITABLY IN THE INTENDED APPLICATION.

REV. DESC: CHG LD HL TO 1.50 NPT		
REV. LTR: D	VERSION: 01	TDR: 000000927404
FILE: \AAA\00049\583	REVISED: 02:29:33 06/09/2015	BY: ENCARCO
MTL: -		

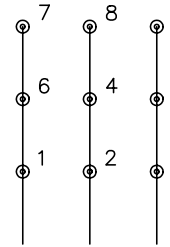
BALDOR

STD HORZ XPFC 284-6TSC CL.I,GP.D;CL.II,GP.F&G
SH 1 of 1

CD0180

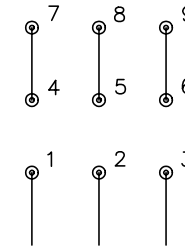


LOW VOLTAGE
(2D)



LINE

HIGH VOLTAGE
(1D)



LINE

NOTES:

1. INTERCHANGE ANY TWO LINE LEADS TO REVERSE ROTATION.
2. OPTIONAL THERMOSTATS ARE PROVIDED WHEN SPECIFIED.
3. ACTUAL NUMBER OF INTERNAL PARALLEL CIRCUITS MAY BE A MULTIPLE OF THOSE SHOWN ABOVE.
4. LEAD COLORS ARE OPTIONAL. LEADS MUST ALWAYS BE NUMBERED AS SHOWN.

REV. DESC: REVISE TO SHOW OPTIONAL COLORS			
REV. LTR: C	BY: JLP	REVISED: 01/21/99 2:28	TDR: 0171435
0810D0		FILE: AAA00005148	MDL: -
		MTL: -	

BALDOR ELECTRIC Co.

3PH, DV, 9 LEADS, DELTA CONNECTION

CD0180