

BALDOR® • ***RELIANCE***

Product Information Packet

CFM3046A

.75HP, 1140RPM, 3PH, 60HZ, 48YZ, 3428M, OPEN

Part Detail							
Revision:	M	Status:	PRD/A	Change #:		Proprietary:	No
Type:	AC	Prod. Type:	3428M	Elec. Spec:	34WGX426	CD Diagram:	CD0007
Enclosure:	OPEN	Mfg Plant:		Mech. Spec:	34J280	Layout:	34LYJ280
Frame:	48YZ	Mounting:	F3	Poles:	06	Created Date:	
Base:	RG	Rotation:	R	Insulation:	B	Eff. Date:	04-25-2016
Leads:	12#18					Replaced By:	
Literature:		Elec. Diagram:					

Nameplate NP1257L										
CAT.NO.	CFM3046A									
SPEC.	34J280X426G1									
HP	.75									
VOLTS	208-230/460									
AMP	3.3-3/1.5									
RPM	1140									
FRAME	48YZ					HZ	60		PH	3
SER.F.	1.00		CODE	K		DES	B		CL	F
NEMA-NOM-EFF	77		PF	59						
RATING	60C AMB-CONT									
CC					USABLE AT 208V	3.6				
DE	6203			ODE	6203					
ENCL	OPEN		SN							

Parts List		
Part Number	Description	Quantity
SA080922	SA 34J280X426G1	1.000 EA
RA074308	RA 34J280X426G1	1.000 EA
TPMYJ64KX	THERMAL 3PH 0.75 AUT 120C	1.000 EA
SP1000A01	TERM BOARD, MODEL 34 SW	1.000 EA
51XT0832A08	8-32 X 1/2 TY23 HXWS SLDSR	3.000 EA
51XW0832G07	8-32 X 7/16 TY23 HXWS SLDSR GR	1.000 EA
34EP3200A01SP	FR ENDPLATE, MACH	1.000 EA
MJ5004A05	#242-21 LOCTITE GENERAL PURPOSE MED. STR	0.010 EA
HW5100A03SP	WAVY WASHER (W1543-017)	1.000 EA
34EP3204B18	FR/PU ENDPLATE, MACH 17 FRAME W/.5 NPT L	1.000 EA
HA6001A01	THERMAL RETAINER (PLATED)	1.000 EA
NS2500A01	INSULATOR, AUTO THER PROT	1.000 EA
51XB1214A10	12-14 X 5/8HX WS SL SR TYBX	2.000 EA
XY1032A02	10-32 HEX NUT DIRECTIONAL SERRATION	4.000 EA
HW2501D41	KEY, 3/16 SQ. X 4.875 TDR#90959 AUTO	1.000 EA
HA7000A04	KEY RETAINER 0.625 DIA SHAFTS	1.000 EA
34CB4501SP	TERMINAL BOX LID, STAMPED X (PLATED)	1.000 EA
34GS1018	GASKET, TERM PLATE LID BLACK NEOPRENE	1.000 EA
51XW0832A07	8-32 X .44, TAPTITE II, HEX WSHR SLTD SE	2.000 EA
RM1001A01	GROMMET "MIDSTATES"	1.000 EA
HA1041A01	CUPPED SLINGER KENCO	1.000 EA
10XN2520A06	1/4 20X3/8 HX HD CAP	3.000 EA
MG1000G27	MED CHARCOAL METALLIC GREY 400-0096	0.014 GA
10XF0440S02	04-40 X 1/8 TYPE F HEX HD STAINLESS STIC	2.000 EA

Parts List (continued)		
Part Number	Description	Quantity
HA3100A18	THRUBOLT 10-32 X 9.250	4.000 EA
MN416A01	TAG-INSTAL-MAINT no wire (1200/bx) 11/14	1.000 EA
LB1118	LABEL,WARNING (ROLL LABEL)	1.000 EA
LC0007	CONNECTION LABEL	1.000 EA
NP1257L	ALUM UL CSA CC THERMAL REV MTG	1.000 EA
35PA1007	PKG GRP, PRINT PK1034A06	1.000 EA
PK3083T	STYROFOAM PACKING CRADLE W/TAPE	1.000 EA
PK3085X	FOAM SHAFT SUPPORT PRECUT 4-1/4 X 6-3/4	1.000 EA

AC Induction Motor Performance Data

Record # 50779 - Typical performance - not guaranteed values

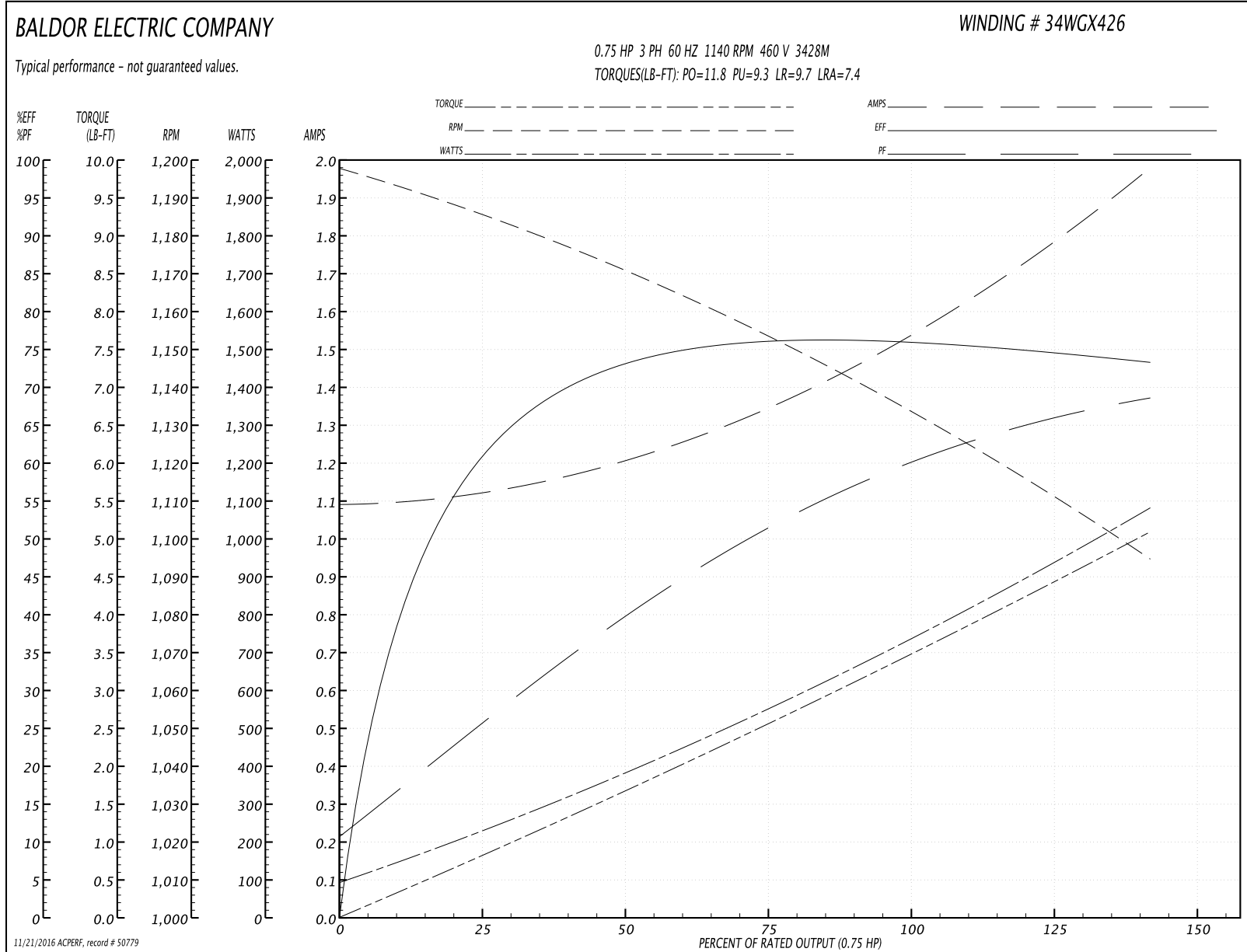
Winding: 34WGX426-R003	Type: 3428M	Enclosure: OPEN
-------------------------------	--------------------	------------------------

Nameplate Data				460 V, 60 Hz: High Voltage Connection	
Rated Output (HP)	.75			Full Load Torque	3.4 LB-FT
Volts	208-230/460			Start Configuration	direct on line
Full Load Amps	3.3-3/1.5			Breakdown Torque	11.8 LB-FT
R.P.M.	1140			Pull-up Torque	9.3 LB-FT
Hz	60	Phase	3	Locked-rotor Torque	9.7 LB-FT
NEMA Design Code	B	KVA Code	K	Starting Current	7.4 A
Service Factor (S.F.)	1			No-load Current	1.1 A
NEMA Nom. Eff.	77	Power Factor	59	Line-line Res. @ 25°C	21.9 Ω
Rating - Duty	40C AMB-CONT			Temp. Rise @ Rated Load	

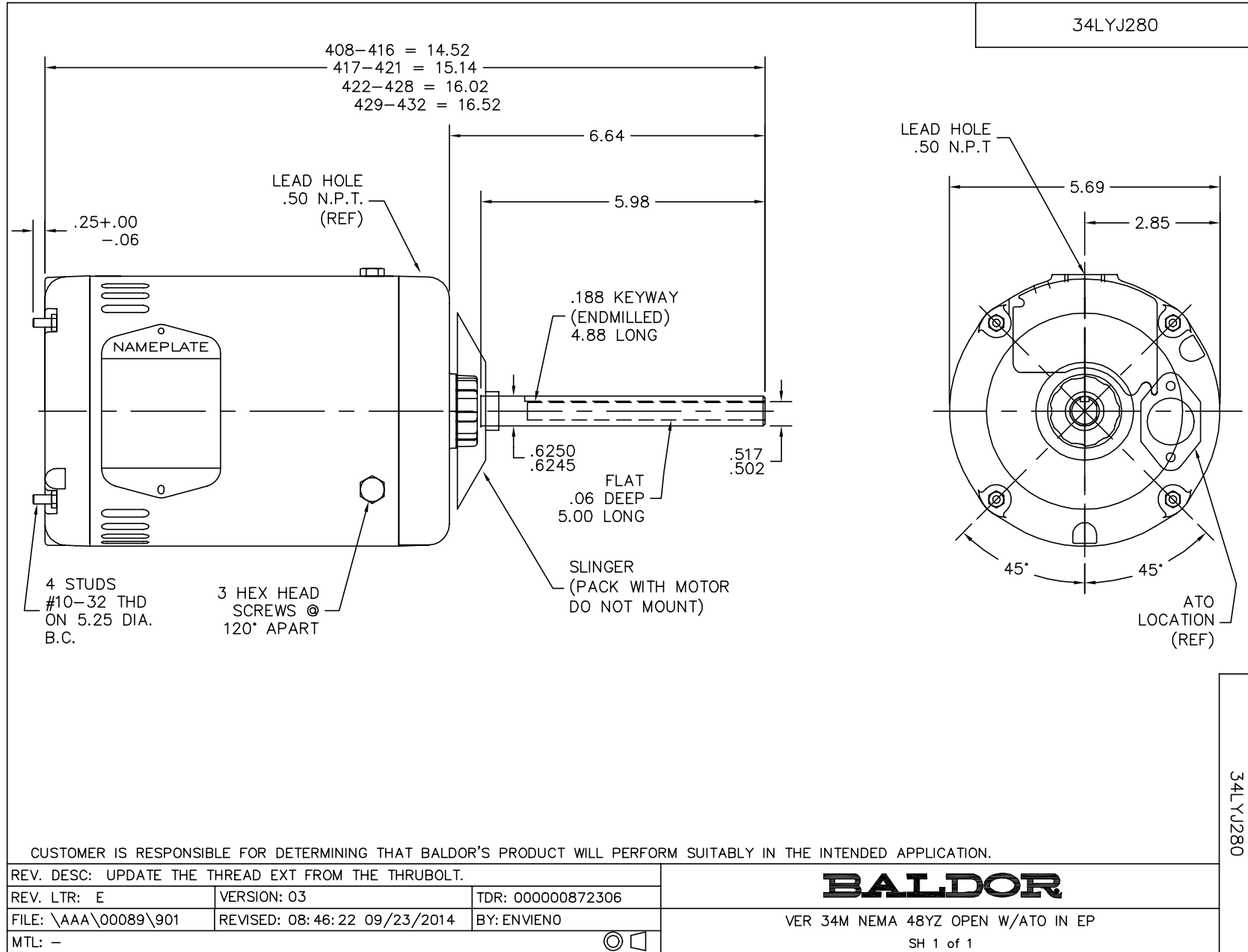
Load Characteristics 460 V, 60 Hz, 0.75 HP

% of Rated Load	25	50	75	100	125	150
Power Factor	26	40	51	59	65	68
Efficiency	60	72	76	77	75	73
Speed	1185	1170	1155	1135	1115	1095
Line amperes	1.1	1.2	1.4	1.5	1.7	2

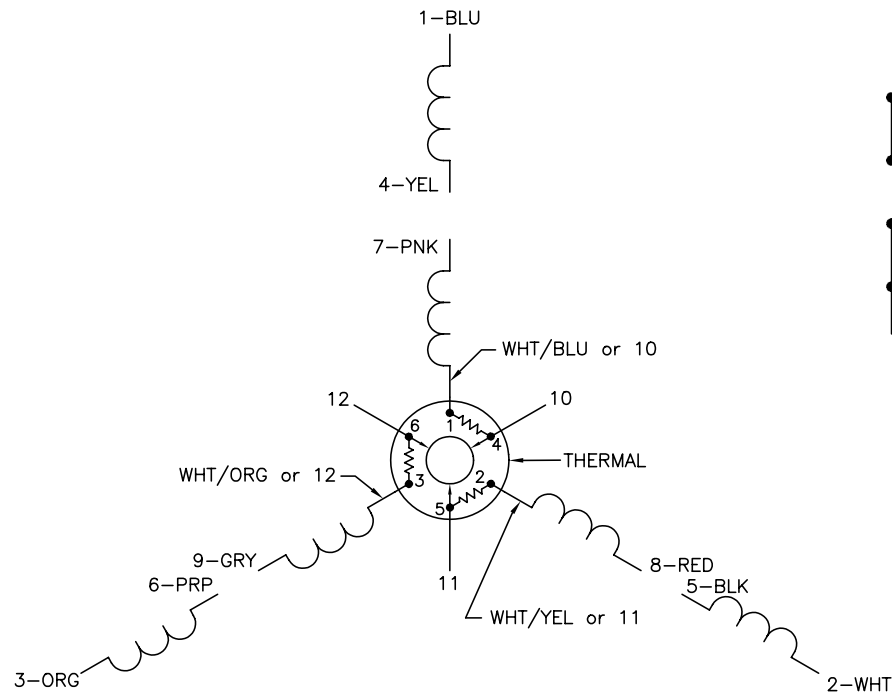
Performance Graph at 460V, 60Hz, 0.75HP Typical performance - Not guaranteed values



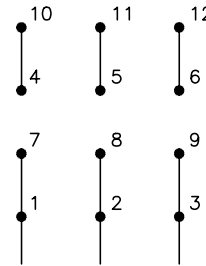
11/21/2016 ACPERF: record # 50779



CD0007

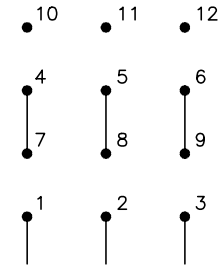


LOW VOLTAGE
(2Y)



LINE

HIGH VOLTAGE
(1Y)



LINE

NOTES:

1. INTERCHANGE ANY TWO LINE LEADS TO REVERSE ROTATION.
2. ACTUAL NUMBER OF INTERNAL PARALLEL CIRCUITS MAY VARY.
3. LEAD COLORS ARE OPTIONAL. LEADS MUST ALWAYS BE NUMBERED AS SHOWN.

REV. DESC: ADDED "CK" PLANT CODE			
REV. LTR: E	BY: EAH	REVISED: 05/06/99 17:1	TDR: 0181040
L00000		FILE: AAA00008370	MDL: -
		MTL: -	

BALDOR ELECTRIC Co.

3PH, DV, THERMAL, 12 LEADS

CD0007