

BALDOR® • ***RELIANCE***

Product Information Packet

CSSEWDM23932T

10HP, 1180RPM, 3PH, 60HZ, 256TC, 3964M, TEFC, F

Part Detail							
Revision:	-	Status:	PRD/A	Change #:		Proprietary:	No
Type:	AC	Prod. Type:	3964M	Elec. Spec:	39WGX896	CD Diagram:	CD0180
Enclosure:	TEFC	Mfg Plant:		Mech. Spec:	39E119	Layout:	39LYE119
Frame:	256TC	Mounting:	F1	Poles:	06	Created Date:	01-21-2016
Base:	RG	Rotation:	R	Insulation:	H	Eff. Date:	01-28-2016
Leads:	9#12					Replaced By:	
Literature:		Elec. Diagram:					

Nameplate NP1953D02										
CAT.NO.	CSSEWDM23932T									
SPEC.	39E119X896G2									
HP	10									
VOLTS	230/460									
AMP	30.2/15.1									
RPM	1180									
FRAME	256TC				HZ	60			PH	3
SER.F.	1.15		CODE	K	DES	A		CLASS	H	
NEMA-NOM-EFF	91		PF	68						
RATING	40C AMB-CONT									
CC	010A				USABLE AT 208V					
DE	6309			ODE	6208					
ENCL	TEFC		SN							

Parts List		
Part Number	Description	Quantity
SA314053	SA 39E119X896G2	1.000 EA
RA301528	RA 39E119X896G2	1.000 EA
09FN3001D01	EXTERNAL FAN, PLASTIC	1.000 EA
WD1000B17	T&B CX35TN TERMINAL	1.000 EA
11XW1032S06	10-32 X .38, TAPTITE II, HEX WSHR SLTD U	1.000 EA
39EP1901A01	S.S. FR ENDPLATE, MACH	1.000 EA
HW5100A08	W3118-035 WVY WSHR (WB)	1.000 EA
HW4606A16	PROTECH/SEAL (WDE-1575-2125-BG38)	1.000 EA
39EP1903A01	S.S. C-FACE PU ENDPLATE, MACH	1.000 EA
10XN2520S28	1/4-20X 1 3/4 HEX HD SS X	4.000 EA
HW4606A15	PROTECH/SEAL (WDE-1688-2250-BG37)	1.000 EA
XY3816S12	3/8-16 HEX FINISHED NUT SS	8.000 EA
09FH4014A01	304 S.S. FAN COVER & GRILL W/#4 FINISH	1.000 EA
10XN2520S08	SCREW, 1/4-20 X 1/2 HHCS SS	3.000 EA
HW1001S25	WASHER, 1/4 SPLT LK, STAINLESS STEEL	3.000 EA
09CB1505A01	S.S. LIPPED KOBX LID	1.000 EA
12GS1002	GASKET, CONDUIT BOX LID, NEOP	1.000 EA
10XN3118S12	5/16-18 X 3/4 HEX HEAD CAP, STAINLESS ST	2.000 EA
HW1001S31	WASHER, 5/16 SPLT LK, STAINLESS STEEL	2.000 EA
HW2502G25	#303 SS,SQ KEY 3/8 X 2.880	1.000 EA
MJ5002A01	SILICON RUBBER SEALANT, 732CL 10.3 OZ TU	0.031 EA
MJ5002A02	NON-CORROSIVE SILICONE, DOW 748, 10.3 OZ	0.031 EA
HA5027A01	HA4066A01 T-DRAIN X2 BAGGED	1.000 EA
HW4032A01	BLACK DRAIN PLUG FOR WASH DOWN MOTORS	3.000 EA

Parts List (continued)		
Part Number	Description	Quantity
MJ1000A02	GREASE, POLYREX EM EXXON (USe 4824-15A)	0.030 LB
HW4032A01	BLACK DRAIN PLUG FOR WASH DOWN MOTORS	3.000 EA
HA3154S06	THRUBOLT STUD 3/8-16 X 16.875 SS	4.000 EA
HW2500S25	USA#1008-WOODRUFF KEY#B STAINLESS:	1.000 EA
51XB1214A20	12-14X1.25 HXWSSLD SERTYB	1.000 EA
39PA1000	PACKAGING GROUP 39 PRINT	1.000 EA
MN416A01	TAG-INSTAL-MAINT no wire (1200/bx) 11/14	1.000 EA

AC Induction Motor Performance Data

Record # 54939 - Typical performance - not guaranteed values

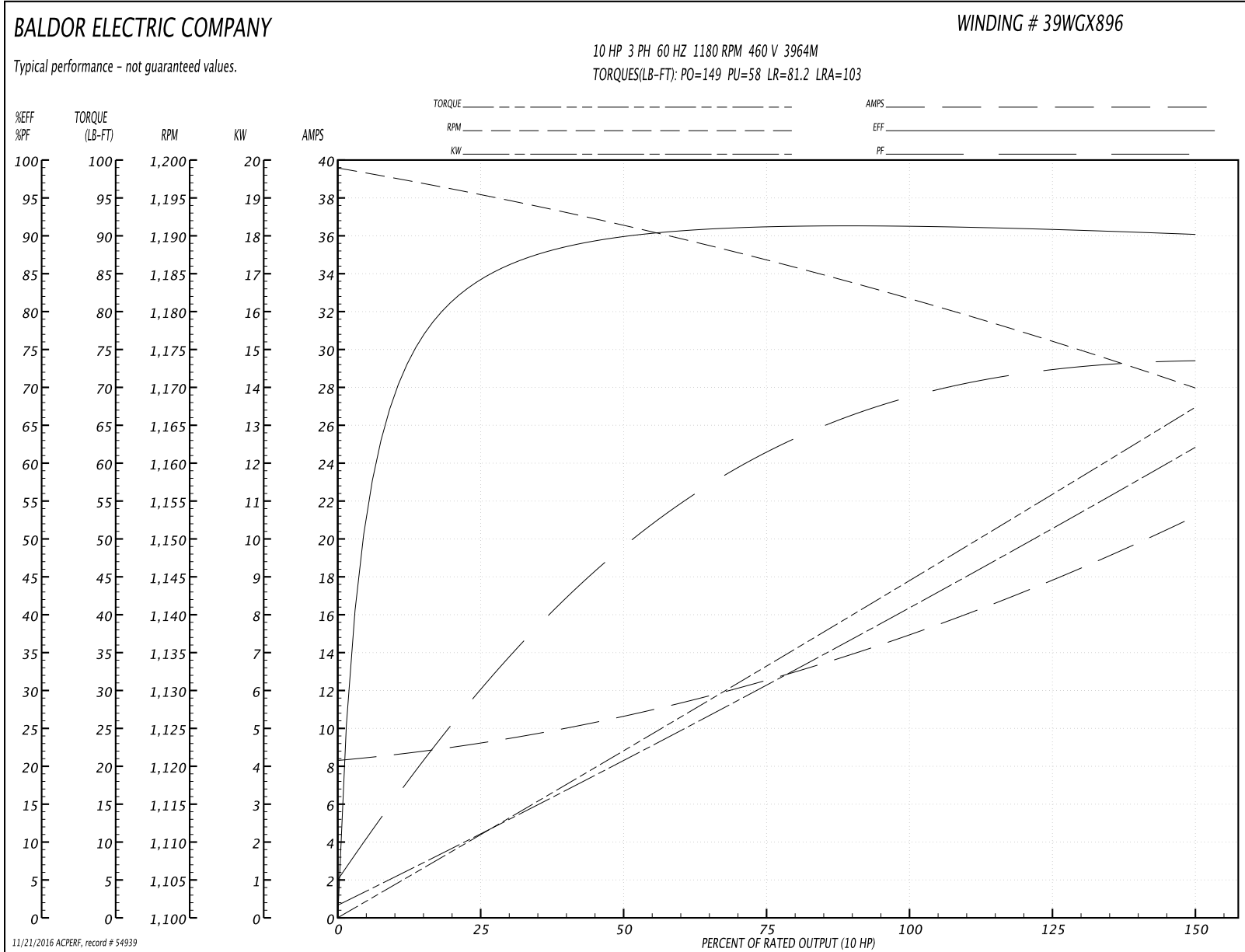
Winding: 39WGx896-R002	Type: 3964M	Enclosure: TEFC
-------------------------------	--------------------	------------------------

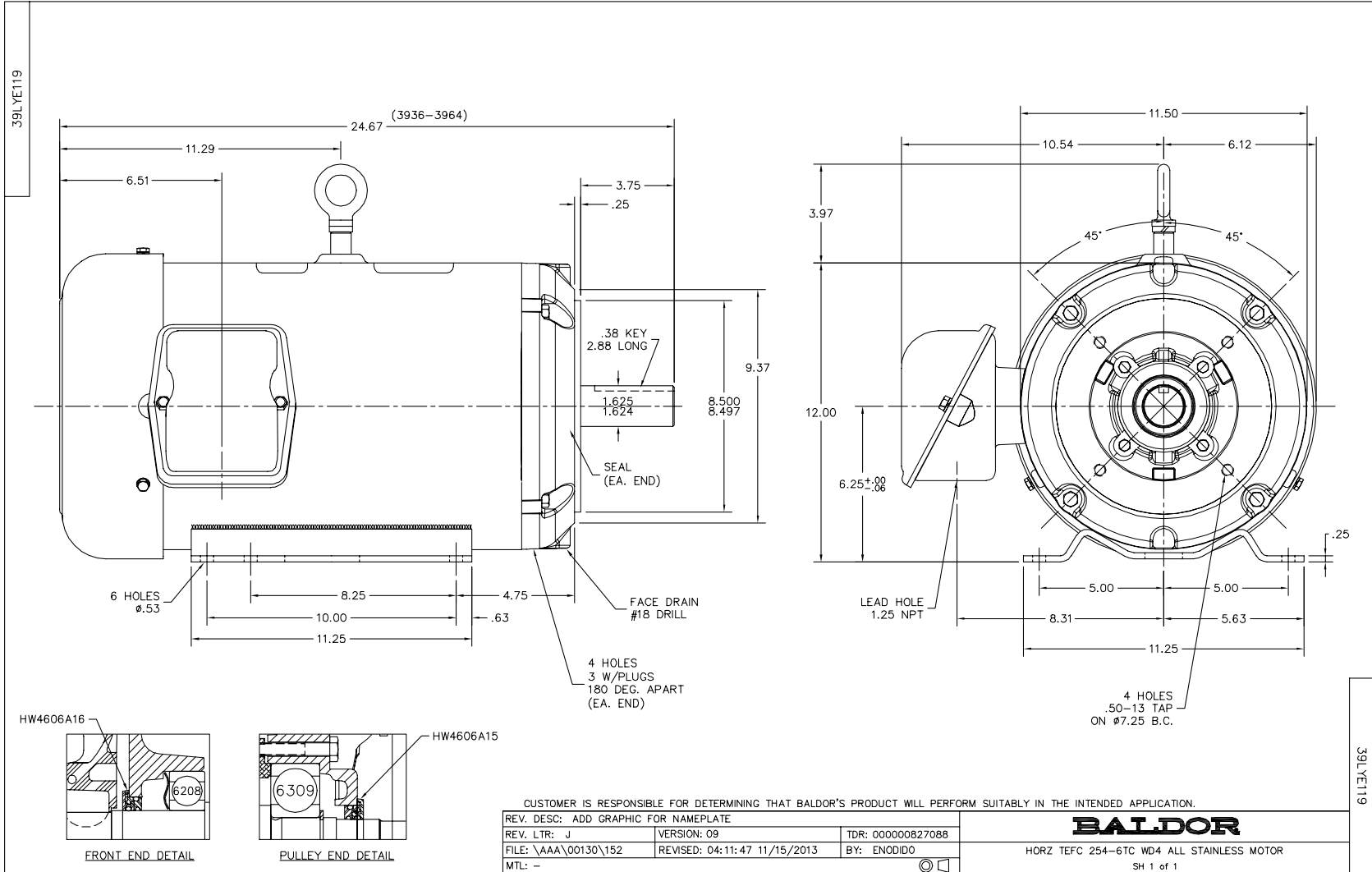
Nameplate Data				460 V, 60 Hz: High Voltage Connection	
Rated Output (HP)	10			Full Load Torque	44.4 LB-FT
Volts	230/460			Start Configuration	direct on line
Full Load Amps	30.2/15.1			Breakdown Torque	149 LB-FT
R.P.M.	1180			Pull-up Torque	58 LB-FT
Hz	60	Phase	3	Locked-rotor Torque	81.2 LB-FT
NEMA Design Code	A	KVA Code	K	Starting Current	103 A
Service Factor (S.F.)	1.15			No-load Current	8.46 A
NEMA Nom. Eff.	91	Power Factor	68	Line-line Res. @ 25°C	0.64938 Ω
Rating - Duty	40C AMB-CONT			Temp. Rise @ Rated Load	67°C
S.F. Amps				Temp. Rise @ S.F. Load	79°C
				Locked-rotor Power Factor	24.5

Load Characteristics 460 V, 60 Hz, 10 HP

% of Rated Load	25	50	75	100	125	150	S.F.
Power Factor	31	50	61	68	72	74	70
Efficiency	84.1	89.9	91.3	91.4	91	90.1	91.2
Speed	1195.5	1191.4	1186.7	1181.7	1176.3	1169.9	1178
Line amperes	9.06	10.5	12.6	15.1	17.8	21.1	16.7

Performance Graph at 460V, 60Hz, 10.0HP Typical performance - Not guaranteed values

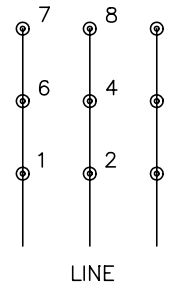




CD0180



LOW VOLTAGE
(2D)



HIGH VOLTAGE
(1D)



NOTES:

1. INTERCHANGE ANY TWO LINE LEADS TO REVERSE ROTATION.
2. OPTIONAL THERMOSTATS ARE PROVIDED WHEN SPECIFIED.
3. ACTUAL NUMBER OF INTERNAL PARALLEL CIRCUITS MAY BE A MULTIPLE OF THOSE SHOWN ABOVE.
4. LEAD COLORS ARE OPTIONAL. LEADS MUST ALWAYS BE NUMBERED AS SHOWN.

REV. DESC: REVISE TO SHOW OPTIONAL COLORS			
REV. LTR: C	BY: JLP	REVISED: 01/21/99 2:28	TDR: 0171435
0810D0		FILE: AAA00005148	MDL: -
		MTL: -	

BALDOR ELECTRIC Co.

3PH, DV, 9 LEADS, DELTA CONNECTION

CD0180

Marketing maintained PDF of MN416:

<http://www.baldor.com/support/Literature/Load.ashx/MN416?ManNumber=MN416>