

BALDOR® • ***RELIANCE***

Product Information Packet

DEL3737TM

10HP,1760RPM,1PH,60HZ,215T,3750LC,TEFC,F

Part Detail							
Revision:	P	Status:	PRD/A	Change #:		Proprietary:	No
Type:	AC	Prod. Type:	3750LC	Elec. Spec:	37WGT819	CD Diagram:	CD1336A01
Enclosure:	TEFC	Mfg Plant:		Mech. Spec:	37M294	Layout:	37LYM294
Frame:	215T	Mounting:	F1	Poles:	04	Created Date:	03-04-2010
Base:	RG	Rotation:	R	Insulation:	H	Eff. Date:	08-10-2016
Leads:	2#8 A PH,3#12 B&J					Replaced By:	
Literature:		Elec. Diagram:					

Nameplate NP1280L										
CAT.NO.	DEL3737TM									
SPEC.	37M294T819G1									
HP	10									
VOLTS	230									
AMP	39									
RPM	1760									
FRAME	215T			HZ	60		PH	1		
SER.F.	1.15		CODE	G	DES	-	CL	H		
NEMA-NOM-EFF	86.5		PF	96						
RATING	50C AMB-CONT									
CC							USABLE AT 208V			
DE	6307			ODE	6206					
ENCL	TEFC		SN							

Parts List		
Part Number	Description	Quantity
SA191788	SA 37M294T819G1	1.000 EA
RA179446	RA 37M294T819G1	1.000 EA
OC3050F09SP	CYL OIL CAP 50MFD/370V	2.000 EA
RE5029	MARS 91423 DOUBLE POLE 230-240V CONTACTO	1.000 EA
TPLEC987	TPLEH00BA WITH LOW FREE RESET & HIGH CAP	1.000 EA
EC1216C06SP	ELEC CAP, 216-259 MFD, 250V, 2.06D X 4.	4.000 EA
37FN3002A01SP	EXFN, PLASTIC, 9.00 OD, 1.155 ID	1.000 EA
HW3200A01	3/8-16X3/4 I-BLT WELDED F/S	1.000 EA
37CB3804A35	37 CPBX W/ 1.38 DIA, MAN THERM, & RELAY	1.000 EA
37CB2804	ADAPTER, 37 KO BOX (SHOE BOX)	2.000 EA
37GS1017	GASKET - CONDUT BOX .06 THK NEOPRENE	4.000 EA
19XW2520A16	SCREW,1/4-20X1 TAPTITE-II OR ROLOC 91	4.000 EA
37CB4509	CAPAC BOX LID, STAMPED	1.000 EA
37GS3016	GASKET, CAPAC BOX LID	1.000 EA
51XW0832A07	8-32 X .44, TAPTITE II, HEX WSHR SLTD SE	6.000 EA
HA6003A47	CAPAC CLAMP	1.000 EA
HA6003A45	CAPAC CLAMP - CLIP (WHITE ZINC PLATED)	2.000 EA
51XB1016A07	10-16 X 7/16 HXWSSLD SERTYB	4.000 EA
HA2001A09	SPACER, .218 ID X .937 LG	2.000 EA
RM1015	BOOT FOR MANUAL THERMALS	1.000 EA
51XN1032A28	10-32 X 1 3/4 HX WS SL SR	2.000 EA
XY1032A02	10-32 HEX NUT DIRECTIONAL SERRATION	2.000 EA
51XF2520A08	SCREW, HEX SER SLT HD, ZN 1/4-20 X .50 L	2.000 EA
11XW1032G06	10-32 X .38, TAPTITE II, HEX WSHR SLTD U	1.000 EA

Parts List (continued)		
Part Number	Description	Quantity
HW3001B01	BRASS CUP WASHER, FOR #8 SCREW	1.000 EA
37EP3101A01	FR ENDPLATE, FOR ROUTING PURPOSES	1.000 EA
HW4500A01	1641B(ALEMITE)400 UNIV, GREASE FITT	1.000 EA
13XF0832A08	8-32 X.50 PAN HD,SLTD, TYPE F SCREW, ZIN	6.000 EA
NS2539	INSULATOR FOR 37 FRAMESWITCH (MH1011A10)	1.000 EA
HW5100A06	W2420-025 WVY WSHR (WB)	1.000 EA
37EP3100B19	FR/PU ENDPLATE, MACH	1.000 EA
HW4500A01	1641B(ALEMITE)400 UNIV, GREASE FITT	1.000 EA
XY3118A12	5/16-18 HEX NUT DIRECTIONAL SERRATION	4.000 EA
36FN3004A02	EXFN XP PULLEY, ALUM, 7.38 OD, 1.379 ID	1.000 EA
80XN2520A06	1/4-20 X 3/8 SET SCREW	2.000 EA
51XB1214A20	12-14X1.25 HXWSSLD SERTYB	1.000 EA
07FH4007A06	IEC FH W/GRS, NOT @6, 3 F/C HOL & NOT FO	1.000 EA
51XW1032A06	10-32 X .38, TAPTITE II, HEX WSHR SLTD S	3.000 EA
37FH4001A02	FAN COVER 37 FR.END W/GREASER	1.000 EA
51XW1032A06	10-32 X .38, TAPTITE II, HEX WSHR SLTD S	3.000 EA
HW2501F21	KEY, 5/16 SQ X 2.375	1.000 EA
HA7000A02	KEY RETAINER RING, 1 1/8 DIA, 1 3/8 DIA	1.000 EA
85XU0407S04	4X1/4 U DRIVE PIN STAINLESS	2.000 EA
LB1115N	LABEL,LIFTING DEVICE (ON ROLLS)	1.000 EA
LB1087	LABEL,MANUAL RESET (ROLL LABEL)	1.000 EA
MJ1000A02	GREASE, POLYREX EM EXXON (USe 4824-15A)	0.050 LB
MG1025C02	WILKOFASST SG, 787.105, TAN	0.028 GA
LD5000A34	LEAD ASSY, ML1400DF08 W/#10 RING 12"	1.000 EA

Product Information Packet: DEL3737TM - 10HP,1760RPM,1PH,60HZ,215T,3750LC,TEFC,F

HA3104A25T	THRUBOLT .31-18 X 14.75 W/SHRINK TUBING	4.000 EA
SP5172A06	37 TYPE L TORQ STAT SWITCH LEAD ASSEMBLY	1.000 EA
LB1119N	WARNING LABEL	1.000 EA
LC0002	CONNECTION LABEL	1.000 EA
NP1280L	ALUM FARM DUTY UL CSA CC THERMAL	1.000 EA
37PA1039	PALLET PACK GRP, PRINT PK1026A06	1.000 EA
MN416A01	TAG-INSTAL-MAINT no wire (1200/bx) 11/14	1.000 EA

AC Induction Motor Performance Data

Record # 11784 - Typical performance - not guaranteed values

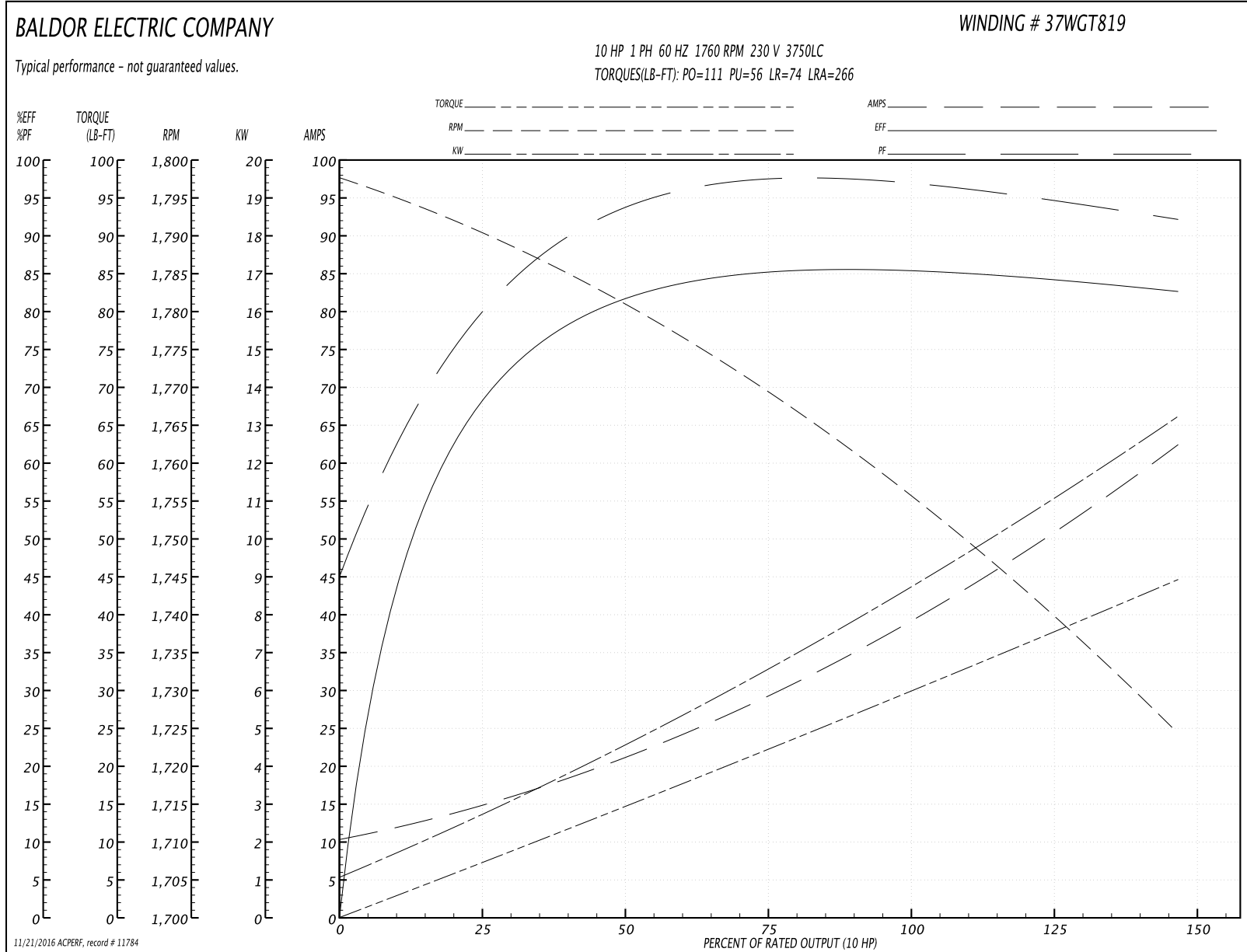
Winding: 37WGT819-R001	Type: 3750LC	Enclosure: TEFC
-------------------------------	---------------------	------------------------

Nameplate Data				230 V, 60 Hz: Single Voltage Motor	
Rated Output (HP)	10			Full Load Torque	29.8 LB-FT
Volts	230			Start Configuration	direct on line
Full Load Amps	39			Breakdown Torque	111 LB-FT
R.P.M.	1760			Pull-up Torque	56 LB-FT
Hz	60	Phase	1	Locked-rotor Torque	74 LB-FT
NEMA Design Code	-	KVA Code	G	Starting Current	266 A
Service Factor (S.F.)	1.15			No-load Current	10.5 A
NEMA Nom. Eff.	86.5	Power Factor	96	Line-line Res. @ 25°C	0.141 Ω A Ph 0.4779 Ω B Ph
Rating - Duty	50C AMB-CONT			Temp. Rise @ Rated Load	70°C
S.F. Amps				Temp. Rise @ S.F. Load	85°C

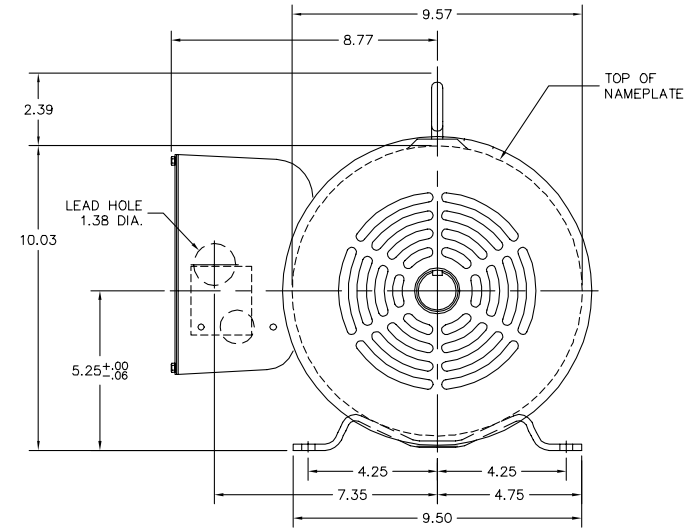
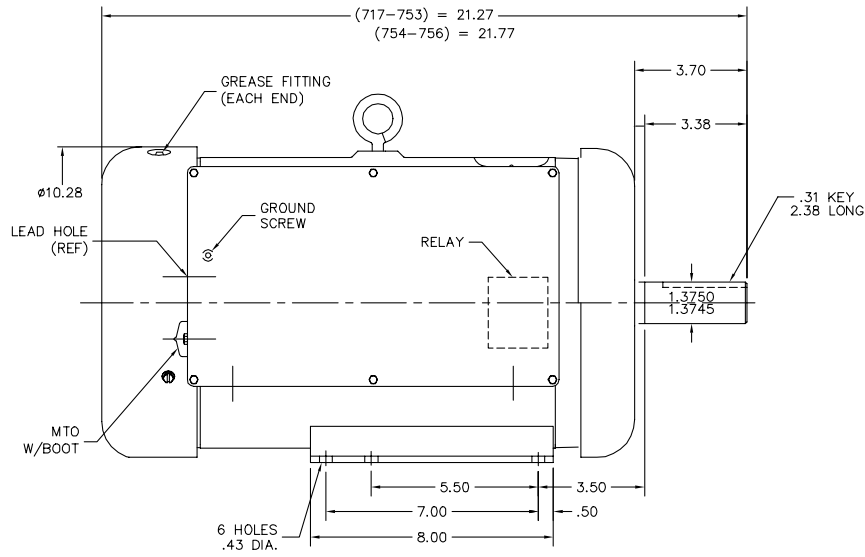
Load Characteristics 230 V, 60 Hz, 10 HP

% of Rated Load	25	50	75	100	125	150	S.F.
Power Factor	85	95	96	96	95	93	95
Efficiency	66.3	80.8	85.4	86.1	84.8	82.2	85.3
Speed	1789	1779	1770	1757	1742	1723	1748
Line amperes	14.6	21.3	29.7	39	50	62.5	45.6

Performance Graph at 230V, 60Hz, 10.0HP Typical performance - Not guaranteed values



37LYM294



37LYM294

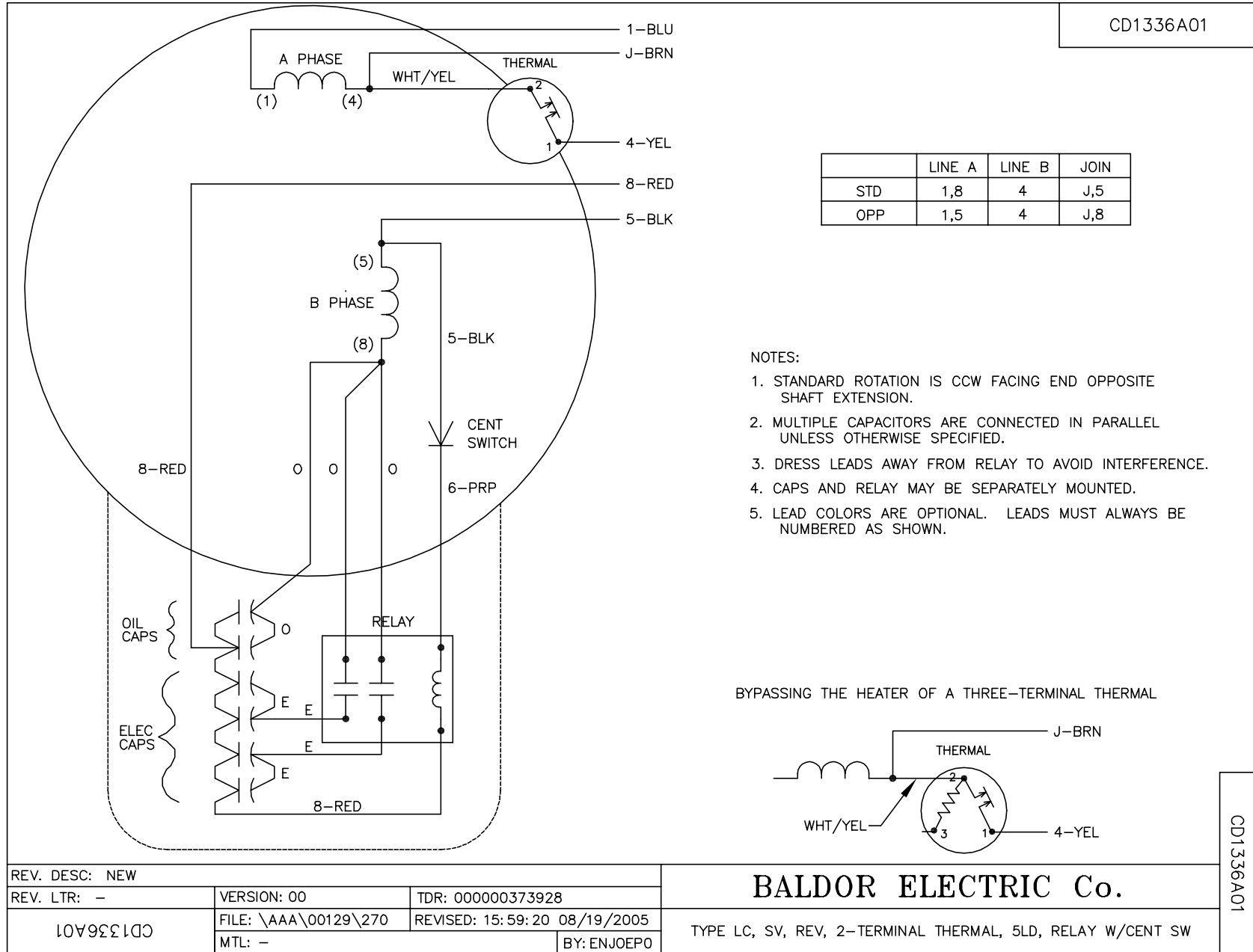
CUSTOMER IS RESPONSIBLE FOR DETERMINING THAT BALDOR'S PRODUCT WILL PERFORM SUITABLY IN THE INTENDED APPLICATION.

REV. DESC: 36FN3004A02 REPLACED 36FN2003A02	VERSION: 01	TDR: 000000958560
REV. LTR: A	REVISD: 03:07:11 01/05/2016	BY: ENKANVO
FILE: \AAA\00168\666		
MTL: -		

BALDOR

HOR 213-5T TEFC LC, DUAL EXFN, 1.50 MTO, FINNED ENDRING, TORQ

SH 1 of 1

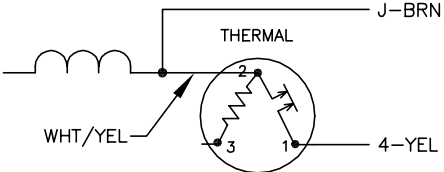


CD1336A01

	LINE A	LINE B	JOIN
STD	1,8	4	J,5
OPP	1,5	4	J,8

- NOTES:
1. STANDARD ROTATION IS CCW FACING END OPPOSITE SHAFT EXTENSION.
 2. MULTIPLE CAPACITORS ARE CONNECTED IN PARALLEL UNLESS OTHERWISE SPECIFIED.
 3. DRESS LEADS AWAY FROM RELAY TO AVOID INTERFERENCE.
 4. CAPS AND RELAY MAY BE SEPARATELY MOUNTED.
 5. LEAD COLORS ARE OPTIONAL. LEADS MUST ALWAYS BE NUMBERED AS SHOWN.

BYPASSING THE HEATER OF A THREE-TERMINAL THERMAL



CD1336A01

REV. DESC: NEW	VERSION: 00	TDR: 000000373928
REV. LTR: -	FILE: \AAA\00129\270	REVISED: 15:59:20 08/19/2005
CD1336A01	MTL: -	BY: ENJOEPO

BALDOR ELECTRIC Co.

TYPE LC, SV, REV, 2-TERMINAL THERMAL, 5LD, RELAY W/CENT SW