

BALDOR® • ***RELIANCE***

Product Information Packet

ECP4407TR-4

200 HP SEV DUTY MTR

Part Detail							
Revision:	J	Status:	PRD/A	Change #:		Proprietary:	No
Type:	AC	Prod. Type:	A44120M	Elec. Spec:	A44WG1500	CD Diagram:	416820-036
Enclosure:	TEFC	Mfg Plant:		Mech. Spec:		Layout:	617427-002
Frame:	447T	Mounting:	F1	Poles:	04	Created Date:	08-10-2012
Base:		Rotation:	R	Insulation:	F	Eff. Date:	09-17-2015
Leads:	3#1 (02 per group)					Replaced By:	
Literature:		Elec. Diagram:					

Nameplate NP3238									
CAT NO	ECP4407TR-4	SPEC NO.	P44G3934						
HP	200	AMPS	223	VOLTS	460	DESIGN	B		
FRAME	447T	RPM	1785	HZ	60	AMB	40	SF	1.15
D.E. BRG.DATA	NU222	O.D.E. BRG.DATA	6318	PH	3	DUTY	CONT	INSUL.CLASS	F
D.E. BRG.	110RU02M30X	TYPE	P	ENCL	TEFC	CODE	G	NEMA NOM EFFICIENCY	96.2
O.D.E. BRG.	90BC03J30X	POWER FACTOR	87	MAX CORR KVAR	32.0	GUARANTEED EFFICIENCY	95.4		
3/4 LOAD EFF.	96.5	TEMP	= 200						
TEMP CODE	T3	CT HZ	30-60	VT HZ	0-60				
CHP HZ	60-90								
INVERTER-TEMP-CODE	T3								
SER.NO.		MOTOR WEIGHT	2621						

Nameplate NP2496L

MOBIL SHC -220 GREASE

Parts List		
Part Number	Description	Quantity
SA249390	SA P44G3934	1.000 EA
RA236255	RA P44G3934	1.000 EA
NP3238	SS CP XEX SEVERE DUTY MAIN NP	1.000 EA
000692000FF	N/P	1.000 EA
000692000RT	N/P	1.000 EA
000692000VD	LABEL WARNING	1.000 EA
NP2496L	MOTOR LUBE NAMEPLATE	1.000 EA
004824015AP	GREASE MOBILITH SHC 220	1.156 LB
032018008CK	HHCS 3/8-16X1L PLATED	4.000 EA
032018020FK	HHCS 3/4-10X2-1/2 PLTD.	4.000 EA
032018030DK	HHCS 1/2-13X3-3/4 PLTD.	3.000 EA
032620016LA	SOCKET SET SCREW-449	3.000 EA
034017014AB	LCKW 3/8 STD. PLATED	4.000 EA
034180014DA	KEY 1/4X1/4X1-3/4 L	1.000 EA
034530064AB	P/NIP 1/8 X 8" L Pipe Nipple	1.000 EA
034530064BB	P/NIP 1/4X8 PLATED	1.000 EA
034631002AB	BUSH 1/4 TO 1/8 PLTD.	1.000 EA
034690005AB	PPLG 3/4 PLATED	2.000 EA
078548001R	FAN KB 234/150 (84) 400	1.000 EA
083199082RA	G28 SHORT FAN COVER W/BAFFLE ASSEMBLY	1.000 EA
089490099A	G28 BRKT 089490098WCA KB	1.000 EA
415045002A	SLGR	1.000 EA
415072001B	CLAMP	1.000 EA
415096002A	CPLG 1/8 HEX TYPE	1.000 EA

Parts List (continued)		
Part Number	Description	Quantity
418151014G	RETAIN RING	1.000 EA
418151057A	PLASTIC DRAIN,ODE BRKT	1.000 EA
702623013A	THERMAL BARRIER -- G28 -- BRACKET MTD	1.000 EA
032018004BK	HHCS 5/16-18X1/2 PLATED	3.000 EA
032018020FK	HHCS 3/4-10X2-1/2 PLTD.	4.000 EA
032018030DK	HHCS 1/2-13X3-3/4 PLTD.	3.000 EA
034017013AB	LCKW 5/16 STD. PLATED	3.000 EA
034530036AB	P/NIP 1/8 X4-1/2 Yellow Zinc46114-BM	1.000 EA
034530036BB	P/NIP 1/4X4-1/2 GALV.	1.000 EA
034631002AB	BUSH 1/4 TO 1/8 PLTD.	1.000 EA
089490101A	G28 BRKT 089490100WCA	1.000 EA
415045002D	SLGR - 440	1.000 EA
415915007G	GASK, LAC	1.000 FT
415096002A	CPLG 1/8 HEX TYPE	1.000 EA
418151014H	RETAIN RING	1.000 EA
418151057A	PLASTIC DRAIN,ODE BRKT	1.000 EA
032018008BK	HHCS 5/16-18X1L PLATED	4.000 EA
032018008DK	HHCS 1/2-13X1 PLATED	4.000 EA
033512004LB	HHTTS 1/4-20X1/2 PLTD.	1.000 EA
035000001A	ALFTG 1/8" 1610-BL	1.000 EA
035000001A	ALFTG 1/8" 1610-BL	1.000 EA
067053014A	GASK 440	1.000 EA
076870000B	+CBCST BLKT - 440	1.000 EA
076871000A	+CBOX CVR BLKT - 449	1.000 EA

Product Information Packet: ECP4407TR-4 - 200 HP SEV DUTY MTR

406056007A	GASKET, 440	1.000 EA
406099000A	PLUG - FAN COVER 320-440	1.000 EA
415000103D	T/LUG #4AWG-1/0AWG W/HOLE FOR .250 BOLT	1.000 EA
418150003A	GREASE FITTING CAP	1.000 EA
418150003A	GREASE FITTING CAP	1.000 EA
033775004EA	DRSCR #6-1/4 304 S.S.	2.000 EA
034180054KA	KEY 7/8X7/8X6-3/4 L	1.000 EA
MG1025N19	WILKO 778.50 BLUE GREEN - 55 GAL DRUMS	0.375 GA
004824003CBY	WILKO PAINT 060.02 - ACTIVATOR	0.094 GA
L482401016	SPRAY AC-29-7S	0.019 GA
421948051	LABEL, MYLAR	1.000 EA
604797056	WOOD BASE 447 60 X 41-1/2 BLT 20 X 18	1.000 EA
000613006PU	N/P (RELEASE QTY 10,000) UL CSA LABLE	1.000 EA
LB1449	DIV-2/NEC WARNING LABEL	1.000 EA
035000001G	GREASE RELIEF FITTING, ALEMITE 317400	1.000 EA
035000001G	GREASE RELIEF FITTING, ALEMITE 317400	1.000 EA

REL. S.O.	FRAME	HP	TYPE	PHASE/ HERTZ	RPM	VOLTS
	447TC	200	P	3/60	1785	460
AMPS	DUTY	AMB °C/ INSUL.	S.F.	NEMA DESIGN	CODE LETTER	ENCL.
223	CONT	40/F	1.15	B	G	TEFC
E/S	ROTOR	TEST S.O.	TEST DATE	STATOR RES. @25 °C OHMS (BETWEEN LINES)		
833178	418143052CE	---	---	.0209		

PERFORMANCE

LOAD	HP	AMPERES	RPM	POWER FACTOR %	EFFICIENCY %
NO LOAD	0	60.4	1800	3.47	0
1/4	50.0	87.1	1796	56.7	95.0
2/4	100	125	1793	77.4	96.5
3/4	150	172	1789	84.6	96.5
4/4	200	223	1785	87.3	96.2
5/4	250	278	1781	88.0	95.6

SPEED TORQUE

	RPM	TORQUE % FULL LOAD	TORQUE LB.-FT.	AMPERES
LOCKED ROTOR	0	143	839	1421
PULL UP	540	125	734	1352
BREAKDOWN	1729	285	1675	779
FULL LOAD	1785	100	588	223

AMPERES SHOWN FOR 460. VOLT CONNECTION. IF OTHER VOLTAGE CONNECTIONS ARE AVAILABLE, THE AMPERES WILL VARY INVERSELY WITH THE RATED VOLTAGE

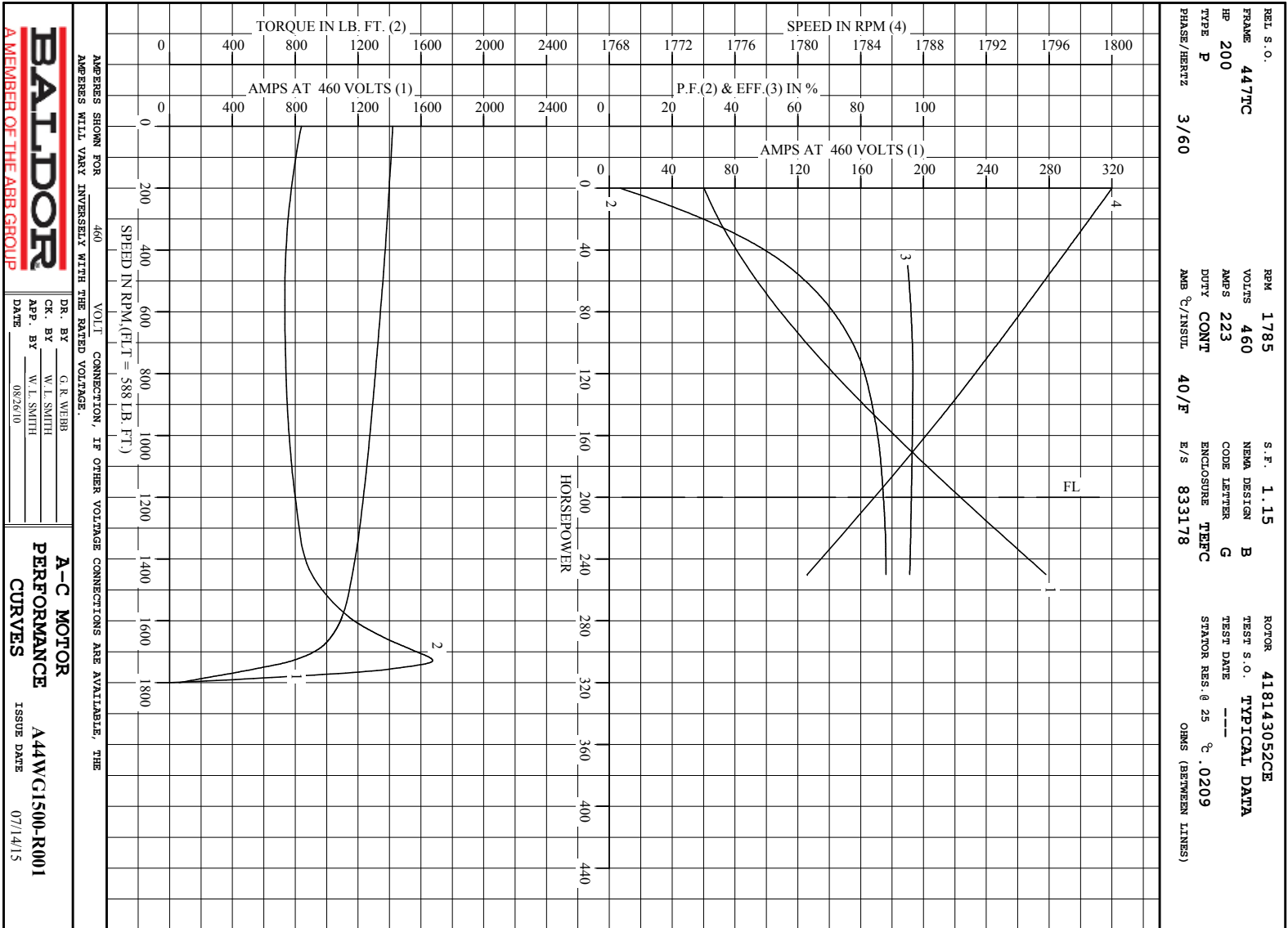
REMARKS: TYPICAL DATA



A MEMBER OF THE ABB GROUP

DR. BY G. R. WEBB
 CK. BY W. L. SMITH
 APP. BY W. L. SMITH
 DATE 08/26/10

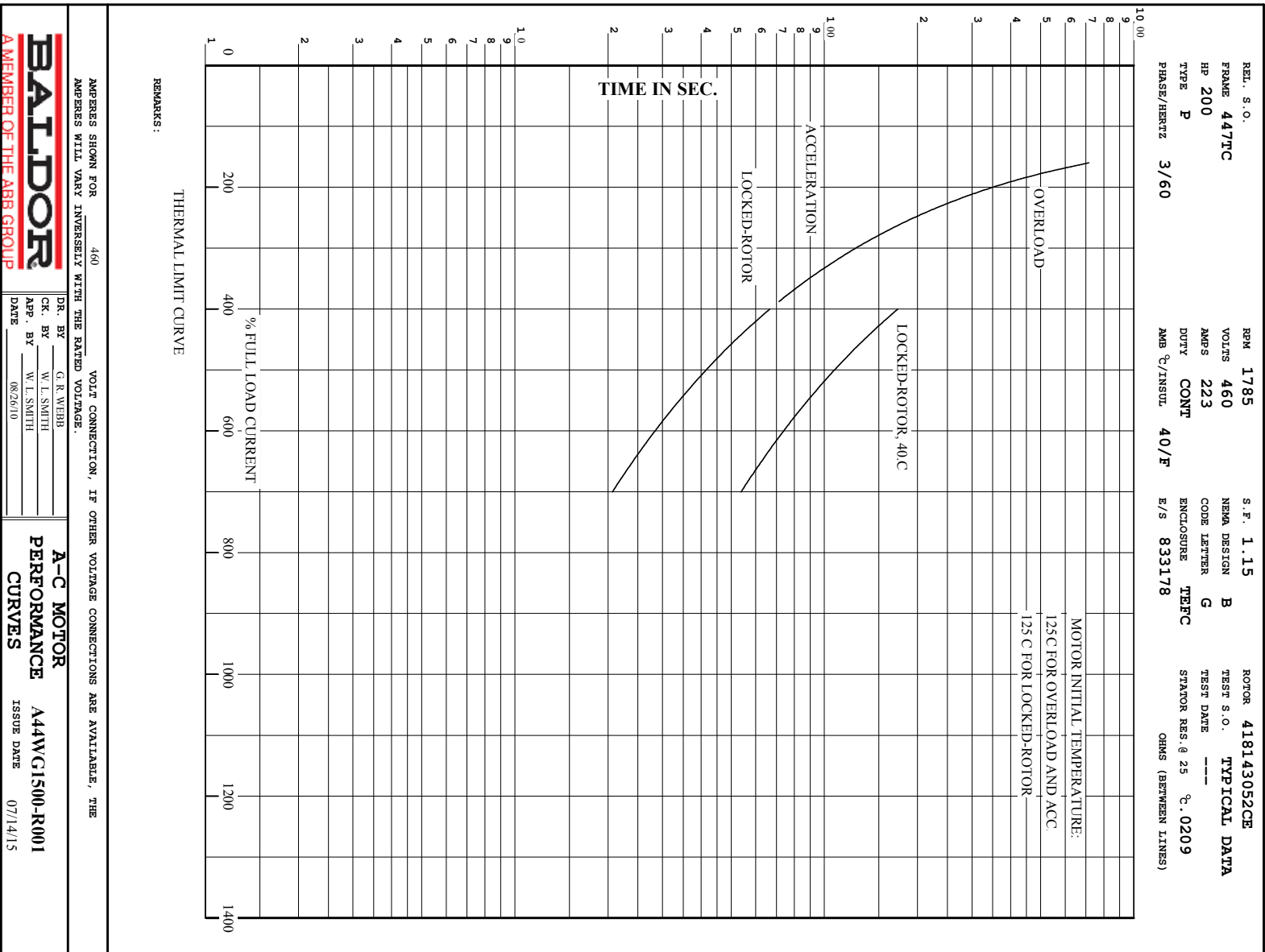
A-C MOTOR PERFORMANCE DATA
 A44WG1500-R001
 ISSUE DATE 07/14/15



DR. BY G. R. WEBB
 CK. BY W. L. SMITH
 App. BY W. L. SMITH
 DATE 08/26/10

A-C MOTOR PERFORMANCE CURVES
A44WC1500-R001
 ISSUE DATE 07/14/15

Printed on 7/14/15 14:36 @ bengap01.baldor.com



617427-002

DUTY MASTER ALTERNATING CURRENT MOTORS

SQUIRREL-CAGE INDUCTION

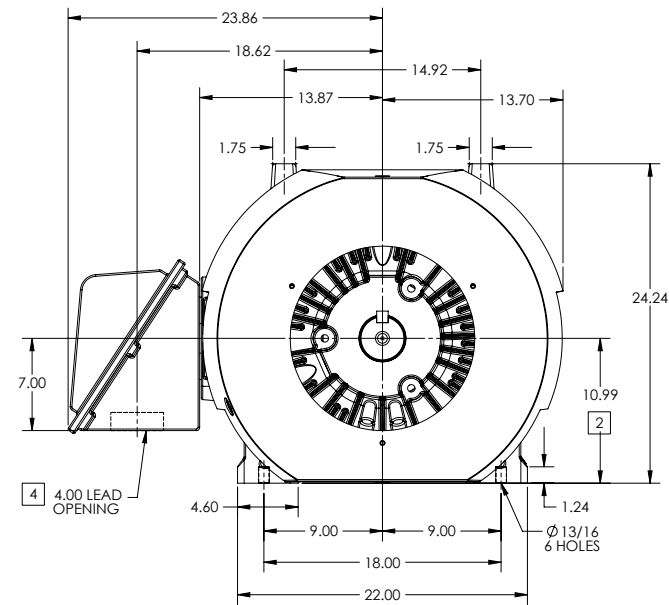
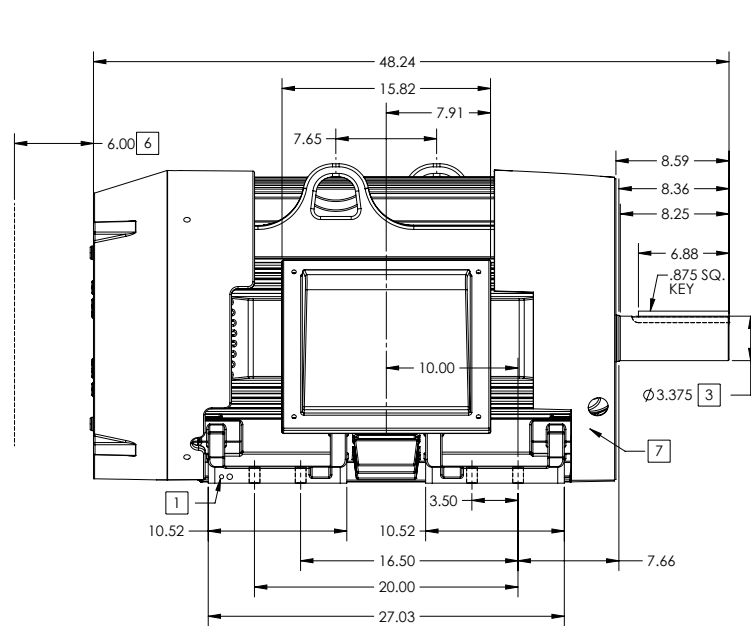
ENCLOSURE: TOTALLY ENCLOSED

FRAME G447T ABOVE NEMA RATINGS

COOLING: FAN COOLED

MOUNTING: FOOT

INCLUDES 445T FRAME MOUNTING HOLES



1. GROUND HOLES QTY 1 1/2-13 TAP; QTY 1 3/8-16 TAP
2. VARIES +.00, -.06
3. VARIES +.000, -.001
4. ON STANDARD MOTORS THIS IS CONDUIT SIZE. ON XT AND CORROSION PROOF MOTOR THIS IS PIPE TAP.
5. MOTOR WEIGHTS MAY VARY BY 15% DEPENDING ON RATING.
6. OBSTRUCTION MUST NO ENCROACH ON AIR INLET.
7. AIR DEFLECTOR INSTALLED WHEN REQUIRED.

CONDUIT BOX LOCATED ON OPPOSITE SIDE WHEN F-2.
IF MOUNTING CLEARANCE DETAILS ARE REQUIRED, CONSULT FACTORY.
MAXIMUM PERMISSIBLE SHAFT RUNOUT WHEN MEASURED AT END OF STANDARD SHAFT EXTENSION IS .003" T.I.R. TO 5 INCH DIA.

5 WEIGHT (LBS): 2515

DRIVE END AIR DEFLECTOR IS ONLY INCLUDED WHEN NECESSARY.

DIMENSIONS ARE IN INCHES; SEE SHEET 2 FOR DIMENSIONS IN MILLIMETERS

CUSTOMER IS RESPONSIBLE FOR DETERMINING THAT MOTOR PERFORMANCE IS SUITABLE IN THE APPLICATION.

SHEET NUMBER
1 OF 2

2007-27-19

REV. DESC: CHANGING ENCLOSURE TO "TOTALLY ENCLOSED" WAS "UL..."			
REV: A	VERSION: 01	REVISED: 08-25-13 02:15/2013	TDR: 000000786306
MODEL NO. 617427-002		REF:	
BY: MGHWC	Material:	C	

BALDOR

G447T-445T STD - FOOTED - SIDE/CENTER CB

617427-002

617427-002

DUTY MASTER ALTERNATING CURRENT MOTORS

SQUIRREL-CAGE INDUCTION

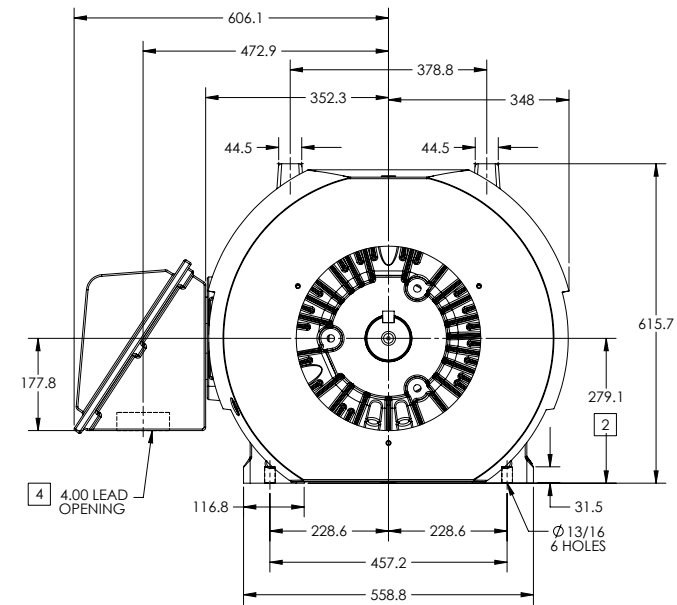
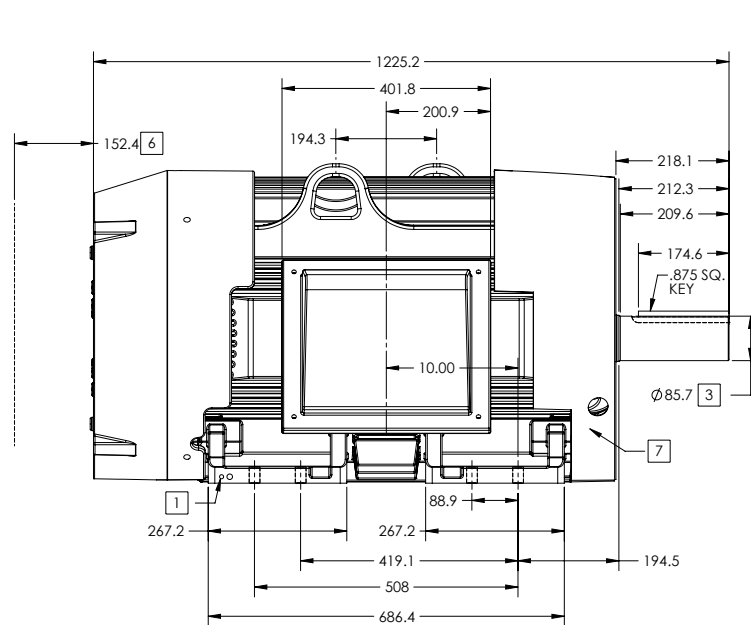
ENCLOSURE: TOTALLY ENCLOSED

FRAME G447T ABOVE NEMA RATINGS

COOLING: FAN COOLED

MOUNTING: FOOT

INCLUDES 445T FRAME MOUNTING HOLES



1. GROUND HOLES QTY 1 1/2-13 TAP; QTY 1 3/8-16 TAP
2. VARIES +.00, -.06
3. VARIES +.000, -.001
4. ON STANDARD MOTORS THIS IS CONDUIT SIZE. ON XT AND CORROSION PROOF MOTOR THIS IS PIPE TAP.
5. MOTOR WEIGHTS MAY VARY BY 15% DEPENDING ON RATING.
6. OBSTRUCTION MUST NO ENCROACH ON AIR INLET.
7. AIR DEFLECTOR INSTALLED WHEN REQUIRED.

CONDUIT BOX LOCATED ON OPPOSITE SIDE WHEN F-2.
IF MOUNTING CLEARANCE DETAILS ARE REQUIRED, CONSULT FACTORY.
MAXIMUM PERMISSIBLE SHAFT RUNOUT WHEN MEASURED AT END OF STANDARD SHAFT EXTENSION IS .08 MM T.I.R. TO 127 MM DIA.

5 WEIGHT (KGS): 1140

DRIVE END AIR DEFLECTOR IS ONLY INCLUDED WHEN NECESSARY.

DIMENSIONS ARE IN MILLIMETERS; SEE SHEET 1 FOR DIMENSIONS IN INCHES

CUSTOMER IS RESPONSIBLE FOR DETERMINING THAT MOTOR PERFORMANCE IS SUITABLE IN THE APPLICATION.

REV. DESC: CHANGING ENCLOSURE TO "TOTALLY ENCLOSED" WAS "UL..."			
REV: A	VERSION: 01	REVISED: 08/25/13 02/15/2013	TDR: 000000786306
MODEL NO. 617427-002		REF:	
BY: MGHWC	Material:	C	

BALDOR

G447T-445T STD - FOOTED - SIDE/CENTER CB

617427-002

200-272719

416820-036

A-C MOTOR
 CONNECTION DIAGRAM
 STANDARD 3 LEAD CONNECTED



(N.P. 1575-BA)

416820-036

REV. DESC: LOADED TO BUS, C/R 335225		
REV. LTR: -	VERSION: 00	TDR: 000000538207
FILE: \MGA\00000\682	REVISED: 11:54:06 04/30/2010	
MTL: -	BY: RAGRA	

BALDOR

CONN DIAG - STANDARD 3 LEAD

SH 1 of 1

Marketing maintained PDF of MN408:

<http://www.baldor.com/support/Literature/Load.ashx/MN408?ManNumber=MN408>

Marketing maintained PDF of MN416:

<http://www.baldor.com/support/Literature/Load.ashx/MN416?ManNumber=MN416>