

BALDOR® • **RELIANCE**

Product Information Packet

EJMM3550T

1.5HP,3480RPM,3PH,60HZ,143JM,3520M,TEFC

Part Detail							
Revision:	G	Status:	PRD/A	Change #:		Proprietary:	No
Type:	AC	Prod. Type:	3520M	Elec. Spec:	35WGM760	CD Diagram:	CD0005
Enclosure:	TEFC	Mfg Plant:		Mech. Spec:	35T921	Layout:	35LYT921
Frame:	143JM	Mounting:	F1	Poles:	02	Created Date:	05-24-2010
Base:	RG	Rotation:	R	Insulation:	F	Eff. Date:	11-30-2015
Leads:	9#18					Replaced By:	
Literature:		Elec. Diagram:					

Nameplate NP3441L										
CAT.NO.	EJMM3550T									
SPEC.	35T921M760G1									
HP	1.5									
VOLTS	230/460									
AMP	3.8/1.9									
RPM	3500									
FRAME	143JM			HZ	60				PH	3
SER.F.	1.15		CODE	L		DES	B		CL	F
NEMA-NOM-EFF	84		PF	85						
RATING	40C AMB-CONT									
CC	010A					USABLE AT 208V	4			
DE	6206			ODE	6203					
ENCL	TEFC		SN							
VPWM INVERTER READY										
CT6-60H(10:1)VT3-60H(20:1)										

Parts List		
Part Number	Description	Quantity
SA196996	SA 35T921M760G1	1.000 EA
RA184435	RA 35T921M760G1	1.000 EA
34FN3002B01	EXTERNAL FAN, PLASTIC, .637/.639 HUB W/	1.000 EA
S/P107-000-001	SUPER E PROC'S-FS, WS & CK PLTS	1.000 EA
NS2512A01	INSULATOR, CONDUIT BOX X	1.000 EA
35CB3007	35 CB CASTING W/.88 DIA. LEAD HOLE	1.000 EA
36GS1000SP	GASKET-CONDUIT BOX, .06 THICK #SV-330 LE	1.000 EA
51XB1016A07	10-16 X 7/16 HXWSSLD SERTYB	2.000 EA
11XW1032G06	10-32 X .38, TAPTITE II, HEX WSHR SLTD U	1.000 EA
35EP3100M07	FREP TEFC 203BRG,GRSR,RLF(RAISED FH PADS	1.000 EA
HW4500A01	1641B(ALEMITE)400 UNIV, GREASE FITT	1.000 EA
HW4500A17	317400 ALEMITE GREASE RELIEF	1.000 EA
HW5100A03SP	WAVY WASHER (W1543-017)	1.000 EA
35EP3401T05	FACE ENCL 206 BRG W/GRS, RELIEF & TGHSLV	1.000 EA
HW4500A01	1641B(ALEMITE)400 UNIV, GREASE FITT	1.000 EA
HW4500A17	317400 ALEMITE GREASE RELIEF	1.000 EA
51XN1032A20	10-32 X 1 1/4 HX WS SL SR	2.000 EA
35FH4005A86	IEC FH W/GRSR, NO DIMPLES W/PRIMER	1.000 EA
51XW1032A06	10-32 X .38, TAPTITE II, HEX WSHR SLTD S	3.000 EA
HA1005A02	SLINGER, OD 2.00, ID 1.14, 206 BRG,	1.000 EA
35CB4521	35 LIPPED CB LID (GALV & PHOSPH)	1.000 EA
35GS1030	35 GS FOR CB LID - LEXIDE	1.000 EA
51XW0832A07	8-32 X .44, TAPTITE II, HEX WSHR SLTD SE	4.000 EA
HW2501D13	KEY, 3/16 SQ X 1.375	1.000 EA

Parts List (continued)		
Part Number	Description	Quantity
HA7000A01	KEY RETAINER 7/8" DIA SHAFT	1.000 EA
85XU0407S04	4X1/4 U DRIVE PIN STAINLESS	2.000 EA
MJ1000A02	GREASE, POLYREX EM EXXON (USe 4824-15A)	0.050 LB
MG1000Y03	MUNSELL 2.53Y 6.70/ 4.60, GLOSS 20,	0.017 GA
HA3100A15	THRUBOLT 10-32 X 8.375	4.000 EA
LC0005E01	CONN.DIA./WARNING LABEL (LC0005/LB1119N)	1.000 EA
NP3441L	ALUM SUPER-E VPWM INVERTER READY UL	1.000 EA
36PA1000	PKG GRP, PRINT PK1016A06	1.000 EA
MN416A01	TAG-INSTAL-MAINT no wire (1000/bx) 11/14	1.000 EA

AC Induction Motor Performance Data

Record # 52482 - Typical performance - not guaranteed values

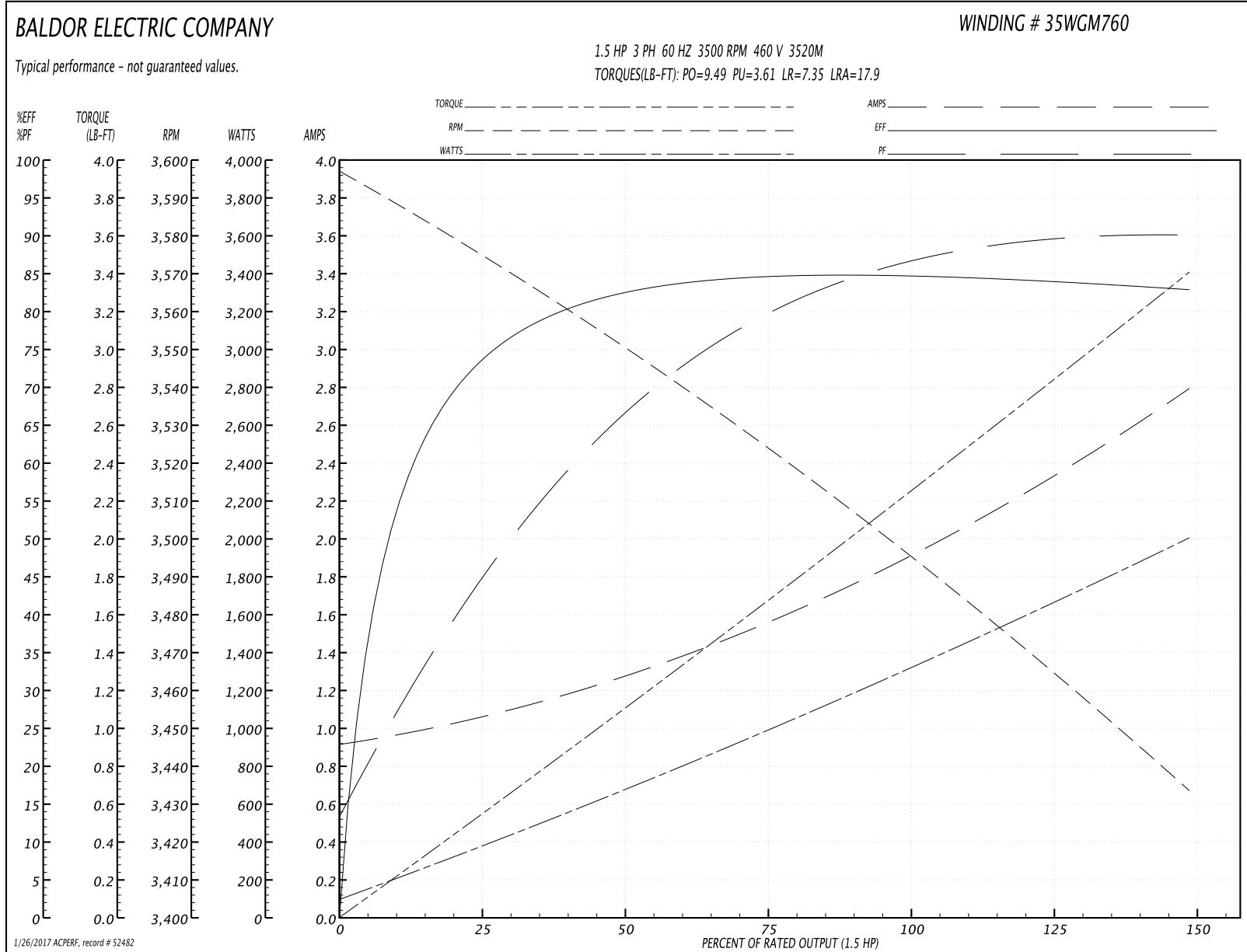
Winding: 35WGM760-R051	Type: 3520M	Enclosure: TEFC
-------------------------------	--------------------	------------------------

Nameplate Data				460 V, 60 Hz: High Voltage Connection	
Rated Output (HP)	1.5			Full Load Torque	2.22 LB-FT
Volts	230/460			Start Configuration	direct on line
Full Load Amps	3.8/1.9			Breakdown Torque	9.49 LB-FT
R.P.M.	3500			Pull-up Torque	3.61 LB-FT
Hz	60	Phase	3	Locked-rotor Torque	7.35 LB-FT
NEMA Design Code	B	KVA Code	L	Starting Current	17.9 A
Service Factor (S.F.)	1.15			No-load Current	0.932 A
NEMA Nom. Eff.	84	Power Factor	85	Line-line Res. @ 25°C	12.2 Ω
Rating - Duty	40C AMB-CONT			Temp. Rise @ Rated Load	43°C
S.F. Amps				Temp. Rise @ S.F. Load	50°C
				Locked-rotor Power Factor	60.1
				Rotor inertia	0.0553 LB-FT ²

Load Characteristics 460 V, 60 Hz, 1.5 HP

% of Rated Load	25	50	75	100	125	150	S.F.
Power Factor	45	67	79	85	89	90	87
Efficiency	72.3	82.2	84.4	84.8	84.3	82.8	84.5
Speed	3575	3551	3526	3498	3466	3433	3479
Line amperes	1.03	1.25	1.55	1.91	2.31	2.79	2.15

Performance Graph at 460V, 60Hz, 1.5HP Typical performance - Not guaranteed values



AC Induction Motor Performance Data

Record # 59170 - Typical performance - not guaranteed values

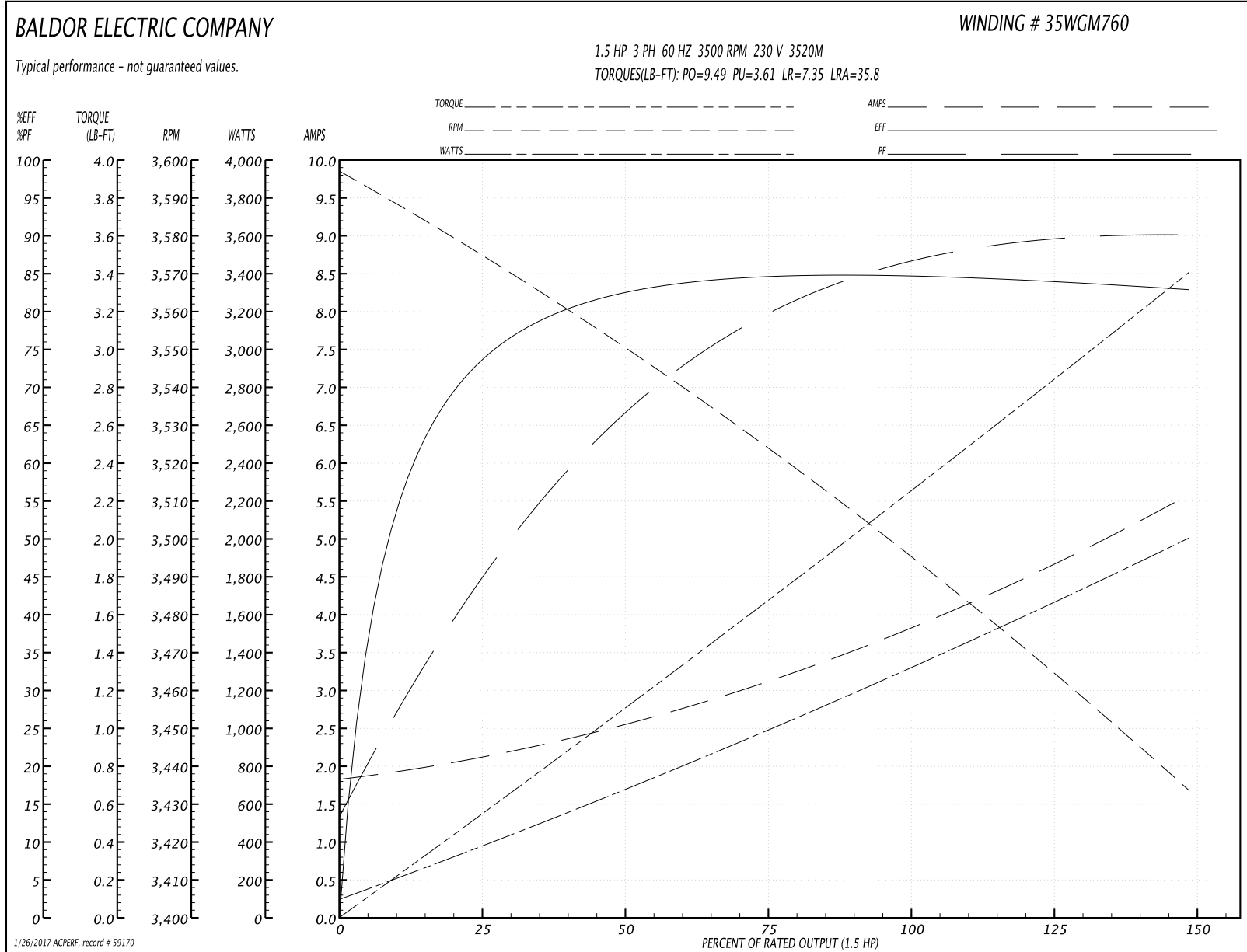
Winding: 35WGM760-R051	Type: 3520M	Enclosure: TEFC
-------------------------------	--------------------	------------------------

Nameplate Data				230 V, 60 Hz: Low Voltage Connection	
Rated Output (HP)	1.5			Full Load Torque	2.22 LB-FT
Volts	230/460			Start Configuration	direct on line
Full Load Amps	3.8/1.9			Breakdown Torque	9.49 LB-FT
R.P.M.	3500			Pull-up Torque	3.61 LB-FT
Hz	60	Phase	3	Locked-rotor Torque	7.35 LB-FT
NEMA Design Code	B	KVA Code	L	Starting Current	35.8 A
Service Factor (S.F.)	1.15			No-load Current	1.86 A
NEMA Nom. Eff.	84	Power Factor	85	Line-line Res. @ 25°C	3.04 Ω
Rating - Duty	40C AMB-CONT			Temp. Rise @ Rated Load	43°C
S.F. Amps				Temp. Rise @ S.F. Load	50°C
				Locked-rotor Power Factor	60.1
				Rotor inertia	0.0553 LB-FT ²

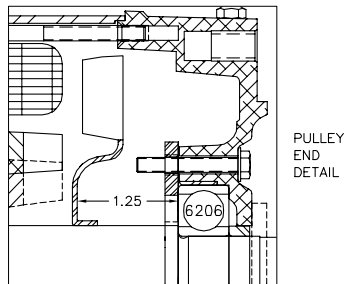
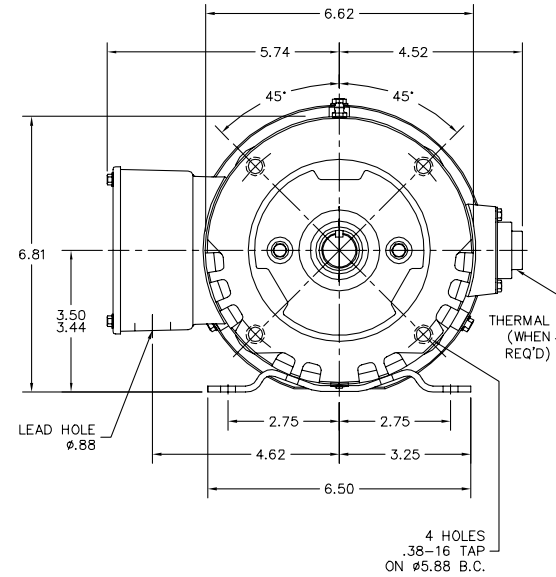
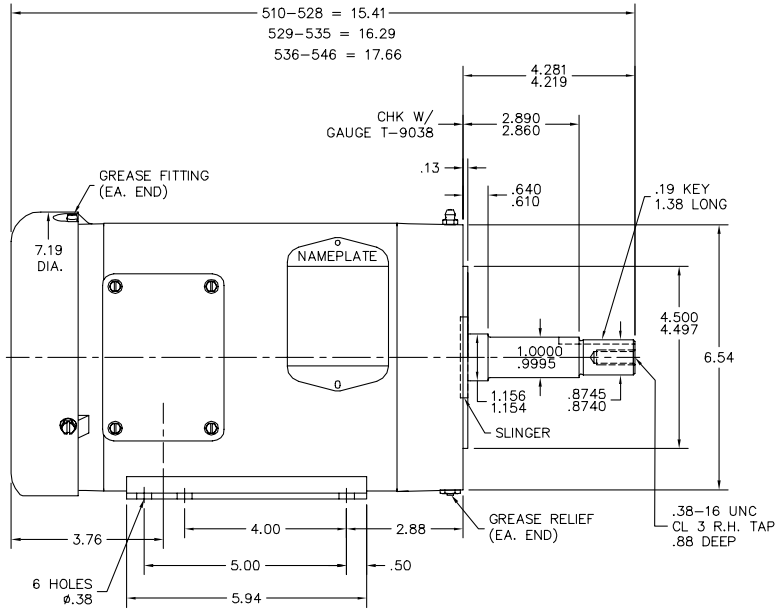
Load Characteristics 230 V, 60 Hz, 1.5 HP

% of Rated Load	25	50	75	100	125	150	S.F.
Power Factor	45	67	79	85	89	90	87
Efficiency	72.3	82.2	84.4	84.8	84.3	82.8	84.5
Speed	3575	3551	3526	3498	3466	3433	3479
Line amperes	2.06	2.5	3.1	3.82	4.62	5.58	4.3

Performance Graph at 230V, 60Hz, 1.5HP Typical performance - Not guaranteed values



35LYT921



CUSTOMER IS RESPONSIBLE FOR DETERMINING THAT BALDOR'S PRODUCT WILL PERFORM SUITABLY IN THE INTENDED APPLICATION.

REV. DESC: UPDATE PARTS	VERSION: 01	TDR: 00000892395
REV. LTR: A	REVISED: 09:38:21 02/17/2015	BY: ENBENBO
FILE: \AAA\00111\048		
MTL: -		

BALDOR

HORZ FACE MTD 143-5JM TEFC 35M, 2 POLE "W" BASE (35BA4009)

SH 1 of 1

35LYT921

CD0005

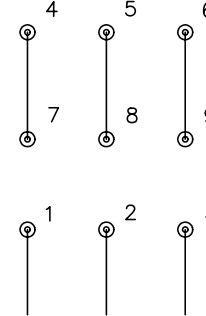


LOW VOLTAGE
(2Y)



LINE

HIGH VOLTAGE
(1Y)



LINE

NOTES:

1. INTERCHANGE ANY TWO LINE LEADS TO REVERSE ROTATION.
2. OPTIONAL THERMOSTATS ARE PROVIDED WHEN SPECIFIED.
3. ACTUAL NUMBER OF INTERNAL PARALLEL CIRCUITS MAY BE A MULTIPLE OF THOSE SHOWN ABOVE.
4. LEAD COLORS ARE OPTIONAL. LEADS MUST ALWAYS BE NUMBERED AS SHOWN.

REV. DESC: REVISE TO SHOW OPTIONAL COLORS			
REV. LTR: E	BY: JLP	REVISED: 01/19/99 10:15	TDR: 0171435
90000		FILE: AAA00005140	MDL: -
		MTL: -	

BALDOR ELECTRIC Co.

3PH, DV, 9 LEADS

CD0005