

BALDOR® • ***RELIANCE***

Product Information Packet

EM2554T-4CI

125HP,3565RPM,3PH,60HZ,404TS,ODP,FOOT,

Part Detail							
Revision:	F	Status:	PRD/A	Change #:		Proprietary:	No
Type:	AC	Prod. Type:	A40048M	Elec. Spec:	A40WG0224	CD Diagram:	416820-036
Enclosure:	DP	Mfg Plant:		Mech. Spec:		Layout:	611750-501
Frame:	404TS	Mounting:	F1	Poles:	02	Created Date:	10-19-2010
Base:		Rotation:	R	Insulation:	B	Eff. Date:	05-14-2013
Leads:	3#2					Replaced By:	
Literature:		Elec. Diagram:					

Nameplate NP2383L										
CAT.NO.	EM2554T-4CI			SPEC NO.	P40G295					
HP	125	AMPS	143	VOLTS	460	DESIGN	B			
FRAME	404TS	RPM	3565	HZ	60	AMB	40	SF	1.15	
DRIVE END BEARING	65BC03J30X			PHASE	3	DUTY	CONT		INSUL.CLASS	B
OPP D.E. BEARING	65BC03J30X			TYPE	P	ENCL	DP	CODE	F	
SER.NO.				POWER FACTOR	86	NEMA-NOM-EFFICIENCY	95			
NEMA NOM/CSA QUOTED EFF				MAX CORR KVAR	25.0	GUARANTEED EFFICIENCY	94.5			
				MOTOR WEIGHT	997					

Parts List		
Part Number	Description	Quantity
SA209223	SA P40G295	1.000 EA
RA196485	RA P40G295	1.000 EA
000613006PU	N/P (RELEASE QTY 10,000) UL CSA LABLE	1.000 EA
000692000VD	LABEL WARNING	1.000 EA
NP2383L	SUPER-E ,SS, CC, CSA-C US, CSA EEV	1.000 EA
032018012AK	HHCS 1/4-20X1-1/2 PLTD.	4.000 EA
032018020DK	HHCS 1/2-13X2-1/2 PLTD.	2.000 EA
032018026DK	HHCS 1/2-13X3-1/4L PLTD.	2.000 EA
032018028CK	HHCS 3/8-16X3-1/2 PLTD.	3.000 EA
034000012AB	WSHR 1/4 STD. PLATED	4.000 EA
034017012AB	LCKW 1/4 STD. PLATED	4.000 EA
034600001AA	BUSH 1/4TO1/8 BLACK	1.000 EA
035000001G	GREASE RELIEF FITTING, ALEMITE 317400	1.000 EA
089407082A	BRKT 400 089407081WCB	1.000 EA
405851012AF	SPACE	4.000 EA
410700004F	WSHR	1.000 EA
702609001A	BAFFL 400 SUB PAINT	1.000 EA
702609001A	BAFFL 400 SUB PAINT	1.000 EA
405851012AF	SPACE	4.000 EA
034600001AA	BUSH 1/4TO1/8 BLACK	1.000 EA
035000001G	GREASE RELIEF FITTING, ALEMITE 317400	1.000 EA
089407082A	BRKT 400 089407081WCB	1.000 EA
034000012AB	WSHR 1/4 STD. PLATED	4.000 EA
034017012AB	LCKW 1/4 STD. PLATED	4.000 EA

Parts List (continued)		
Part Number	Description	Quantity
032018028CK	HHCS 3/8-16X3-1/2 PLTD.	3.000 EA
032018026DK	HHCS 1/2-13X3-1/4L PLTD.	2.000 EA
032018020DK	HHCS 1/2-13X2-1/2 PLTD.	2.000 EA
032018012AK	HHCS 1/4-20X1-1/2 PLTD.	4.000 EA
004824015A	GREASE POLYREX EM	1.000 LB
032018010CK	HHCS 3/8-16X1-1/4 PLTD.	4.000 EA
033512004LB	HHTTS 1/4-20X1/2 PLTD.	1.000 EA
033512008LB	HHTTS 1/4-20X1 PLATED	4.000 EA
035000001A	ALFTG 1/8" 1610-BL	1.000 EA
035000001A	ALFTG 1/8" 1610-BL	1.000 EA
048897010DG	PLUG,ODE BRKT - 360	1.000 EA
065776000V	TERBD 320-400	1.000 EA
067053000B	GASK 320-400	1.000 EA
076708000BB	C/B - 360	1.000 EA
076709000A	C/B - 360	1.000 EA
415000103D	T/LUG #4AWG-1/0AWG W/HOLE FOR .250 BOLT	1.000 EA
418150003A	GREASE FITTING CAP	1.000 EA
033775004EA	DRSCR #6-1/4 304 S.S.	2.000 EA
418150003A	GREASE FITTING CAP	1.000 EA
034180022GA	KEY 1/2X1/2X2-3/4 L	1.000 EA
PK5004A02	WOOD BASE 40X32 STACK 2X4 RUNNER	1.000 EA
MG1025N19	WILKO 778.50 BLUE GREEN - 55 GAL DRUMS	0.250 GA
004824003CBY	WILKO PAINT 060.02 - ACTIVATOR	0.063 GA
421948051	LABEL, MYLAR	1.000 EA

N424002603DBA	LEAD SET 2-1 AWG 6-DB 400 FR 60 IN	1.000 EA
---------------	------------------------------------	----------

REL. S.O.	FRAME	HP	TYPE	PHASE/HERTZ	RPM	VOLTS
	404TS	125	P	3/60	3565	460
AMPS	DUTY	AMB °C/ INSUL.	S.F.	NEMA DESIGN	CODE LETTER	ENCL.
143	CONT	40/B	1.15	B	F	PROT
E/S	ROTOR	TEST S.O.	TEST DATE	STATOR RES. @25 °C (OHMS (BETWEEN LINES))		
595946	418142005RE	---	---	.0477		

PERFORMANCE						
LOAD	HP	AMPERES	RPM	POWER FACTOR %	EFFICIENCY %	
NO LOAD	0	43.0	3600	5.28	0	
1/4	31.3	55.4	3591	57.4	92.1	
2/4	62.5	79.2	3582	77.9	94.8	
3/4	93.7	109	3573	84.2	95.2	
4/4	125	143	3563	86.2	95.0	
5/4	156	177	3552	87.3	94.5	

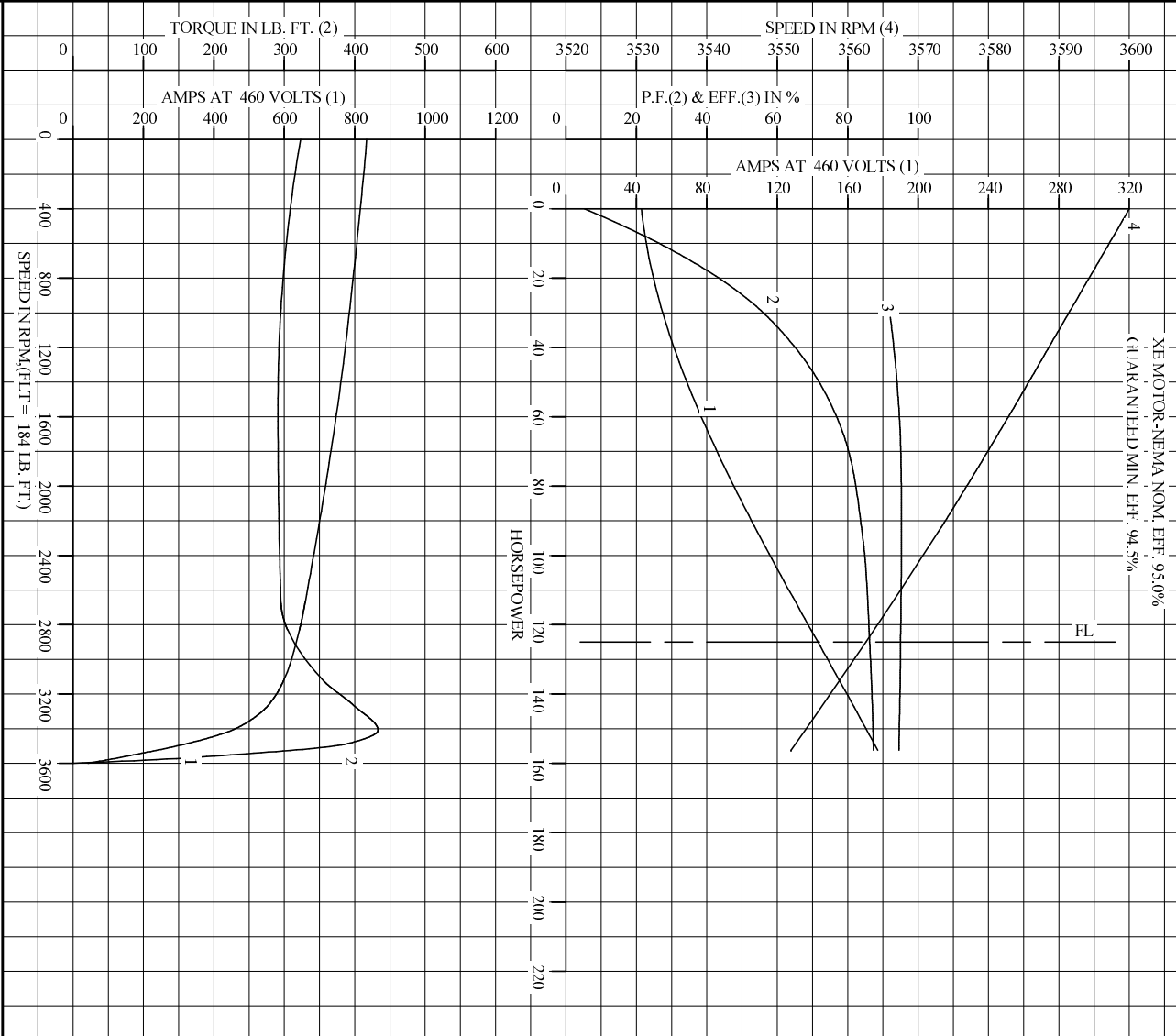
SPEED TORQUE						
	RPM	TORQUE % FULL LOAD	TORQUE LB.-FT.	AMPERES		
LOCKED ROTOR	0	175	323	834		
PULL UP	1545	158	291	751		
BREAKDOWN	3409	235	433	451		
FULL LOAD	3563	100	184	143		

AMPERES SHOWN FOR 460. VOLT CONNECTION. IF OTHER VOLTAGE CONNECTIONS ARE AVAILABLE, THE AMPERES WILL VARY INVERSELY WITH THE RATED VOLTAGE

REMARKS: TYPICAL DATA
 XE MOTOR-NEMA NOM. EFF. 95.0%
 GUARANTEED MIN. EFF. 94.5%

BALDOR	DR. BY	W. L. SMITH	A-C MOTOR	
	CK. BY	G. R. WEBB		PERFORMANCE DATA
	APP. BY	D. M. BYRD		ISSUE DATE
	DATE	03/05/02	12/15/10	

REL. S.O. _____ RPM 3565 S.F. 1.15 ROTOR 418142005RE
 FRAME 404TS VOLTS 460 NEMA DESIGN B TEST S.O. TYPICAL DATA
 HP 125 AMPS 143 CODE LETTER F TEST DATE ---
 TYPE P DUTY CONT ENCLOSURE PROT STATOR RES. @ 25 °C .0477
 PHASE/HERTZ 3/60 AMB °C/INSUL 40/B E/S 595946 OHMS (BETWEEN LINES)



AMPERES SHOWN FOR 460 VOLT CONNECTION, IF OTHER VOLTAGE CONNECTIONS ARE AVAILABLE, THE AMPERES WILL VARY INVERSELY WITH THE RATED VOLTAGE.

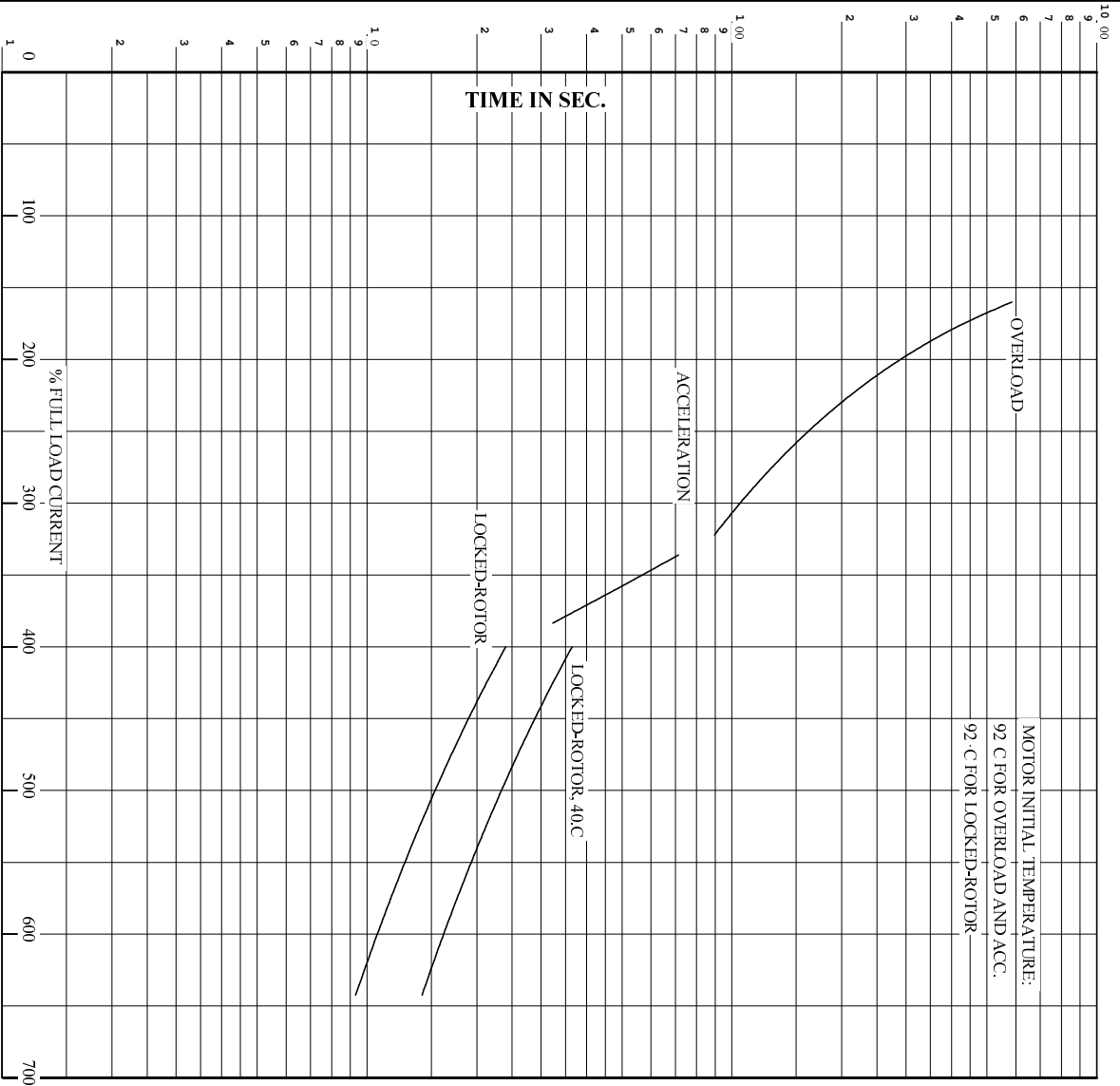
BALDOR

DR. BY W.L. SMITH
 CK. BY G.R. WEBB
 APP. BY D.M. BYRD
 DATE 030502

A-C MOTOR PERFORMANCE CURVES A40W/G0224R002
 ISSUE DATE 12/15/10

Printed on 12/15/10 16:07 @ psecs-motorengr

REL. S.O. RPM 3565 S.F. 1.15 ROTOR 418142005RE
 FRAME 404TS VOLTS 460 NEMA DESIGN B TEST S.O. TYPICAL DATA
 HP 125 AMPS 143 CODE LETTER F TEST DATE ---
 TYPE P DUTY CONT ENCLOSURE PROT STATOR RES. @ 25 °C . 0477
 PHASE/HERTZ 3/60 AMB °C/INSUL 40/B E/S 595946 OHMS (BETWEEN LINES)



REMARKS: THERMAL LIMIT CURVE
 XE MOTOR-NEMA NOM. EFF. 95.0%
 GUARANTEED MIN. EFF. 94.5%

AMPERES SHOWN FOR 460 VOLT CONNECTION, IF OTHER VOLTAGE CONNECTIONS ARE AVAILABLE, THE AMPERES WILL VARY INVERSELY WITH THE RATED VOLTAGE.



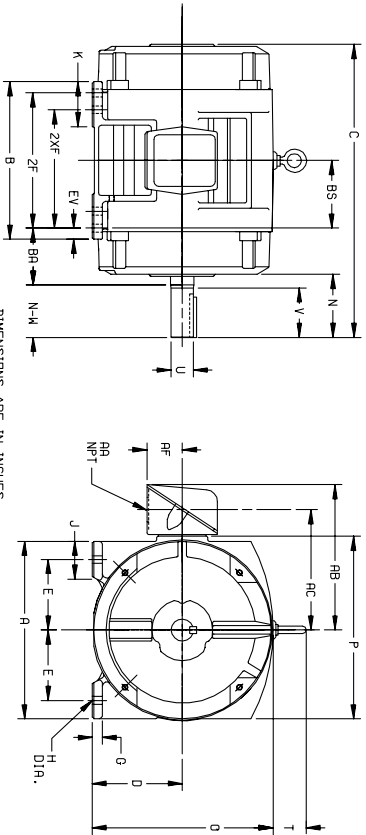
DR. BY W. L. SMITH
 CK. BY G. R. WEBB
 App. BY D. M. BYRD
 DATE 03/05/02

A-C MOTOR
PERFORMANCE A40WG0224-R002
CURVES ISSUE DATE 12/15/10

611750-501

DUTY MASTER ALTERNATING CURRENT MOTORS
 SQUIREL-CAGE INDUCTION
 CAST IRON CONSTRUCTION

ENCLOSURE: PROTECTED
 MOUNTING: FOOT
 COOLING: SELF-VENTILATED
 FRAMES 250T THRU 440T



DIMENSIONS ARE IN INCHES

FRAME	A	DIG2	E	G	H	J	K	D	P	T	CAST IRON TERMINAL BOX						EV
254T-256T	12.50	6.25	5.00	6.9	5.6	2.25	3.50	12.61	12.69	2.44	1-1/4	10.25	8.25	2.50	4.25	6.2	
284T-286TS	14.00	7.00	5.50	7.5	5.6	2.75	3.75	14.12	14.31	2.44	1-1/2	12.06	9.62	3.19	4.75	1.00	
324T-326TS	15.75	8.00	6.25	8.8	6.9	3.12	4.00	16.10	16.42	2.44	2	14.75	11.00	3.62	5.25	1.00	
364T-365TS	17.00	9.00	7.00	9.8	6.9	3.00	3.62	18.30	19.56	2.94	3	18.00	13.81	4.12	5.88	1.00	
404T-405TS	19.00	10.00	8.00	11.2	8.1	3.25	4.75	20.56	21.81	2.94	3	19.00	14.81	3.12	6.62	1.12	
444T-445TS	21.00	11.00	9.00	12.8	8.1	3.25	5.25	22.91	23.62	3.25	3	21.44	16.69	5.00	7.50	1.25	

FRAME	SIZE	C	BS	B	ZF	2XF	N	SHAFT AND KEY			WEIGHT LBS. (3)	
								N-W(6)	U(3)	V		S.O.
254T	22.44	5.00	11.25	---	8.25	4.25	4.00	1.625	3.75	3.75	2.75	265
256T	22.44	5.00	11.25	---	8.25	4.25	4.00	1.625	3.75	3.75	2.75	275
284T	24.94	5.50	13.00	---	9.50	4.88	4.62	1.875	4.38	5.00	3.25	340
284TS	23.96	5.50	13.00	---	9.50	3.50	3.25	1.625	3.00	3.75	1.88	340
286T	24.94	5.50	13.00	---	9.50	4.88	4.62	1.875	4.38	5.00	3.25	370
286TS	23.96	5.50	13.00	---	9.50	3.25	3.25	1.625	3.00	3.75	1.88	370
324T	27.96	6.00	14.00	---	10.50	5.50	5.25	2.185	5.00	5.00	3.75	480
324TS	26.96	6.00	14.00	---	10.50	4.00	3.75	1.875	3.50	5.00	2.00	480
364T	27.96	6.00	14.00	---	10.50	5.25	5.25	2.185	5.00	5.00	3.75	520
364TS	26.96	6.00	14.00	---	10.50	4.00	3.75	1.875	3.50	5.00	2.00	520
366T	29.70	6.12	14.25	---	11.25	6.12	5.88	2.375	5.62	6.25	4.25	735
366TS	27.98	6.12	14.25	---	11.25	4.00	3.75	1.875	3.50	5.00	2.00	730
404T	34.00	6.88	16.00	---	12.25	7.62	7.25	2.875	7.00	7.50	5.00	1045
404TS	31.00	6.88	16.00	---	12.25	4.00	3.75	1.875	3.50	5.00	2.00	1045
405T	34.00	6.88	16.00	---	12.25	7.62	7.25	2.875	7.00	7.50	5.00	1085
405TS	31.00	6.88	16.00	---	12.25	4.62	4.25	2.185	4.00	5.00	2.75	1085
444T	39.56	8.25	19.00	---	14.50	8.94	8.50	3.375	8.25	8.75	6.88	1795
444TS	35.81	8.25	19.00	---	14.50	5.19	4.75	2.375	4.50	6.25	3.00	1790
445T	39.56	8.25	19.00	---	14.50	8.94	8.50	3.375	8.25	8.75	6.88	1770
445TS	35.81	8.25	19.00	---	14.50	5.19	4.75	2.375	4.50	6.25	3.00	1770

- (1) SPECIAL DIMENSIONS APPLYING TO THIS ORDER ON THIS LINE.
- (2) 'P' VARIES -250T - 320T +.00, -0.3
- (3) 'U' VARIES +.000, -0.01
- (4) ALL FRAMES HAVE EIGHT MOUNTING HOLES FOR DUAL MOUNTING.
- (5) MOTOR WEIGHTS MAY VARY BY 15% DEPENDING UPON RATING.
- (6) 'N'-W' VARIES +.00, -.25.

CONDUIT BOX LOCATED ON OPPOSITE SIDE WHEN F-2W-1,
 V-4-W-5-W-7, DR C-1 MOUNTING IS SPECIFIED.
 IF MOUNTING CLEARANCE DETAILS ARE REQUIRED, CONSULT
 FACTORY.
 MAXIMUM PERMISSIBLE SHAFT RUNOUT WHEN MEASURED
 AT END OF S/DL. SHAFT EXTENSION IS .002 I.P.R. UP TO
 AND INCLUDING 1.625 DIA. AND .003 I.P.R. ABOVE 1.625
 TO 3 INCH DIA.

FRAME- _____ TYPE- _____ CERTIFIED FOR- _____
 ORDER- _____ ITEM- _____ HP- _____ RPM- _____ PH- _____ HZ _____ VOLTS _____
 SALES ORDER- _____ APPROVED BY- _____ DATE _____
 105-057119

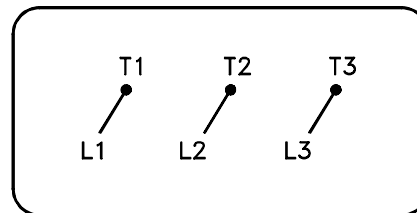
CUSTOMER IS RESPONSIBLE FOR DETERMINING THAT BALDOR'S PRODUCT WILL PERFORM SUITABLY IN THE INTENDED APPLICATION.

REV. DESC: LOADED TO BUS	VERSION: 01	TDR: 000000546464
REV. LTR: A	REVISED: 03:18:49 06/22/2010	BY: RAGHZT
FILE: \\RAG\00009\279		
MTL: -		

BALDOR
 DIM SHT-250T-440T
 SH 1 of 1

416820-036

A-C MOTOR
 CONNECTION DIAGRAM
 STANDARD 3 LEAD CONNECTED



(N.P. 1575-BA)

416820-036

REV. DESC: LOADED TO BUS, C/R 335225		
REV. LTR: -	VERSION: 00	TDR: 000000538207
FILE: \MGA\00000\682	REVISED: 11:54:06 04/30/2010	
MTL: -	BY: RAGRA	

BALDOR

CONN DIAG - STANDARD 3 LEAD

SH 1 of 1

Marketing maintained PDF of MN408:

<http://www.baldor.com/support/Literature/Load.ashx/MN408?ManNumber=MN408>

Marketing maintained PDF of MN416:

<http://www.baldor.com/support/Literature/Load.ashx/MN416?ManNumber=MN416>