

# **BALDOR**® • **RELIANCE**

## **Product Information Packet**

# **EM4314T-12**

**60HP, 1780RPM, 3PH, 60HZ, 364T, A36062M, TEFC**

Part Detail							
Revision:	J	Status:	PRD/A	Change #:		Proprietary:	No
Type:	AC	Prod. Type:	A36062M	Elec. Spec:	A36WG1217	CD Diagram:	416820-020
Enclosure:	TEFC	Mfg Plant:		Mech. Spec:		Layout:	617428-012
Frame:	364T	Mounting:	F1	Poles:	04	Created Date:	12-20-2010
Base:		Rotation:	R	Insulation:	B	Eff. Date:	09-26-2016
Leads:	12#6					Replaced By:	
Literature:		Elec. Diagram:					

Nameplate NP2383L										
CAT.NO.	EM4314T-12			SPEC NO.	P36G3432					
HP	60	AMPS	136/68		VOLTS	230/460		DESIGN	B	
FRAME	364T	RPM	1780	HZ	60	AMB	40	SF	1.15	
DRIVE END BEARING	65BC03J30X			PHASE	3	DUTY	CONT		INSUL.CLASS	F
OPP D.E. BEARING	65BC03J30X			TYPE	P	ENCL	TEFC	CODE	G	
SER.NO.				POWER FACTOR	87		NEMA-NOM-EFFICIENCY	95		
NEMA NOM/CSA QUOTED EFF				MAX CORR KVAR	10.0		GUARANTEED EFFICIENCY	94.5		
				MOTOR WEIGHT	850					

Parts List		
Part Number	Description	Quantity
SA213624	SA P36G3432	1.000 EA
RA200844	RA P36G3432	1.000 EA
421948038R	LABEL, MYLAR	1.000 EA
000613006PU	N/P (RELEASE QTY 10,000) UL CSA LABEL	1.000 EA
000692000VD	LABEL WARNING	1.000 EA
NP2383L	SUPER-E ,SS, CC, CSA-C US, CSA EEV	1.000 EA
085922073B	BRKT 360 085922072WCC KB	1.000 EA
415072001B	CLAMP	1.000 EA
078559001A	+FANCV - 360	1.000 EA
034180012DA	KEY 1X4X1/4X1-1/2 L	1.000 EA
078548001K	FAN KB 100/30 (70) 360	1.000 EA
004824015A	GREASE POLYREX EM	0.540 LB
032018012DK	HHCS 1/2-13X1-1/2 PLTD.	4.000 EA
032018008AK	HHCS 1/4-20X1 PLATED	4.000 EA
032018024CK	HHCS 3/8-16X3 PLTD.	3.000 EA
415096002A	CPLG 1/8 HEX TYPE	1.000 EA
410700004F	WSHR	1.000 EA
035000001G	GREASE RELIEF FITTING, ALEMITE 317400	1.000 EA
034530052AB	P/NIP 1/8X6-1/2 GALV.	1.000 EA
034690001AB	SQHDPLG, COND	1.000 EA
034600001AA	BUSH 1/4TO1/8 BLACK	1.000 EA
034690001AB	SQHDPLG, COND	1.000 EA
034600001AA	BUSH 1/4TO1/8 BLACK	1.000 EA
085922073B	BRKT 360 085922072WCC KB	1.000 EA

<b>Parts List (continued)</b>		
<b>Part Number</b>	<b>Description</b>	<b>Quantity</b>
415045002E	SLGR	1.000 EA
032018012DK	HHCS 1/2-13X1-1/2 PLTD.	4.000 EA
032018024CK	HHCS 3/8-16X3 PLTD.	3.000 EA
035000001G	GREASE RELIEF FITTING, ALEMITE 317400	1.000 EA
077176000L	C/BOX, PAINTED 360-400	1.000 EA
077176001A	CBOXC, PAINTED 360-400	1.000 EA
043292000AJ	GASK 320-400	1.000 EA
402731001A	GASK 360-440	1.000 EA
418150003A	GREASE FITTING CAP	1.000 EA
MG1000Y03	MUNSELL 2.53Y 6.70/ 4.60, GLOSS 20,	0.250 GA
033775004EA	DRSCR #6-1/4 304 S.S.	2.000 EA
032018005AK	HHCS 1/4-20X5/8 PLATED	4.000 EA
032018008CK	HHCS 3/8-16X1L PLATED	4.000 EA
035000001A	ALFTG 1/8" 1610-BL	1.000 EA
415000103D	T/LUG #4AWG-1/0AWG W/HOLE FOR .250 BOLT	1.000 EA
406099000A	PLUG - FAN COVER 320-440	1.000 EA
033512004LB	HHTTS 1/4-20X1/2 PLTD.	1.000 EA
035000001A	ALFTG 1/8" 1610-BL	1.000 EA
418150003A	GREASE FITTING CAP	1.000 EA
034180034HA	KEY 5/8X5/8X4-1/4 L	1.000 EA
14PA1000	PACKAGING 314 GROUP COMBINED PRINT	1.000 EA

<b>Accessories</b>		
<b>Part Number</b>	<b>Description</b>	<b>Multiplier</b>
K36G2	C-FACE KIT	A8
085922068B	D-FLANGE BRKT 360 085922067WCA	P1


REL. S.O.	FRAME	HP	TYPE	PHASE/HERTZ	RPM	VOLTS
	364TZ	60	P	3/60	1780	230/460
AMPS	DUTY	AMB °C/ INSUL.	S.F.	NEMA DESIGN	CODE LETTER	ENCL.
136/68.0	CONT	40/F	0.00	B	G	TEFC-XE
E/S	ROTOR	TEST S.O.	TEST DATE	STATOR RES. @25 °C (BETWEEN LINES)		
892052	418141035YE	---	---	.0277/.110		

PERFORMANCE						
LOAD	HP	AMPERES	RPM	POWER FACTOR %	EFFICIENCY %	
NO LOAD	0	20.1	1800	4.67	0	
1/4	15.0	25.8	1795	58.6	93.0	
2/4	30.0	37.5	1791	78.7	95.2	
3/4	45.0	51.9	1786	85.0	95.3	
4/4	60.0	68.0	1781	87.0	95.0	
5/4	75.0	85.1	1775	87.5	94.3	

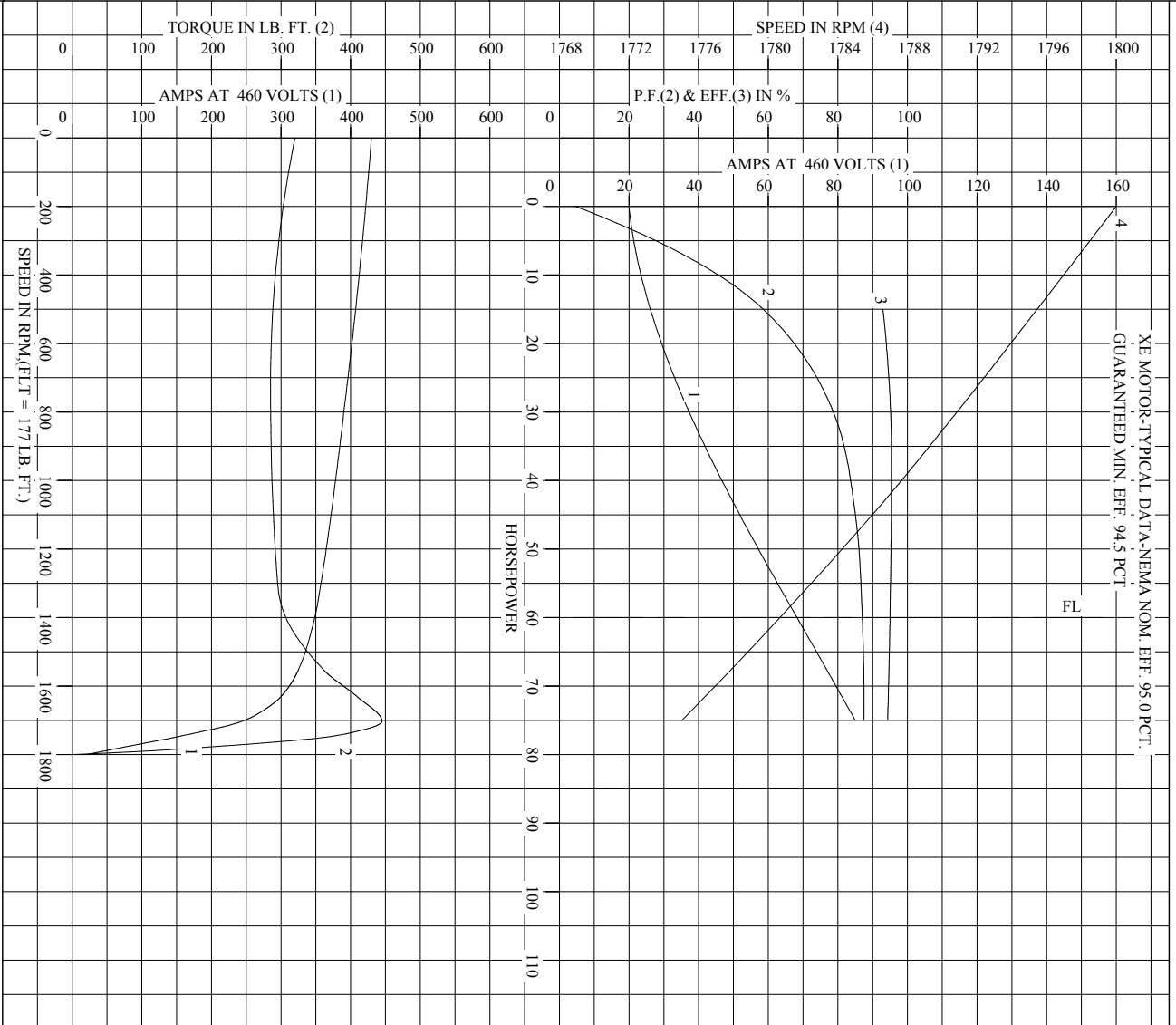
SPEED TORQUE						
	RPM	TORQUE % FULL LOAD	TORQUE LB.-FT.	AMPERES		
LOCKED ROTOR	0	181	320	430		
PULL UP	720	161	285	395		
BREAKDOWN	1703	251	445	244		
FULL LOAD	1781	100	177	68.0		

AMPERES SHOWN FOR 460. VOLT CONNECTION. IF OTHER VOLTAGE CONNECTIONS ARE AVAILABLE, THE AMPERES WILL VARY INVERSELY WITH THE RATED VOLTAGE

REMARKS: TYPICAL DATA  
 XE MOTOR-TYPICAL DATA-NEMA NOM. EFF. 95.0 PCT.  
 GUARANTEED MIN. EFF. 94.5 PCT.

 A MEMBER OF THE ABB GROUP	DR. BY J.J.HARRISON CK. BY W.I.SMITH APP. BY W.I.SMITH DATE 10/12/10	A-C MOTOR PERFORMANCE DATA A36WG1217-R001 ISSUE DATE 11/26/12
--	---	--

REL. S.O. \_\_\_\_\_ RPM 1780 S.F. .00 ROTOR 418141035YE  
 FRAME 364T2 VOLTS 230/460 NEMA DESIGN B TEST S.O. TYPICAL DATA  
 HP 60 AMPS 136/68.0 CODE LETTER G TEST DATE ---  
 TYPE P DUTY CONT ENCLOSURE TEFC-XE STATOR RES. @ 25 °C .0277/.110  
 PHASE/HERTZ 3/60 AMB °C/INSUL 40/F E/S 892052 OHMS (BETWEEN LINES)



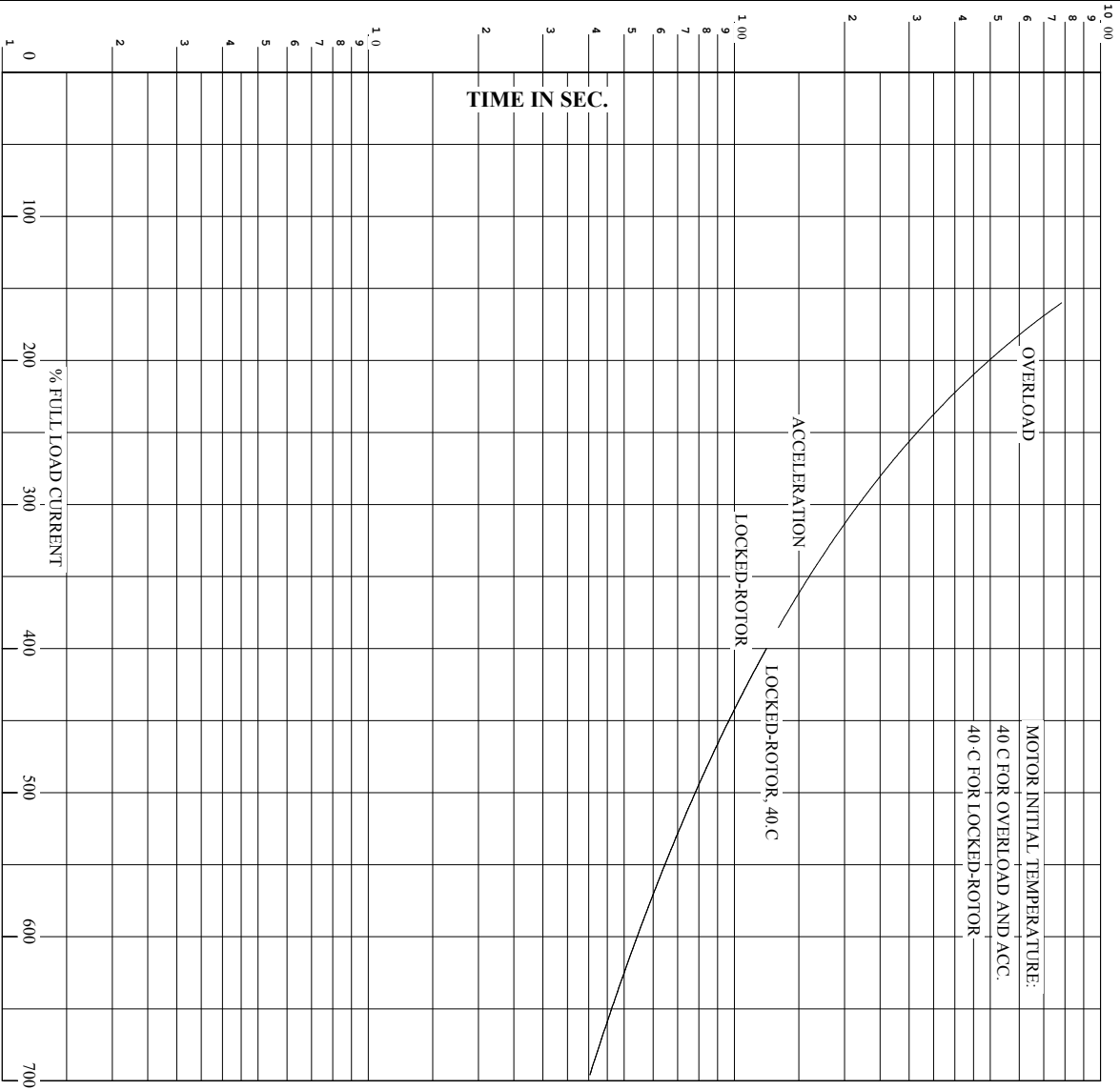
AMPS SHOWN FOR \_\_\_\_\_ 460 VOLT CONNECTION, IF OTHER VOLTAGE CONNECTIONS ARE AVAILABLE, THE AMPS WILL VARY INVERSELY WITH THE RATED VOLTAGE.

**BALDOR**  
 A MEMBER OF THE ABB GROUP

DR. BY	JJHARRISON	A-C MOTOR
CK. BY	WLSMITH	PERFORMANCE
APP. BY	WLSMITH	CURVES
DATE	10/2/10	A36WG1217-R001
		ISSUE DATE 11/26/12

Printed on 11/26/12 19:48 @ psecs-motorengr

REL. S.O. RPM 1780 S.F. .00 ROTOR 418141035YE  
 FRAME 364TZ VOLTS 230/460 NEMA DESIGN B TEST S.O. TYPICAL DATA  
 HP 60 AMPS 136/68.0 CODE LETTER G TEST DATE ---  
 TYPE P DUTY CONT ENCLOSURE TEFC-XE STATOR RES. @ 25 °C. 0.277/.110  
 PHASE/HERTZ 3/60 AMB °C/INSUL 40/F E/S 892052 OHMS (BETWEEN LINES)



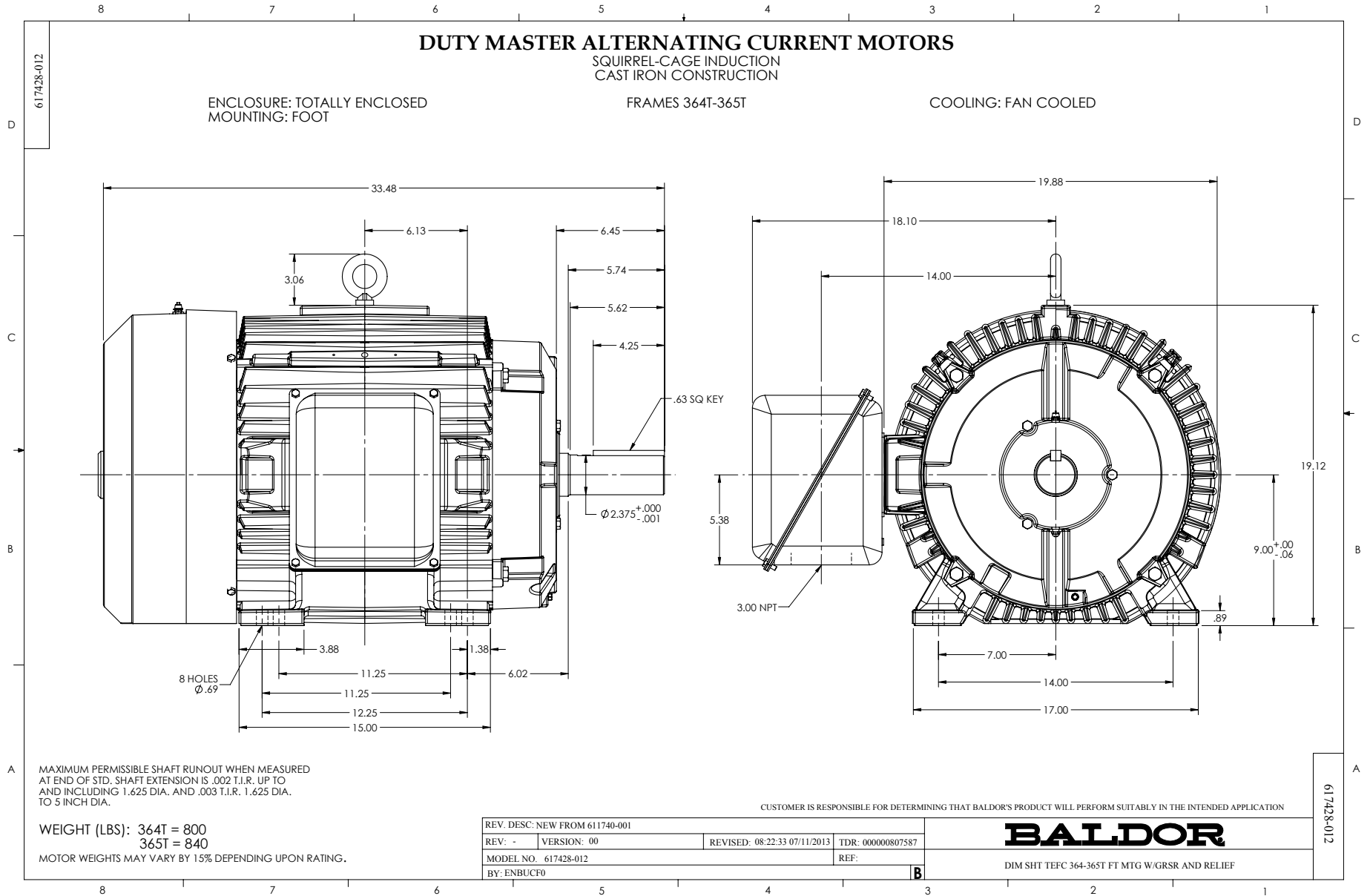
REMARKS: THERMAL LIMIT CURVE  
 XE MOTOR-TYPICAL DATA-NEMA NOM. EFF. 95.0 PCT.  
 GUARANTEED MIN. EFF. 94.5 PCT.

AMPERES SHOWN FOR 460 VOLT CONNECTION, IF OTHER VOLTAGE CONNECTIONS ARE AVAILABLE, THE AMPERES WILL VARY INVERSELY WITH THE RATED VOLTAGE.



DR. BY J.HARRISON  
 CK. BY W.L.SMITH  
 App. BY W.L.SMITH  
 DATE 10/2/10

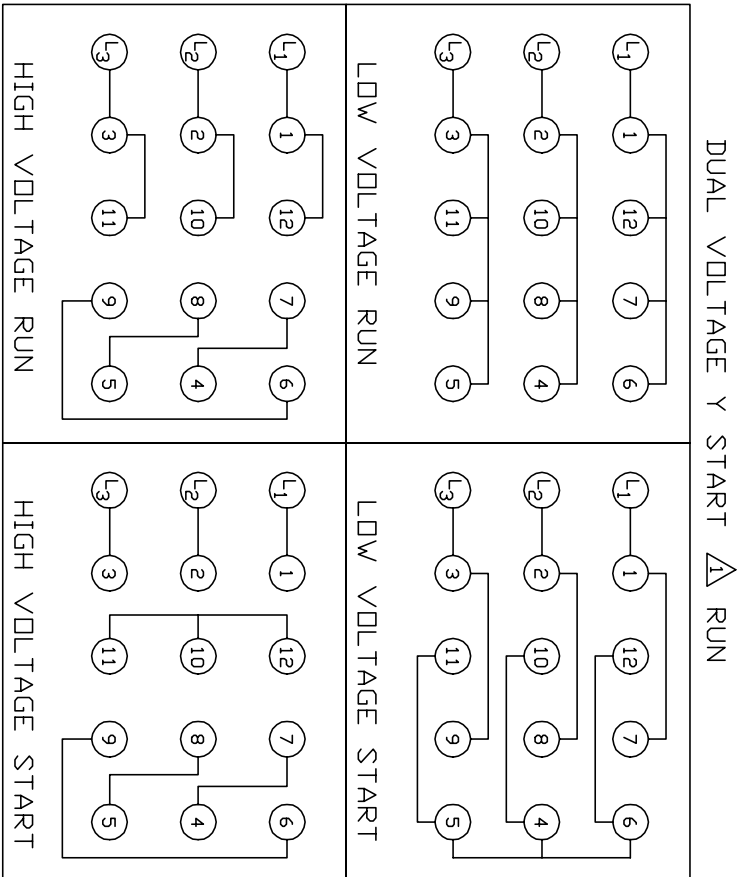
**A-C MOTOR**  
**PERFORMANCE**  
**CURVES**  
 A36WG1217-R001  
 ISSUE DATE 11/26/12



416820-020

A-C MOTOR  
CONNECTION DIAGRAM

416820-020



<410961-39/ 1575-AC>

CUSTOMER \_\_\_\_\_ CUSTOMER ORDER NO. \_\_\_\_\_ S. D. NO. \_\_\_\_\_

REV. DESC: LOADED TO BUS			
REV. LTR: A	VERSION: 01	TDR: 000000553773	
FILE: \RAG\00011\270		REVISED: 01:15:19 08/12/2010	
MTL: -		BY: RAGMTC	

**BALDOR**

A-C MOTOR CONNECTION DIAGRAM

SH 1 of 1