

BALDOR® • RELIANCE

Product Information Packet

EM7018T-I

1.5//1HP,3500//2900RPM,3PH,60//50HZ,143T

Part Detail							
Revision:	S	Status:	PRD/A	Change #:		Proprietary:	No
Type:	AC	Prod. Type:	3520M	Elec. Spec:	35WGM760	CD Diagram:	CD0005
Enclosure:	XPFC	Mfg Plant:		Mech. Spec:	35X081	Layout:	35LYX081
Frame:	143T	Mounting:	F1	Poles:	02	Created Date:	06-11-2010
Base:	RG	Rotation:	R	Insulation:	F	Eff. Date:	11-11-2016
Leads:	9#18					Replaced By:	
Literature:		Elec. Diagram:					

Nameplate NP0977XPSLEV			
NO.		CC	010A
SER.		TEMP CODE	T3C
SPEC.	35X081M760G1		
CAT.NO.	EM7018T-I		
HP	1.5//1		
VOLTS	230/460//190/380		
AMPS	3.8/1.9//3.4/1.7		
RPM	3500//2900	MOTOR WEIGHT	54
HERTZ	60//50	PH	3
SER.F.	1.15	CL	F
FRAME	143T	DE BRG	6205
RATING	40C AMB-CONT 55C AMB@1.0SF	ODE BRG	6203
USABLE AT 208V		GREASE	POLYREX EM
		NEMA-NOM-EFF	84
	NEMA MG-1 PT 5,IP55	PF	85

Parts List		
Part Number	Description	Quantity
SA198277	SA 35X081M760G1	1.000 EA
RA185641	RA 35X081M760G1	1.000 EA
34FN3002B01	EXTERNAL FAN, PLASTIC, .637/.639 HUB W/	1.000 EA
MJ5000A09	EFI KIT #1578 (400 ML CARTRIDGE OF EFI	0.050 EA
35CB1005A01	CONDUIT BOX,MACH - GROUP "C" MTRS	1.000 EA
11XW1032G06	10-32 X .38, TAPTITE II, HEX WSHR SLTD U	1.000 EA
HW3001B01	BRASS CUP WASHER, FOR #8 SCREW	1.000 EA
35EP1715A08	FREP XPFC 203 BRG GROUP "C" W/DRAIN	1.000 EA
HW4506A02	BREATHER/DRAIN-EXP PROOF-.125-27 NPTF AI	1.000 EA
HW3022E05	.125 DIA X .500 ROLLED SPRING PIN	1.000 EA
HW5100A03SP	WAVY WASHER (W1543-017)	1.000 EA
35EP3701B05	PUEP X-PROOF - 205 BRG GROUP C&E	1.000 EA
HA2009A86	SLINGER FOR GROUP E MTRS - 205 BRG.	1.000 EA
80XN0632J06	SET SCREW, 6-32 X 3/8", HEX SOCKET, AS	1.000 EA
HW4506A02	BREATHER/DRAIN-EXP PROOF-.125-27 NPTF AI	1.000 EA
HW3022E05	.125 DIA X .500 ROLLED SPRING PIN	1.000 EA
35FH4005A01SP	IEC FH NO GREASER W/PRIMED	1.000 EA
XY3118A12	5/16-18 HEX NUT DIRECTIONAL SERRATION	4.000 EA
51XW1032A06	10-32 X .38, TAPTITE II, HEX WSHR SLTD S	3.000 EA
35CB1501A01	CONDUIT BOX LID, MACH. - GROUP "C" MTRS	1.000 EA
RM1020A41	O-RING, -150 BUNA-N, .103 CS X 2.862 ID	1.000 EA
LB1359	ALUM XP CAUTION LABEL	1.000 EA
HW2501D13	KEY, 3/16 SQ X 1.375	1.000 EA
HA7000A01	KEY RETAINER 7/8" DIA SHAFT	1.000 EA

Parts List (continued)		
Part Number	Description	Quantity
85XU0407S04	4X1/4 U DRIVE PIN STAINLESS	6.000 EA
MJ1000A02	GREASE, POLYREX EM EXXON (USe 4824-15A)	0.050 LB
MG1025G29	WILKOFASST, 789.229, DARK CHARCOAL GRAY	0.014 GA
HA3104A06	THRUBOLT 5/16-18 X 8.50 OHIO ROD	4.000 EA
LB1119N	WARNING LABEL	1.000 EA
LC0145B01	CONNECTION LABEL	1.000 EA
NP0977XPSLEV	SS XP UL CSA-EEV CC CL-I GP-C&D	1.000 EA
36PA1000	PKG GRP, PRINT PK1016A06	1.000 EA

AC Induction Motor Performance Data

Record # 35369 - Typical performance - not guaranteed values

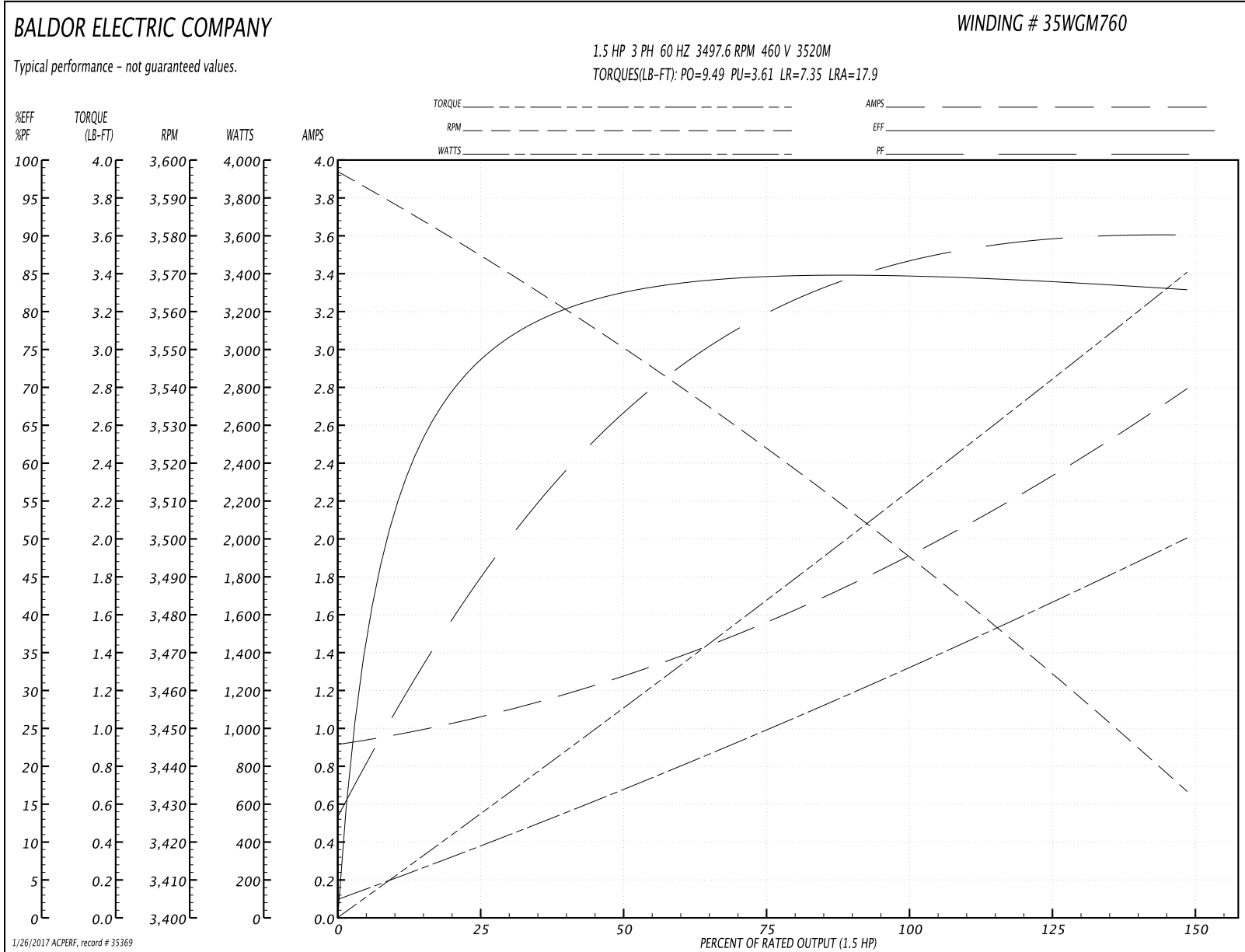
Winding: 35WGM760-R003	Type: 3520M	Enclosure: XPFC
-------------------------------	--------------------	------------------------

Nameplate Data				460 V, 60 Hz: High Voltage Connection	
Rated Output (HP)	1.5//1			Full Load Torque	2.22 LB-FT
Volts	230/460//190/380			Start Configuration	direct on line
Full Load Amps	3.8/1.9//3.4/1.7			Breakdown Torque	9.49 LB-FT
R.P.M.	3500//2900			Pull-up Torque	3.61 LB-FT
Hz	60//50	Phase	3	Locked-rotor Torque	7.35 LB-FT
NEMA Design Code	B	KVA Code	L	Starting Current	17.9 A
Service Factor (S.F.)	1.15			No-load Current	0.932 A
NEMA Nom. Eff.	84	Power Factor	85	Line-line Res. @ 25°C	12.315 Ω
Rating - Duty	40C AMB-CONT			Temp. Rise @ Rated Load	43°C
S.F. Amps				Temp. Rise @ S.F. Load	51°C
				Locked-rotor Power Factor	60
				Rotor inertia	0.0553 LB-FT ²

Load Characteristics 460 V, 60 Hz, 1.5 HP

% of Rated Load	25	50	75	100	125	150	S.F.
Power Factor	45	67	79	85	90	91	88
Efficiency	72.4	82	84.6	85	84.4	82.9	84.6
Speed	3574.8	3551.3	3525.8	3497.6	3466.3	3432.6	3479
Line amperes	1.03	1.25	1.55	1.91	2.31	2.79	2.15

Performance Graph at 460V, 60Hz, 1.5HP Typical performance - Not guaranteed values



AC Induction Motor Performance Data

Record # 35370 - Typical performance - not guaranteed values

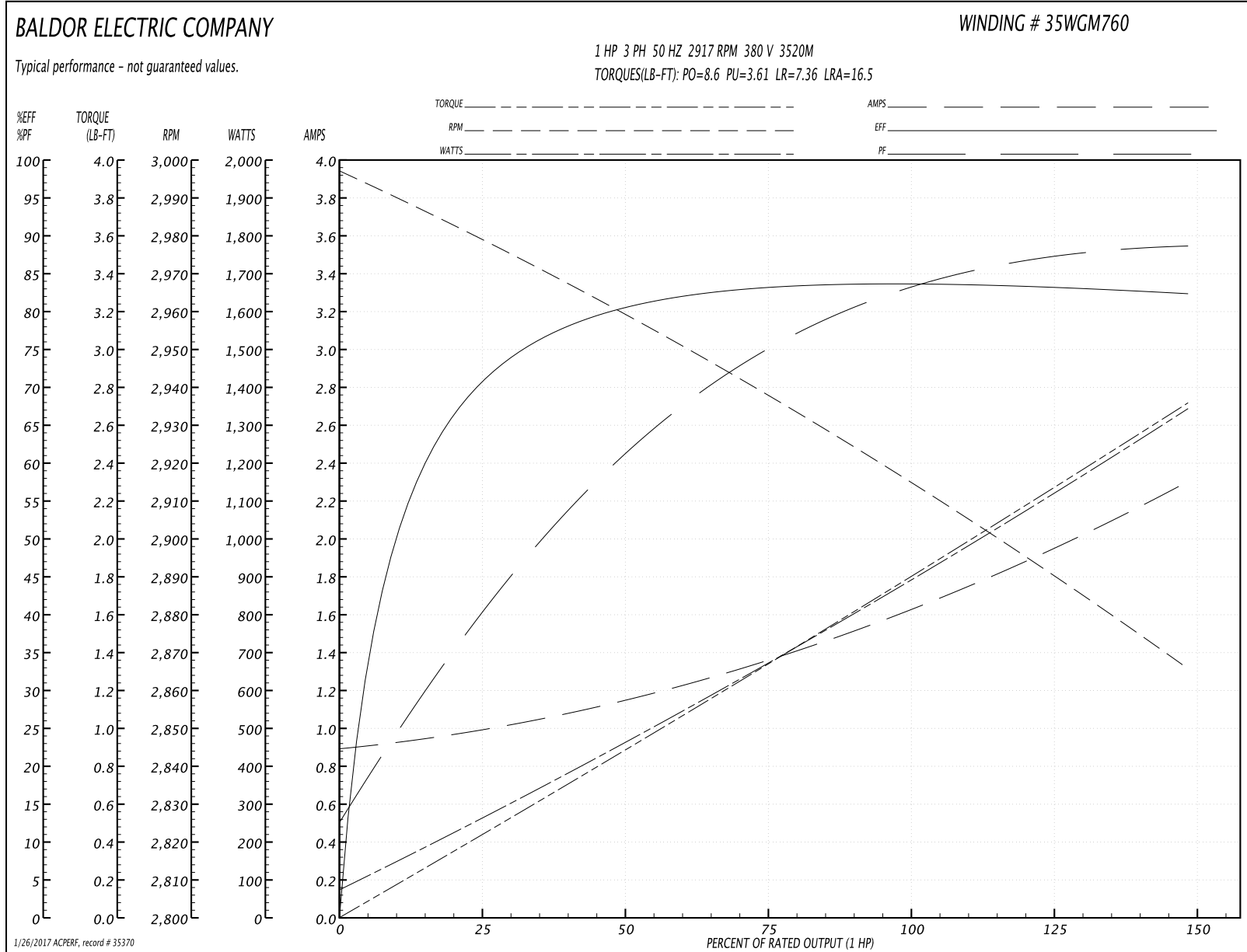
Winding: 35WGM760-R003	Type: 3520M	Enclosure: XPFC
-------------------------------	--------------------	------------------------

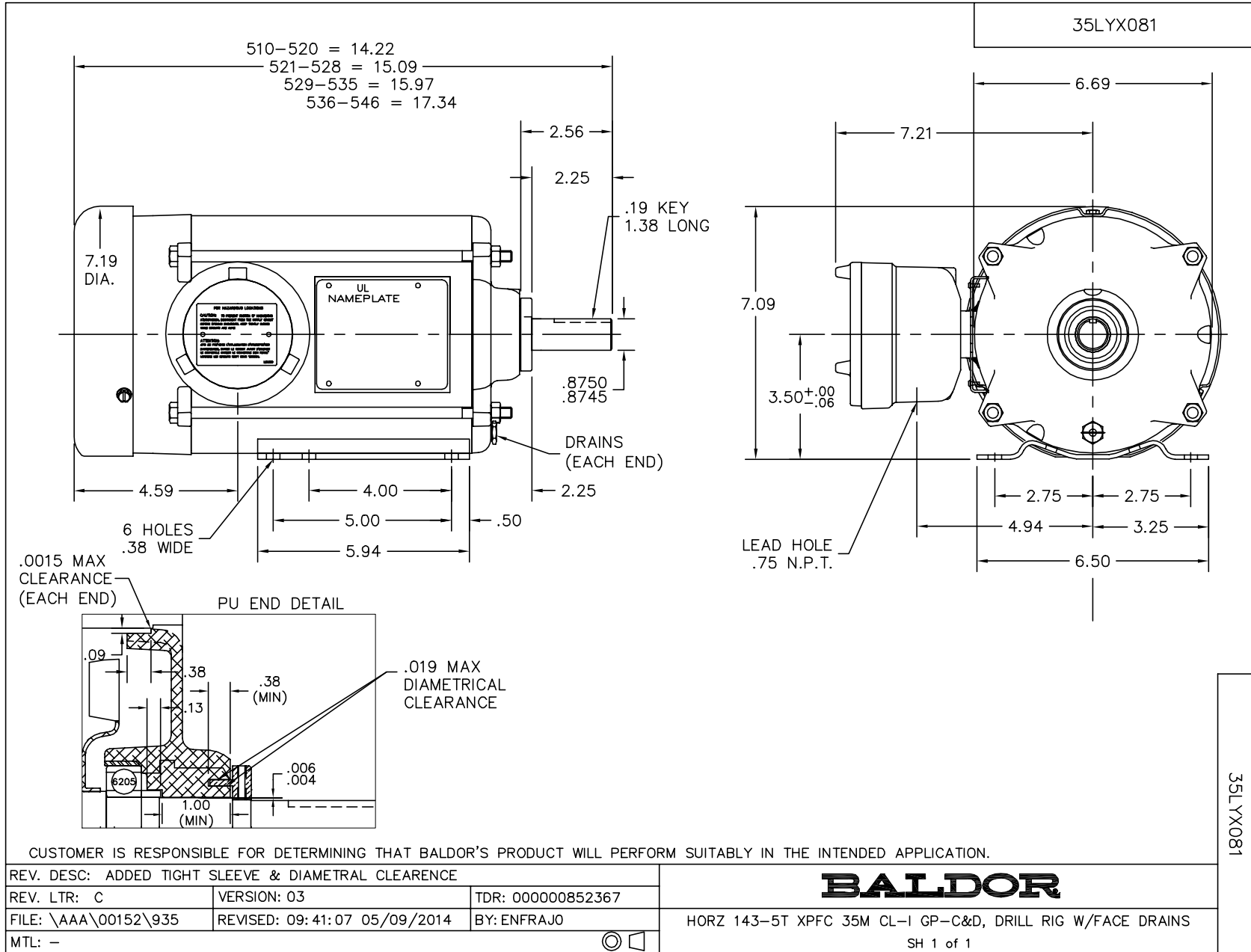
Nameplate Data				380 V, 50 Hz: High Voltage Connection	
Rated Output (HP)	1.5//1			Full Load Torque	1.78 LB-FT
Volts	230/460//190/380			Start Configuration	direct on line
Full Load Amps	3.8/1.9//3.4/1.7			Breakdown Torque	8.6 LB-FT
R.P.M.	3500//2900			Pull-up Torque	3.61 LB-FT
Hz	60//50	Phase	3	Locked-rotor Torque	7.36 LB-FT
NEMA Design Code	B	KVA Code	L	Starting Current	16.5 A
Service Factor (S.F.)	1.15			No-load Current	0.905 A
NEMA Nom. Eff.	84	Power Factor	85	Line-line Res. @ 25°C	12.2 Ω
Rating - Duty	40C AMB-CONT			Temp. Rise @ Rated Load	34°C
S.F. Amps				Temp. Rise @ S.F. Load	39°C
				Locked-rotor Power Factor	67
				Rotor inertia	0.0553 LB-FT ²

Load Characteristics 380 V, 50 Hz, 1 HP

% of Rated Load	25	50	75	100	125	150	S.F.
Power Factor	40	61	74	82	87	89	85
Efficiency	69.2	80	82.9	83.9	83.5	82.2	83.7
Speed	2979	2960	2939	2917	2892	2865	2902
Line amperes	0.969	1.13	1.35	1.63	1.93	2.3	1.81

Performance Graph at 380V, 50Hz, 1.0HP Typical performance - Not guaranteed values





CD0005

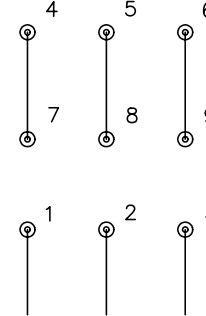


LOW VOLTAGE
(2Y)



LINE

HIGH VOLTAGE
(1Y)



LINE

NOTES:

1. INTERCHANGE ANY TWO LINE LEADS TO REVERSE ROTATION.
2. OPTIONAL THERMOSTATS ARE PROVIDED WHEN SPECIFIED.
3. ACTUAL NUMBER OF INTERNAL PARALLEL CIRCUITS MAY BE A MULTIPLE OF THOSE SHOWN ABOVE.
4. LEAD COLORS ARE OPTIONAL. LEADS MUST ALWAYS BE NUMBERED AS SHOWN.

REV. DESC: REVISE TO SHOW OPTIONAL COLORS			
REV. LTR: E	BY: JLP	REVISED: 01/19/99 10:15	TDR: 0171435
9000D		FILE: AAA00005140	MDL: -
		MTL: -	

BALDOR ELECTRIC Co.

3PH, DV, 9 LEADS

CD0005