

# **BALDOR**® • **RELIANCE**

## **Product Information Packet**

# **EM7134T**

**1.5HP, 1765RPM, 3PH, 60HZ, 145T, 0526M, XPFC, F**

Part Detail							
Revision:	K	Status:	PRD/A	Change #:		Proprietary:	No
Type:	AC	Prod. Type:	0526M	Elec. Spec:	05WGX163	CD Diagram:	CD0005
Enclosure:	XPFC	Mfg Plant:		Mech. Spec:	05E346	Layout:	05LYE346
Frame:	145T	Mounting:	F1	Poles:	04	Created Date:	06-01-2011
Base:	RG	Rotation:	R	Insulation:	B	Eff. Date:	09-09-2015
Leads:	9#18					Replaced By:	
Literature:		Elec. Diagram:					

## Nameplate NP1426XPSLEV

NO.		CC	010A		
SER.					
SPEC.	05E346X163G1				
CAT.NO.	EM7134T				
HP	1.5	T. CODE	T3C		
VOLTS	208-230/460				
AMPS	4.6/2.3				
RPM	1765				
HZ	60	PH	3	CL	B
SER.F.	1.00	DES	B	CODE	M
RATING	40C AMB-CONT				
FRAME	145T	NEMA-NOM-EFF		86.5	
USABLE AT 208V		PF	71		
BLANK					

Parts List		
Part Number	Description	Quantity
SA224428	SA 05E346X163G1	1.000 EA
RA211539	RA 05E346X163G1	1.000 EA
34FN3002B01	EXTERNAL FAN, PLASTIC, .637/.639 HUB W/	1.000 EA
HW4002A18	1"HEX STEEL PIPE NIPPLE FOR 305XP MTRS	1.000 EA
HW3021F12	SPRING PIN, .156 X 1.25	1.000 EA
35CB1000A01	CONDUIT BOX NEMA 182-215T - 36X & 37X	1.000 EA
11XW1032G06	10-32 X .38, TAPTITE II, HEX WSHR SLTD U	1.000 EA
HW3001B01	BRASS CUP WASHER, FOR #8 SCREW	1.000 EA
35EP1715A01	FR ENDPLATE, TEFC, 35M, X-PROOF MTR	1.000 EA
84XN3118J20	5/16-18 X 1 1/4" SOC HD CAP SCREW	4.000 EA
HW5100A03SP	WAVY WASHER (W1543-017)	1.000 EA
05EP1700A02	EP PU EXPL PROOF 205 BRG	1.000 EA
84XN3118J20	5/16-18 X 1 1/4" SOC HD CAP SCREW	4.000 EA
51XB1214A16	12-14X1.00 HXWSSLD SERTYB	1.000 EA
35FH1000A02	35FH1000A02	1.000 EA
10XN2520A18	1/4-20 X 1-1/8 HEX CAP SCREW.	3.000 EA
35CB1500A02	BOX LID FOR 35CB1000, X-PROOF CONDUIT BO	1.000 EA
51XN2520A16	SCREW, HEX WS SLT, ZN, 1/4-20 X 1.00	4.000 EA
HW2501D13	KEY, 3/16 SQ X 1.375	1.000 EA
HA7000A01	KEY RETAINER 7/8" DIA SHAFT	1.000 EA
85XU0407S04	4X1/4 U DRIVE PIN STAINLESS	6.000 EA
LB1115N	LABEL,LIFTING DEVICE (ON ROLLS)	1.000 EA
NP0018F	ALUM UL XP CONDUIT BOX NAMEPLATE	1.000 EA
MJ1000A02	GREASE, POLYREX EM EXXON (USe 4824-15A)	0.050 LB

<b>Parts List (continued)</b>		
<b>Part Number</b>	<b>Description</b>	<b>Quantity</b>
MG1025G29	WILKOFAST, 789.229, DARK CHARCOAL GRAY	0.017 GA
LB1119N	WARNING LABEL	1.000 EA
LC0145B01	CONNECTION LABEL	1.000 EA
NP1426XPSLEV	SS XP UL CSA-EEV CC CL-I GP-D	1.000 EA
36PA1001	PKG GRP, PRINT PK1017A06	1.000 EA
MN416A01	TAG-INSTAL-MAINT no wire (1000/bx) 11/14	1.000 EA

**AC Induction Motor Performance Data**

Record # 35532 - Typical performance - not guaranteed values

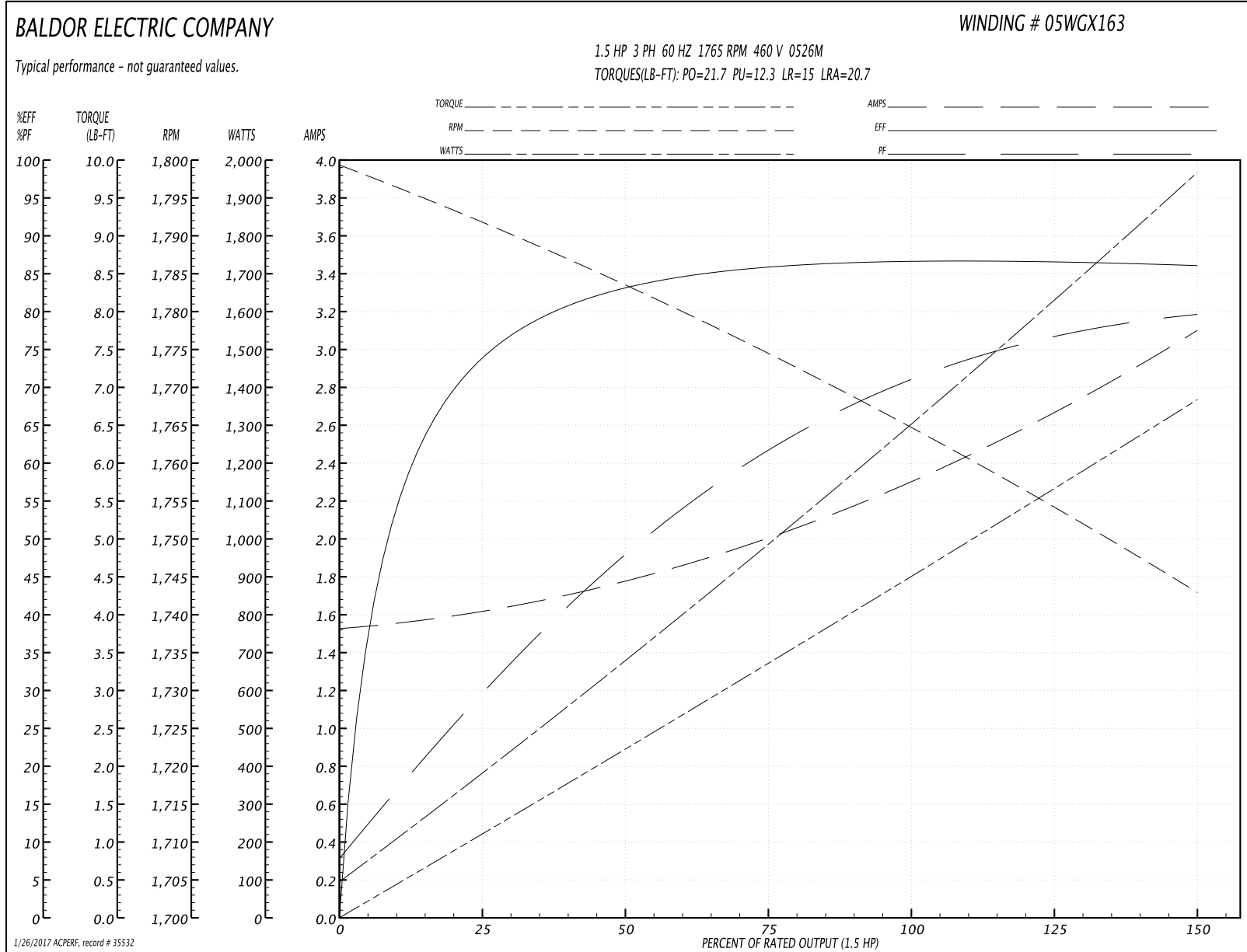
<b>Winding:</b> 05WGX163-R002	<b>Type:</b> 0526M	<b>Enclosure:</b> XPFC
-------------------------------	--------------------	------------------------

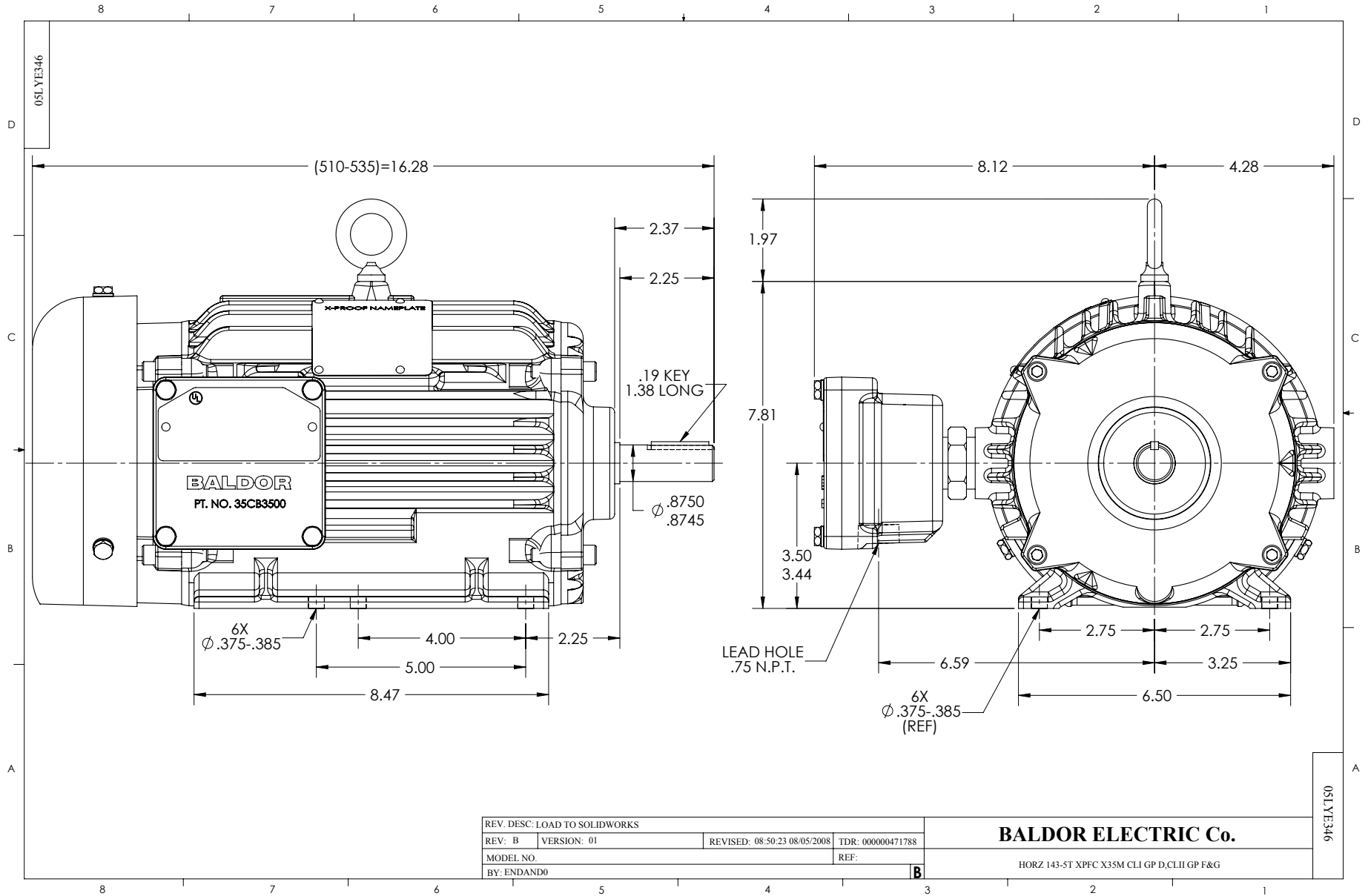
Nameplate Data				460 V, 60 Hz: High Voltage Connection	
Rated Output (HP)	1.5			Full Load Torque	4.54 LB-FT
Volts	208-230/460			Start Configuration	direct on line
Full Load Amps	4.6/2.3			Breakdown Torque	21.7 LB-FT
R.P.M.	1765			Pull-up Torque	12.3 LB-FT
Hz	60	Phase	3	Locked-rotor Torque	15 LB-FT
NEMA Design Code	B	KVA Code	M	Starting Current	20.7 A
Service Factor (S.F.)	1			No-load Current	1.54 A
NEMA Nom. Eff.	86.5	Power Factor	71	Line-line Res. @ 25°C	9.15 Ω
Rating - Duty	40C AMB-CONT			Temp. Rise @ Rated Load	34°C
S.F. Amps				Temp. Rise @ S.F. Load	40°C

## Load Characteristics 460 V, 60 Hz, 1.5 HP

% of Rated Load	25	50	75	100	125	150
Power Factor	31	49	62	71	77	80
Efficiency	74.5	83.1	85.9	87	86.6	86
Speed	1792	1783	1774	1764	1754	1743
Line amperes	1.61	1.77	2.03	2.32	2.69	3.09

Performance Graph at 460V, 60Hz, 1.5HP Typical performance - Not guaranteed values





CD0005



LOW VOLTAGE  
(2Y)



LINE

HIGH VOLTAGE  
(1Y)



LINE

NOTES:

1. INTERCHANGE ANY TWO LINE LEADS TO REVERSE ROTATION.
2. OPTIONAL THERMOSTATS ARE PROVIDED WHEN SPECIFIED.
3. ACTUAL NUMBER OF INTERNAL PARALLEL CIRCUITS MAY BE A MULTIPLE OF THOSE SHOWN ABOVE.
4. LEAD COLORS ARE OPTIONAL. LEADS MUST ALWAYS BE NUMBERED AS SHOWN.

REV. DESC: REVISE TO SHOW OPTIONAL COLORS			
REV. LTR: E	BY: JLP	REVISED: 01/19/99 10:15	TDR: 0171435
9000D		FILE: AAA00005140	MDL: -
		MTL: -	

**BALDOR ELECTRIC Co.**

3PH, DV, 9 LEADS

CD0005