

BALDOR® • ***RELIANCE***

Product Information Packet

GC24313

G.M. T18BA 115V AC 50//60HZ 60:1

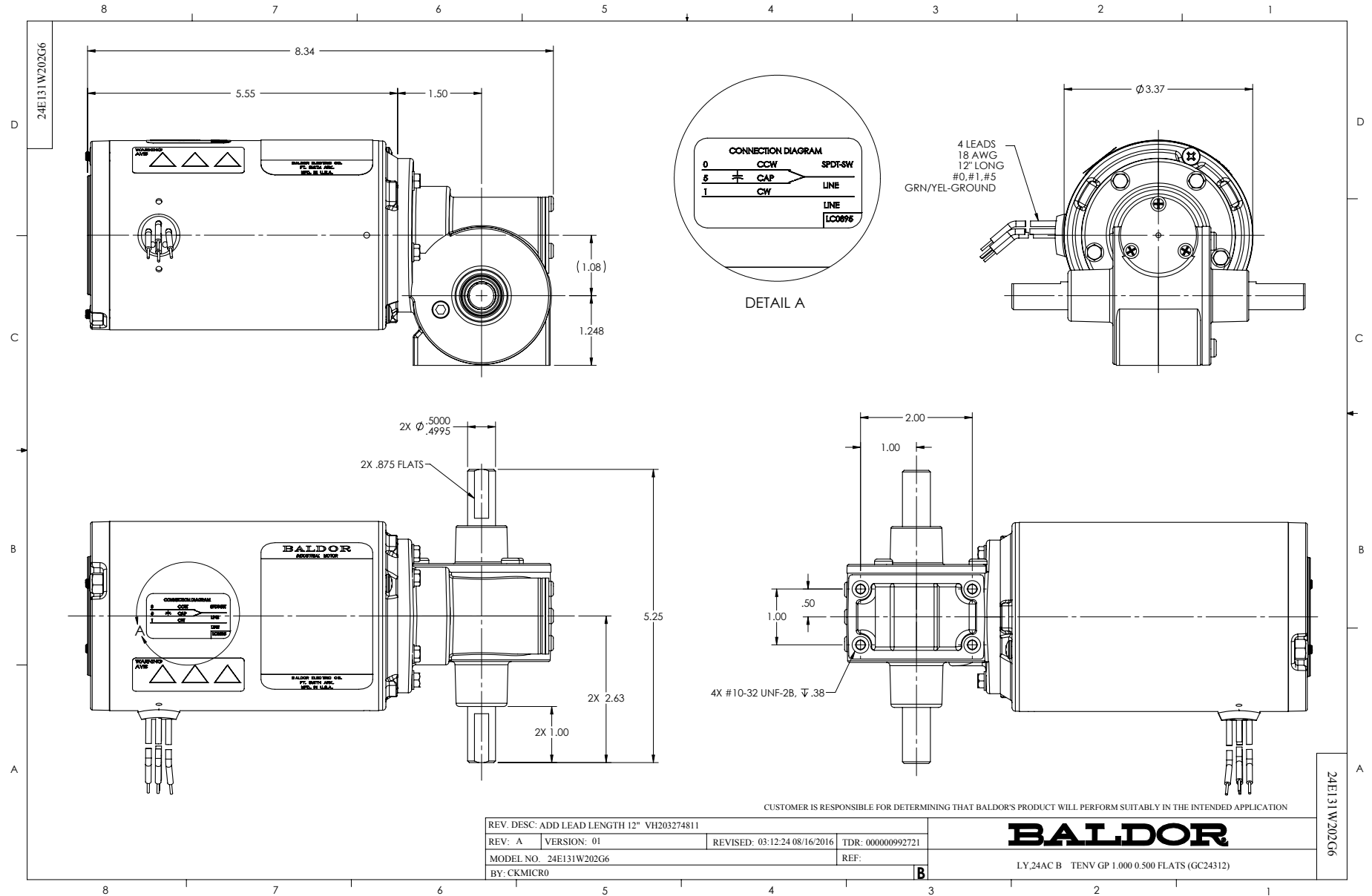
Part Detail							
Revision:	C	Status:	PRD/A	Change #:		Proprietary:	No
Type:	AC	Prod. Type:	2418C	Elec. Spec:	24WGW202	CD Diagram:	CD1018
Enclosure:	TENV	Mfg Plant:		Mech. Spec:		Layout:	24E131W202G6
Frame:	BB	Mounting:		Poles:	04	Created Date:	06-04-2014
Base:		Rotation:	R	Insulation:	F	Eff. Date:	04-18-2016
Leads:	3#18					Replaced By:	
Literature:		Elec. Diagram:					

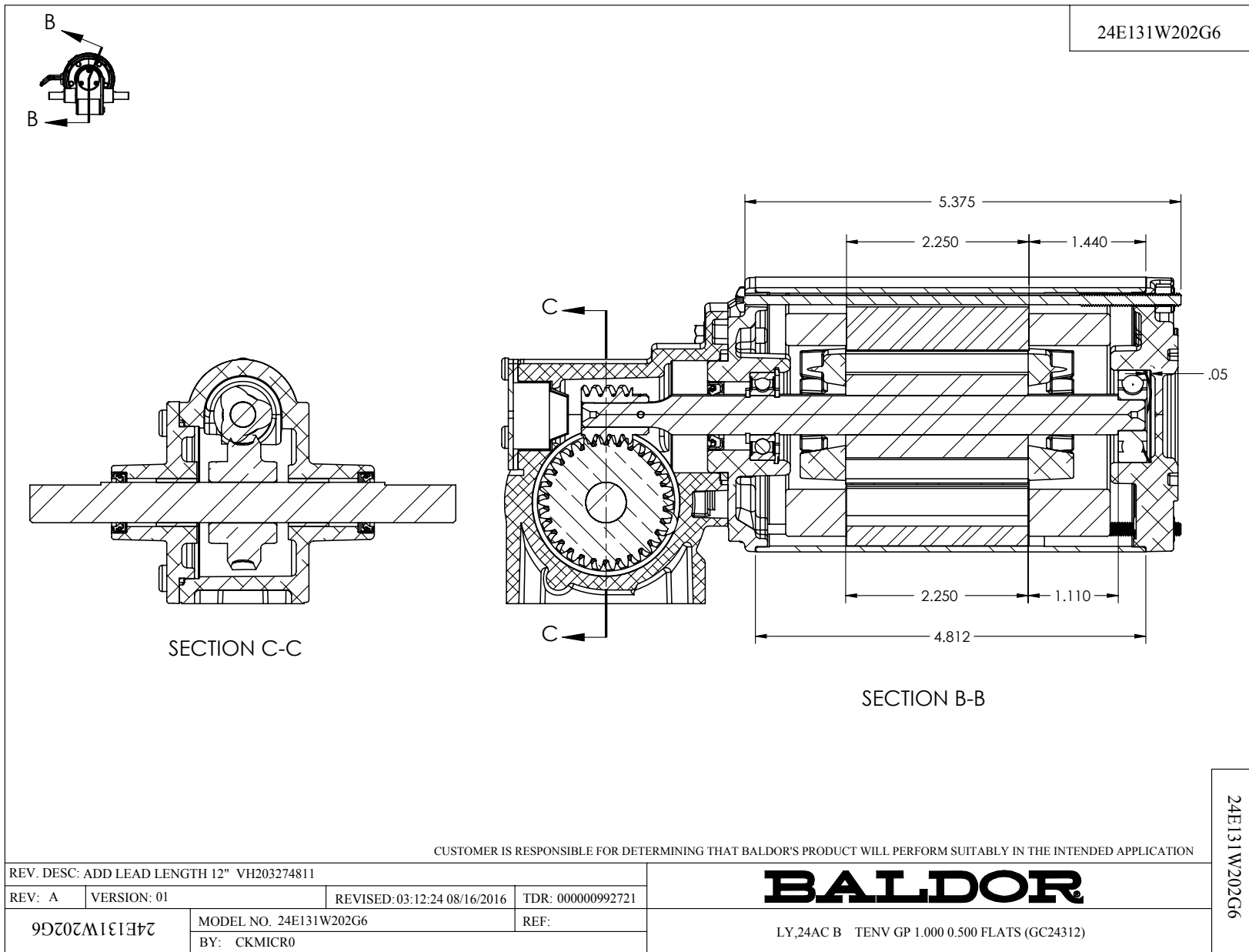
Nameplate NP1220A05			
CAT.NO.	GC24313		
SER.NO.			
SPEC.	24E131W202G6		
HP	.056//.067	TE	
VOLTS	115		
AMP	.93//.85		
HZ	50//60	PH	1
AMB.	40	DUTY	CONT
CAP	10	CODE	-
SER.F.	1.00	CLASS	F
SF AMP			
R.P.M.	21.6//26.2		
TORQ/IN LB	40		
RATIO	60:1		
APRV-CE		APRV-CSA	
			APRV-UL

Parts List		
Part Number	Description	Quantity
SA282789	SA 24E131W202G6	1.000 EA
RA269085	RA 24E131W202G6	1.000 EA
SR002312	SR 24E131W202G6	1.000 EA
OC4010A02	DRY FILM METALLIZED CAP,10MFD 370V	1.000 EA
LC0895A07	CONN.DIAGRAM 1PH,SINGLE VOLT,TYPE PSC	1.000 EA
24EP3108A01G	EP,24AC DE CL R8 RA	1.000 EA
HW5002A44	N5002-112 RET RING INTERNBEVELED F/6001	1.000 EA
HW4600G70	SEAL .500" X .875" X .200 SGL LIP FT802	1.000 EA
HW5060A27	RET RING, 1/2" HEAVY DUTY	2.000 EA
BMH1746	WASHER,PREC .439"X.192" X.020"SPRING STE	3.000 EA
WM0038A10	WORM,BE 60.0 INP 1.083 C.D.	1.000 EA
HW3082B05	5/64 X 1/2 GROOVE PIN TYPE A,THRU HARDEN	1.000 EA
MJ5019A01	ADHESIVE LOCTITE #680 WAS BAD4525	0.010 EA
RM1037	GROMMET NEOPRENE - (65-75 DUROMETER)	1.000 EA
24EP3100A05G	EP,24AC ODE CL NONE	1.000 EA
HW5109A08	WASHER, WAVE SPRING FOR 30MM BORE SMALLE	1.000 EA
55XT0632G03	6-32 X 0.187 RD HD PHILLIPS, SERRATED	1.000 EA
HA3199A86	THRU-BOLT PAN HEAD 8-32 X 5.375	2.000 EA
HW3030A85	#8-32 UNC-3B ELASTIC STOPNUT TDR#21624	2.000 EA
BHG5353-002G	HOUSING, B BOX GEAR HEAD	1.000 EA
RM1057	RUBBER SQUARE RING 1.424 I.D.	1.000 EA
19XN1032A12	SCREW, HEX WASHER HEAD, #10-32 X .750	4.000 EA
HA4021A05	1/16 NPSF-HX SOC PIPE PLUG TAPER DRY SEA	1.000 EA
BH1104	PAPZ0808-P14 SLEEVE BRG	1.000 EA

Parts List (continued)		
Part Number	Description	Quantity
HW4600C29	SEAL, TCM #0507416 SCW .50X.75X.165 RB	1.000 EA
HA1194B02	BLADDER,BDE EXPANSION	1.000 EA
15XM0632A06	SCREW, 6-32X .375, THREAD FORMING	3.000 EA
BCG5490-001G	CAP, "B" BOX GEARHOUSING, MACH'D	1.000 EA
BH1104	PAPZ0808-P14 SLEEVE BRG	1.000 EA
HW4600C29	SEAL, TCM #0507416 SCW .50X.75X.165 RB	1.000 EA
RM1078	RUBBER SQUARE RING 1.864 I.D.	1.000 EA
60XM0832A08	SCREW, PAN TORX 8-32X.500 THREAD FORMING	3.000 EA
MJ1000B02	KLUB. GH6-460 GEAR OIL 1 GALLON	0.008 GA
NP1220A05	NP,AC STD AD NONE V CE CSA UL GEAR MOTOR	1.000 EA
MN416A01	TAG-INSTAL-MAINT no wire (1000/bx) 11/14	1.000 EA
LB1451	WARNING LABEL, CE WARNING SYMBOLS ONLY	1.000 EA
CPA1000	PACKING GROUP STD. SINGLE	1.000 EA

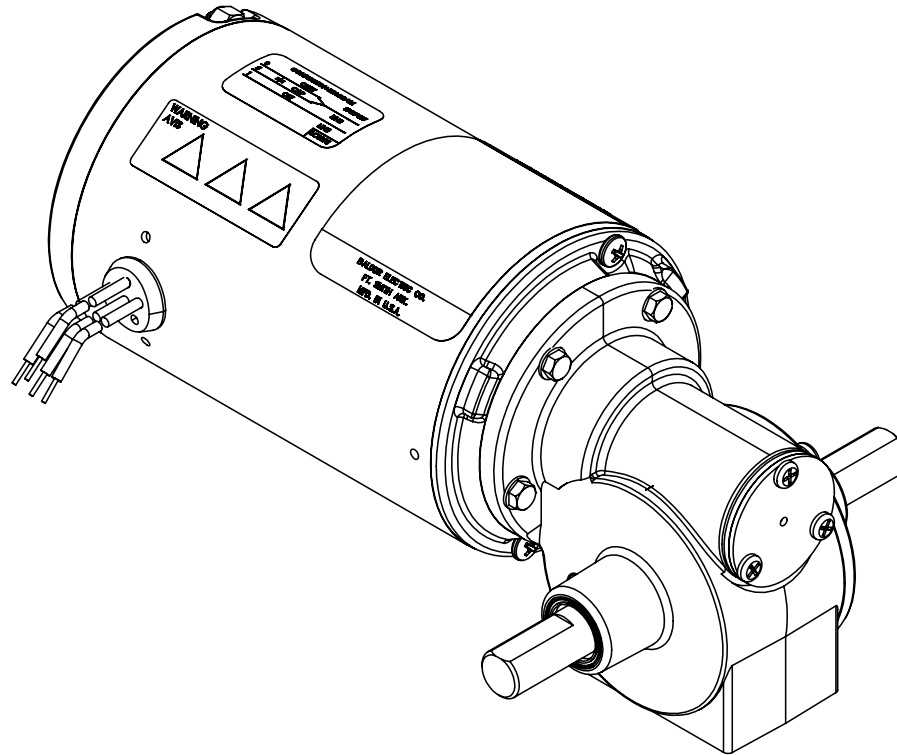
No performance data has been
assigned to this product.





ITEM NO.	PART NUMBER	QTY.
1	24EP3108A01	1
2	BG60R8C03	1
3	HW5002A44	1
4	HW4600D35	1
5	24SH2535A01	1
6	HW5060A27	2
7	24RC4018A00	1
8	BG6200C03	1
9	WM0038A10	1
10	HW3082B05	1
11	24SB0036A01	1
12	RM1037	1
13	LEAD-1	4
14	24EP3100A05	1
15	HW5109A08	1
16	55XT0632G03	1
17	HA3199A86	2
18	HW3030A85	2
19	RM1057	1
20	BHG5353-002	1
21	BH1104	2
22	HA4021A05	1
23	HW4600C29	2
24	19XN1032A12	4
25	HA1194B02	1
26	15XM0632S06	3
27	SH0100A57	1
28	GE0054A08	1
29	BCG5490-001	1
30	RM1078	1
31	15XM0832A08	3
32	NP1220A05	1
33	LB1451	1
34	LC0895A07	1

CUSTOMER IS RESPONSIBLE FOR DETERMINING THAT BALDOR'S PRODUCT WILL PERFORM SUITABLY IN THE INTENDED APPLICATION



24E131W202G6

24E131W202G6

REV. DESC: ADD LEAD LENGTH 12" VH203274811			
REV: A	VERSION: 01	REVISED: 03:12:24 08/16/2016	TDR: 000000992721
24E131W202G6		MODEL NO. 24E131W202G6	REF:
		BY: CKMICRO	

BALDOR

LY,24AC B TENV GP 1.000 0.500 FLATS (GC24312)

