

BALDOR® • **RELIANCE**

Product Information Packet

IDDRPM25506

50HP, 1140RPM, 3PH, N/AHZ, 2570, DPG-FV,

Part Detail							
Revision:	-	Status:	PRD/A	Change #:		Proprietary:	No
Type:	AC	Prod. Type:		Elec. Spec:	L0191A	CD Diagram:	422927-001
Enclosure:	DPFV	Mfg Plant:		Mech. Spec:		Layout:	617214-001
Frame:	RL2570	Mounting:	F1	Poles:	04	Created Date:	04-10-2015
Base:		Rotation:	R	Insulation:	H	Eff. Date:	04-13-2015
Leads:						Replaced By:	
Literature:		Elec. Diagram:					

Parts List		
Part Number	Description	Quantity
WS286726	WS P25R0217	1.000 EA
RA282934	RA P25R0217	1.000 EA
000613006NN	RPM AC WITH CERTIFIED LOGOS	1.000 EA
000692000FP	NP, WARNING LIFT INSTRUCTIONS	1.000 EA
000692000VD	LABEL WARNING	1.000 EA
036170004EA	ROUND HEAD DRIVE SCREW	4.000 EA
422927001	C/D LABEL	1.000 EA
036100080KA	M10-1.50X 80MM HXSOCHDCS	3.000 EA
036140001C	EYEBOLT - 400	2.000 EA
036500010AB	METRIC NUT M10-1.5PLTD400	4.000 EA
036500010AB	METRIC NUT M10-1.5PLTD400	4.000 EA
400638001H	SPRING WASHER	1.000 EA
602018077A	DRAIN	1.000 EA
602018077A	DRAIN	1.000 EA
609830005ACH	STUD FRAME .375X13 LG	4.000 EA
807528202EAE	BRKT,DE,RL250,DPFV	1.000 EA
807528203CCB	BRKT,ODE,RL250,DPFV	1.000 EA
000613006NT	NAME PLATE IEC	1.000 EA
032018004AK	HHCS 1/4-20X1/2 PLATED	2.000 EA
032018004DK	HHCS,DRIP COVER	4.000 EA
032018008CK	HHCS 3/8-16X1L PLATED	4.000 EA
034017014AB	LCKW 3/8 STD. PLATED	4.000 EA
036000012JB	M8-1.25 X 12MM HXHDC	3.000 EA
036000012JB	M8-1.25 X 12MM HXHDC	4.000 EA

Parts List (continued)		
Part Number	Description	Quantity
036000020HB	HHCS M6-1.0X20MM PLATED	4.000 EA
036000020HB	HHCS M6-1.0X20MM PLATED	8.000 EA
036321020HB	HEXSOCKET FLAT SCREW M	4.000 EA
036600009AB	METRIC FLWASH M8 PLATED	3.000 EA
036620008AB	M6 METRIC EXT LOCKWASHER	1.000 EA
065591000B	GASK 250-280	1.000 EA
075454001AJ	C/BOX, PAINTED 250-280	1.000 EA
075455000A	CBOXC, PAINTED 250-280	1.000 EA
410978010C	FLANGE, INLET BLOWER HSG.	1.000 EA
410978019A	SCREEN, INLET FLANGE	1.000 EA
415000103A	T/LUG #14AWG-#4AWG W/HOLE FOR .250 BOLT	1.000 EA
417733004T	GASKET CONDUIT BOX	2.000 EA
418018074A	GROUND LABEL G100 METRIC 160 D.C.	1.000 EA
422919352	CVRKT BE RL250	1.000 EA
422919352	CVRKT BE RL250	1.000 EA
609843001AG	GASKET HANDHOLD COVER	1.000 EA
610409128A	ADAPTER, BLOWER	1.000 EA
610490001AH	.75HP,3450//2850RPM,3PH,60//50HZ,56C,351	1.000 EA
611917002A	GASKT	1.000 EA
611965001A	WHEEL, BLOWER	1.000 EA
706305301A	GUARD, SHAFT	1.000 EA
708528004G	HOUSING, BLOWER	1.000 EA
000640000P	TAG WINDING THERMOST	1.000 EA
004824007K	SPECIAL PAINT	0.100 EA

034180024GA	KEY 1/2X1/2X3 L	1.000 EA
418018116	WARNING PLATE	1.000 EA

REL. S. O. -
 FRAME RL2570
 HP 50
 BASE SPEED 1140
 PHASE/HERTZ 3/40

VOLTS 460
 AMPS 63.34
 DUTY CONT 1.0
 S.F. P.F. 1.0
 AMB °C/INSUL 40/H

ENCLOSURE MAX SAFE RPM 5000
 IM (AMPS) 19.4
 P.F. @NL/FL .070/.871
 WK² (LB-FT²) 3.84

DEPV WYE CONN EQ CKT OHMS PER PHASE (AT BASE RATING, 25 °C)
 R1 .172 X1 .628
 R2 .130 X2 .569
 R3 .130 X3 1.4.1


RATED FULL LOAD DATA

	RPM	HP	TORQUE LB-FT	FUND VOLTS	FREQ-HZ	AMPS
BASE SPEED	1147	50.0	229	460	40	63.2
MAX SPEED	1306	50.0	201	460	45.6	62.6
MIN SPEED	0	0	229	33.8	1.78	63.2

LOAD PERFORMANCE AT BASE SPEED

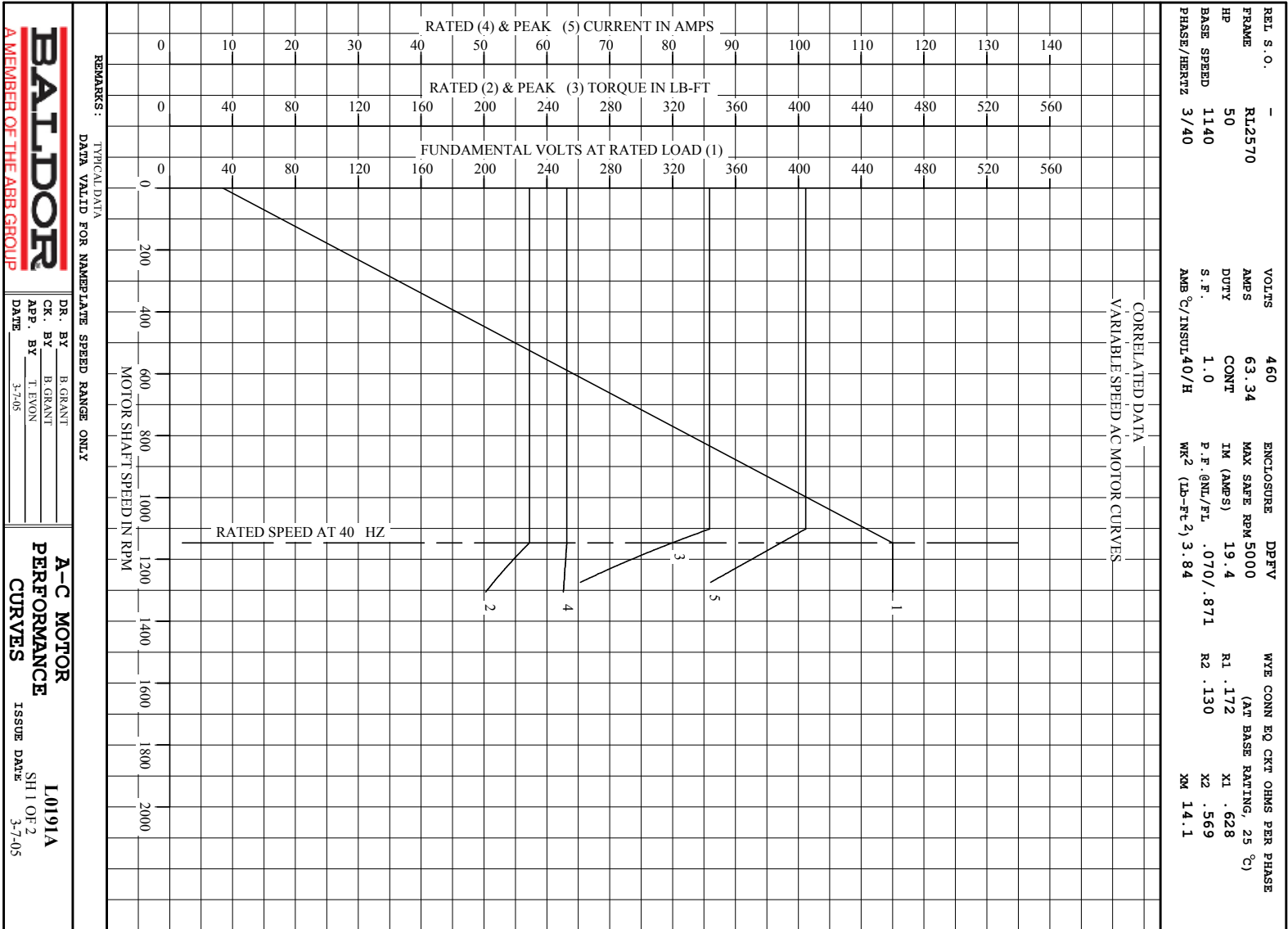
	RPM	HP	TORQUE LB-FT	FUND VOLTS	FREQ-HZ	AMPS
NO LOAD	1200	0	0	460	40	19.2
1/4	1189	12.5	55	460	40	24.1
1/2	1177	25.0	112	460	40	34.3
3/4	1163	37.5	169	460	40	47.5
FULL LOAD	1147	50.0	229	460	40	63.2
O/L	1102	72.1	343	460	40	101

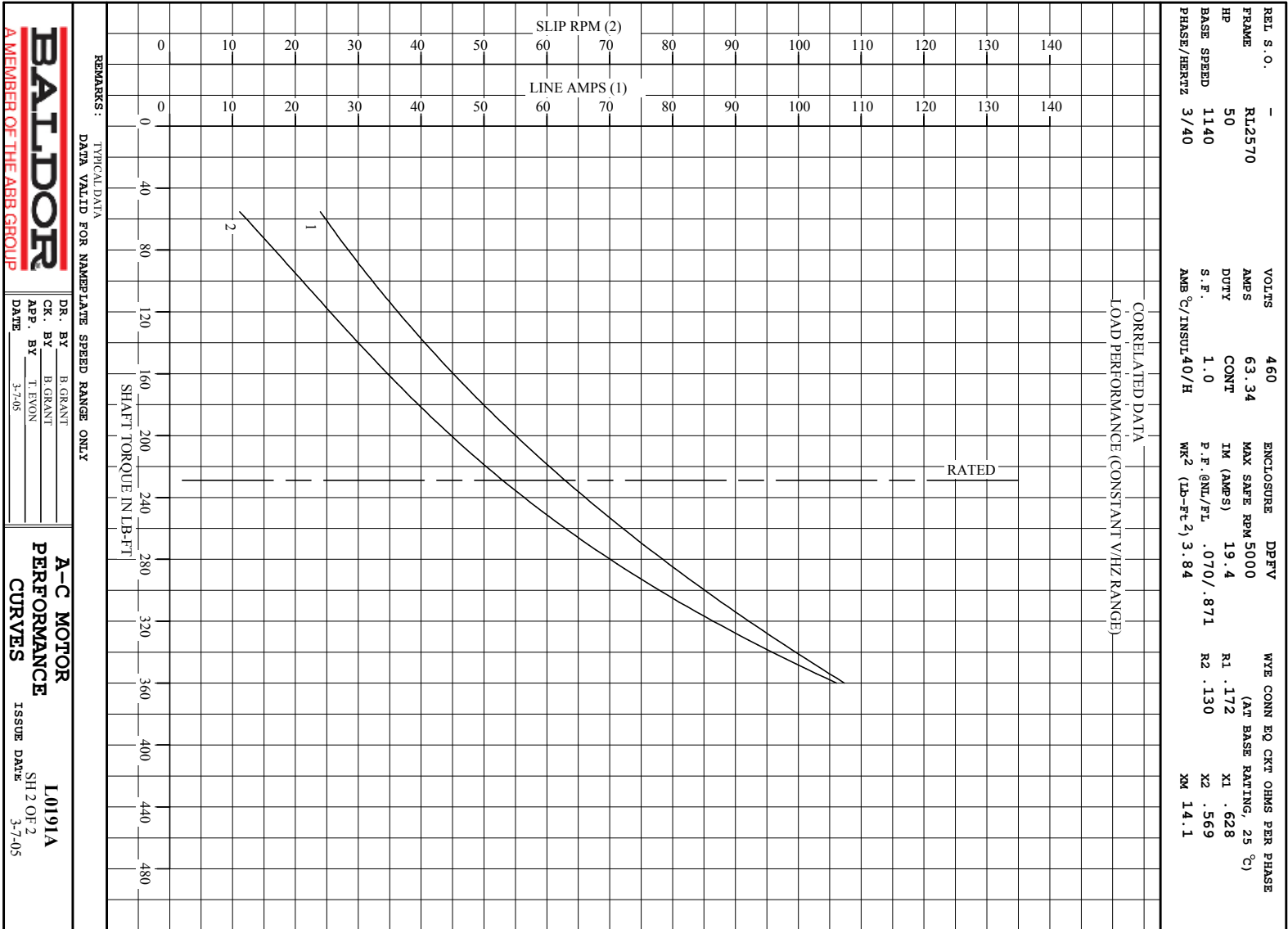
REMARKS: TYPICAL DATA
 CORRELATED DATA

 <p>A MEMBER OF THE ABB GROUP</p>	DR. BY B. GRANT	<p>A-C MOTOR PERFORMANCE DATA</p> <p>ISSUE DATE 3-7-05</p>
	CK. BY B. GRANT APP. BY T. EVON DATE 3-7-05	

C/R 383520

Printed on 3/27/13 13:16 @ r99





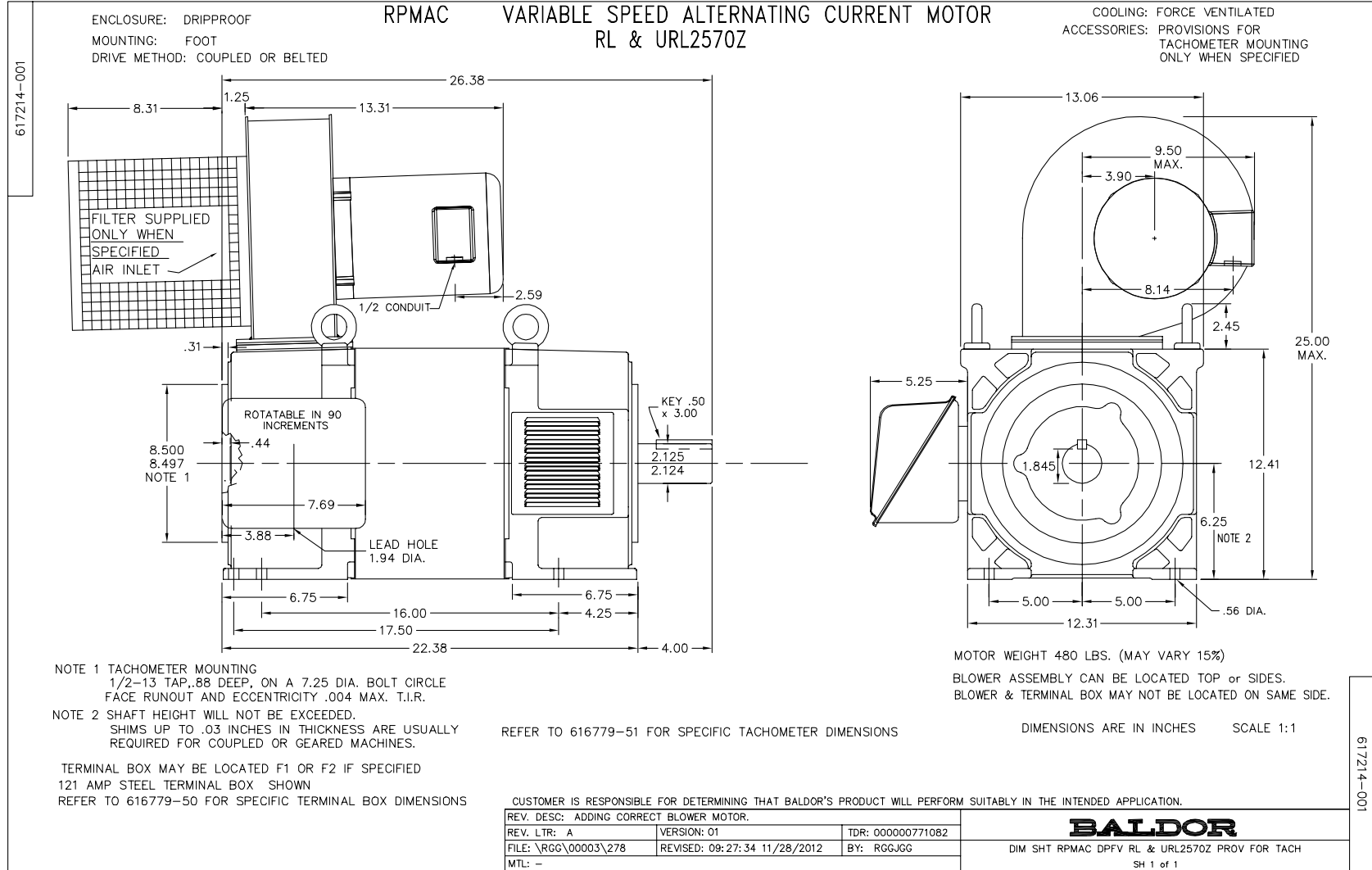
BALDOR
A MEMBER OF THE ABB GROUP

DR. BY B. GRANT
CK. BY B. GRANT
APP. BY T. EVON
DATE 3-7-05

A-C MOTOR
PERFORMANCE
CURVES

L0191A
SH 2 OF 2
ISSUE DATE 3-7-05

C/R 383520



617214-001

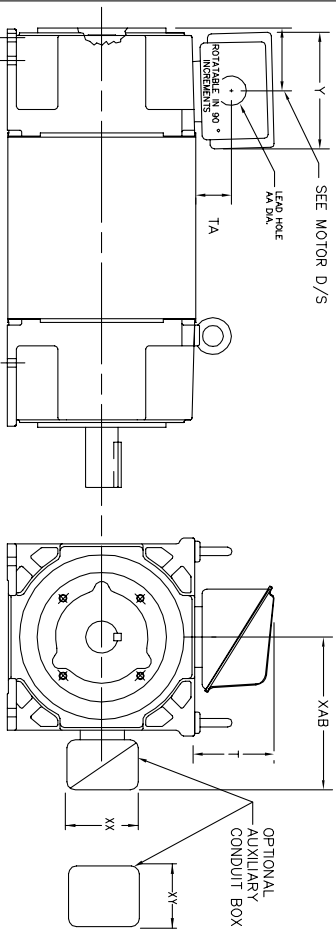
617214-001

616779-050

INDUSTRIAL ALTERNATING CURRENT MOTORS

RPM AC

STEEL, CAST IRON, MILL AND TERMINAL BOARD CONDUIT BOX DIMENSIONS
 NEMA FRAMES RL210 thru RL280 and IEC FRAMES RDL132 thru RDL180
 NEMA FRAMES FL180 thru FL280 and IEC FRAMES FDL112 thru FDL180



TERMINAL BOX	Y	TA	T	AA	MAX AMP5	REMARKS
706310-63B	14.39	7.43	12.15	--	400	TERMINAL STRIP
706310-226R	9.00	3.06	5.40	Pg36 & Pq16	160	TERMINAL STRIP
706310-225R	7.25	2.30	4.40	Pg29 & Pq16	100	TERMINAL STRIP
706310-56B	9.00	3.06	5.40	Pg36 & Pq16	160	TERMINAL STRIP
706310-56A	7.75	2.30	4.40	Pg29 & Pq16	100	TERMINAL STRIP
706320-14D	15.00	7.56	12.81	5	510	CAST IRON
706320-13A	10.50	4.88	9.00	4.0 TAP	210	CAST IRON
706320-12B	9.25	4.81	8.56	3	140	CAST IRON
75460-62B	7.25	2.50	5.25	1.5 TAP	110	CAST IRON
706320-4C	5.75	2.38	4.38	1.0 TAP	60	CAST IRON FL180 ONLY
706310-3E	16.00	4.40	7.81	3	590	MILL
706310-3X	8.00	2.38	5.00	--	160	MILL
702658-1G	14.62	7.56	12.70	5	500	STEEL
706320-16A	9.00	4.12	8.44	4.59	305	STEEL
706320-9A	7.25	3.50	7.06	2.50	160	STEEL
75454-1AJ	7.69	2.38	5.25	1.94	121	STEEL
75452-B	6.34	2.00	4.12	1.75	61	STEEL
75452-G	6.34	2.00	4.12	--	61	SPECIAL
706320-5A	6.12	2.38	4.38	1.75/2.00	75	STEEL FL180 ONLY
706320-3A	5.00	1.62	3.00	1.12	40	STEEL FL180 ONLY
706320-7A	7.62	2.00	7.00	2.5/3.0	208	STEEL FL180 ONLY

FRAME SIZE	XAB	OPTIMAL AUXILIARY CONDUIT BOX DIMENSIONS (MAXIMUM)				PART NUMBER			
		XX	XY	XAB	XY				
FL210/FL132/RL210/RL132	7.38	4.25	4.25	602007-26-A	FL210/FL132/RL210/RL132	10.88	8.00	8.00	706310-3-B
FL220/FL180/RL220/RL180	8.44	4.23	4.23	602007-26-A	FL220/FL180/RL220/RL180	11.88	8.00	8.00	706310-3-B
FL280/FL180/RL280/RL180	9.12	4.23	4.23	602007-26-A	FL280/FL180/RL280/RL180	12.62	8.00	8.00	706310-3-B

- (1) 'AA' CONDUIT
- (2) 'AA' PIPE TAP
- (3) CUSTOMER TO PROVIDE HOLE FOR CONDUIT.
- (4) 'E' ON 'SA' OR 'I' TAP ON '4C'

TERMINAL BOX CAN BE ROTATED FOR LEAD OUTLET AT TOP, SIDES OR BOTTOM.
 TERMINAL BOX LOCATED ON OPPOSITE SIDE WHEN F-2, W-1, W-4, W-5, W-7,
 OR C-1 MOUNTING IS SPECIFIED. BOX LOCATED ON TOP WHEN SPECIFIED.

050-60761919

CUSTOMER IS RESPONSIBLE FOR DETERMINING THAT BALDOR'S PRODUCT WILL PERFORM SUITABLY IN THE INTENDED APPLICATION.

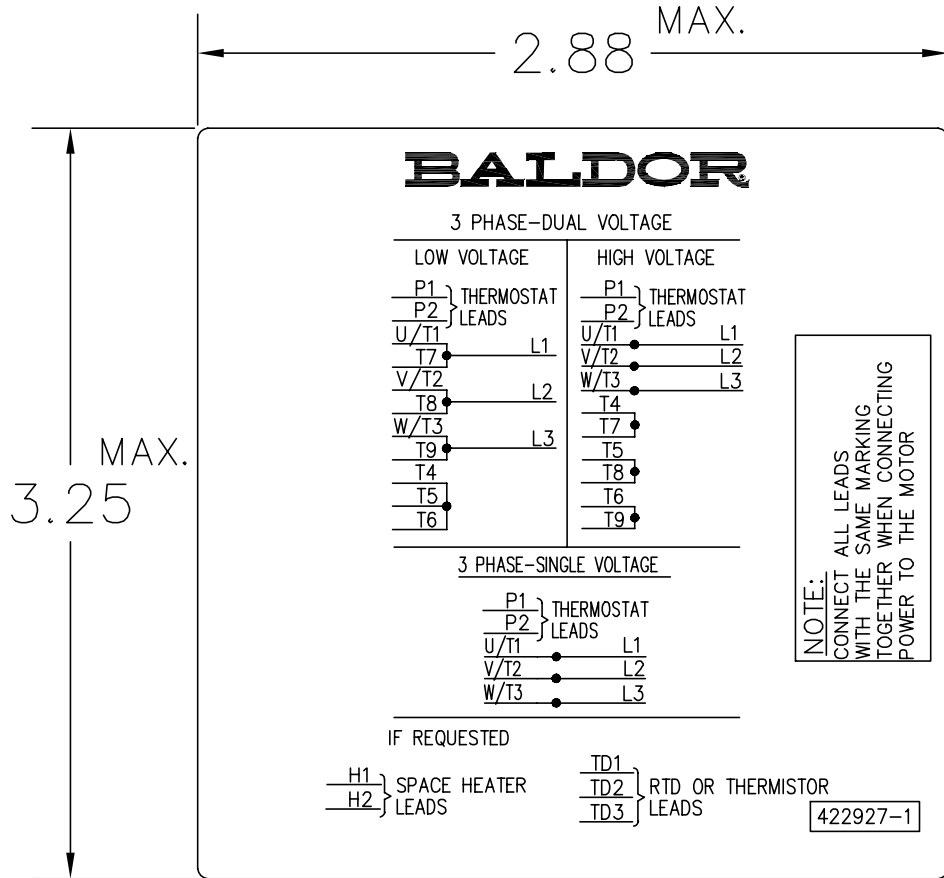
REV. DESC: BOX # 706320-9A, CHANGE AA DIM FROM 2 TO 2.50	TDR: 000000785386
REV. LTR: C	VERSION: 03
FILE: \RGG\00003\692	REVISED: 08:40:55 02/11/2013
MTL: -	BY: RGGWT

BALDOR

DIM SHT NEMA RL210-RL280 FL180-FL280 IEC RDL132-RDL180

SH 1 of 1

422927-001



NOTE:
DATA TO BE SIZED
SO THAT IT FITS INTO
MATERIAL DECAL
DIMENSIONS. MAKE
LETTERS & NUMBERS
AS LARGE AS POSSIBLE.

MATERIAL: CERAMATIC DGF-P4
PERMA GRIP ADHESIVE

ALL LETTERS, NUMBERS
AND LINES TO BE BLACK
ON WHITE BACKGROUND.

NOTE:
CONNECT ALL LEADS
WITH THE SAME MARKING
TOGETHER WHEN CONNECTING
POWER TO THE MOTOR

422927-1

422927-001

REV. DESC: CHANGE BACKGROUND COLOR FROM GOLD TO WHITE		
REV. LTR: B	VERSION: 02	TDR: 00000788708
FILE: \RGG\00000\203	REVISED: 08:09:29 03/04/2013	
MTL: -	BY: RGGWT	

BALDOR

EXTERNAL CONNECTION LABEL

SH 1 of 1

Marketing maintained PDF of MN406:

<http://www.baldor.com/support/Literature/Load.ashx/MN406?ManNumber=MN406>