

BALDOR® • **RELIANCE**

Product Information Packet

IDDRPM282004

200HP,1760RPM,3PH,NAHZ,RL2898,DPG-FV,FT

Part Detail							
Revision:	-	Status:	PRD/A	Change #:		Proprietary:	No
Type:	AC	Prod. Type:		Elec. Spec:	L1642A	CD Diagram:	422927-001
Enclosure:	DPFV	Mfg Plant:		Mech. Spec:		Layout:	617249-001
Frame:	RL2898	Mounting:	F1	Poles:	04	Created Date:	04-10-2015
Base:		Rotation:	R	Insulation:	H	Eff. Date:	04-13-2015
Leads:						Replaced By:	
Literature:		Elec. Diagram:					

Parts List		
Part Number	Description	Quantity
WS286671	WS P28R0310	1.000 EA
RA282879	RA P28R0310	1.000 EA
000613006MY	NP-RPMAC INVERTER DUTY	1.000 EA
000692000FP	NP, WARNING LIFT INSTRUCTIONS	1.000 EA
000692000LD	NP	1.000 EA
000692000VD	LABEL WARNING	1.000 EA
036170004EA	ROUND HEAD DRIVE SCREW	4.000 EA
422927001	C/D LABEL	1.000 EA
004824015A	GREASE POLYREX EM	0.300 LB
034693001AB	PPLG - G508- use 034692001AB	1.000 EA
034693001AB	PPLG - G508- use 034692001AB	1.000 EA
035000001A	ALFTG 1/8" 1610-BL	1.000 EA
035000001A	ALFTG 1/8" 1610-BL	1.000 EA
036100080JA	HSHCS M8 80MM UNPLATED	3.000 EA
036100080KA	M10-1.50X 80MM HXSOCHDCS	3.000 EA
036140001D	EYEBOLT - 360	2.000 EA
036500011AB	METRIC NUT M12-1.75 PLT.	4.000 EA
036500011AB	METRIC NUT M12-1.75 PLT.	4.000 EA
400638001G	WAVEN	1.000 EA
418150003A	GREASE FITTING CAP	2.000 EA
602018077A	DRAIN	1.000 EA
602018077A	DRAIN	1.000 EA
609830005ACE	TBOLT L2898	4.000 EA
807529002AAE	BRKT,DE,RL280	1.000 EA

Parts List (continued)		
Part Number	Description	Quantity
807529003ACB	BRKT,ODE,RL280	1.000 EA
000613006NT	NAME PLATE IEC	1.000 EA
032018004DK	HHCS,DRIP COVER	4.000 EA
032018006CK	HHCS 3/8-16X3/4L PLATED	4.000 EA
034017014AB	LCKW 3/8 STD. PLATED	4.000 EA
034017016AB	LCKW 1/2" PLATED	4.000 EA
036000012HB	HHCS M6X12MM LONG PLATED	4.000 EA
036000012JB	M8-1.25 X 12MM HXHDC	3.000 EA
036000012JB	M8-1.25 X 12MM HXHDC	4.000 EA
036000016KB	HHCSM10-1.5X16MM PLTD-280	2.000 EA
036000016KF	HHCS M10 16MM BRASS	2.000 EA
036000020JB	HHCS M8-1.25X20L PLTD-250	8.000 EA
036000025JB	HHCS M8X25MM LONG PLATED	4.000 EA
036600009AB	METRIC FLWASH M8 PLATED	3.000 EA
036620009AB	M8 EXTERNAL LK WASHER	3.000 EA
036620010AB	M10 EXT. TOOTH LK WASHER	2.000 EA
077176001A	CBOXC, PAINTED 360-400	1.000 EA
402731001A	GASK 360-440	1.000 EA
410978010C	FLANGE, INLET BLOWER HSG.	1.000 EA
410978019A	SCREEN, INLET FLANGE	1.000 EA
415000103E	T/LUG #4AWG-1/0AWG W/HOLE FOR .375 BOLT	1.000 EA
417733004AA	GASKET	2.000 EA
418018074A	GROUND LABEL G100 METRIC 160 D.C.	3.000 EA
422919360	HAND HOLE CVR KIT RL280	1.000 EA

422919360	HAND HOLE CVR KIT RL280	1.000 EA
609843001AH	GASKET RL280 (HHCVR)	1.000 EA
610490001AH	.75HP,3450//2850RPM,3PH,60//50HZ,56C,351	1.000 EA
611965001A	WHEEL, BLOWER	1.000 EA
706305301A	GUARD, SHAFT	1.000 EA
706320016A	CONDUIT BOX	1.000 EA
708528004J	BLOWER HOUSING	1.000 EA
000640000P	TAG WINDING THERMOST	1.000 EA
004824007K	SPECIAL PAINT	0.100 EA
034180032HA	KEY 5/8X5/8X4 L bin stocked	1.000 EA
418018116	WARNING PLATE	1.000 EA

REL. S. O. -
 FRAME RL2898
 HP 200
 BASE SPEED 1760
 PHASE/HERTZ 3/60

VOLTS 460
 AMPS 237
 DUTY CONT
 S.F. 1.0
 AMB °C/INSUL 40/H

ENCLOSURE 237
 MAX SAFE RPM 5000
 IM (AMPS) 72
 P.F. @NL/FL .052/.867
 WK² (LB-FT²) 11.1

DEPV 5000
 R1 .0208
 R2 .0154
 R3 .153

WYE CONN EQ CKT OHMS PER PHASE (AT BASE RATING, 25 °C)
 X1 .148
 X2 .153
 XM 3.75


RATED FULL LOAD DATA

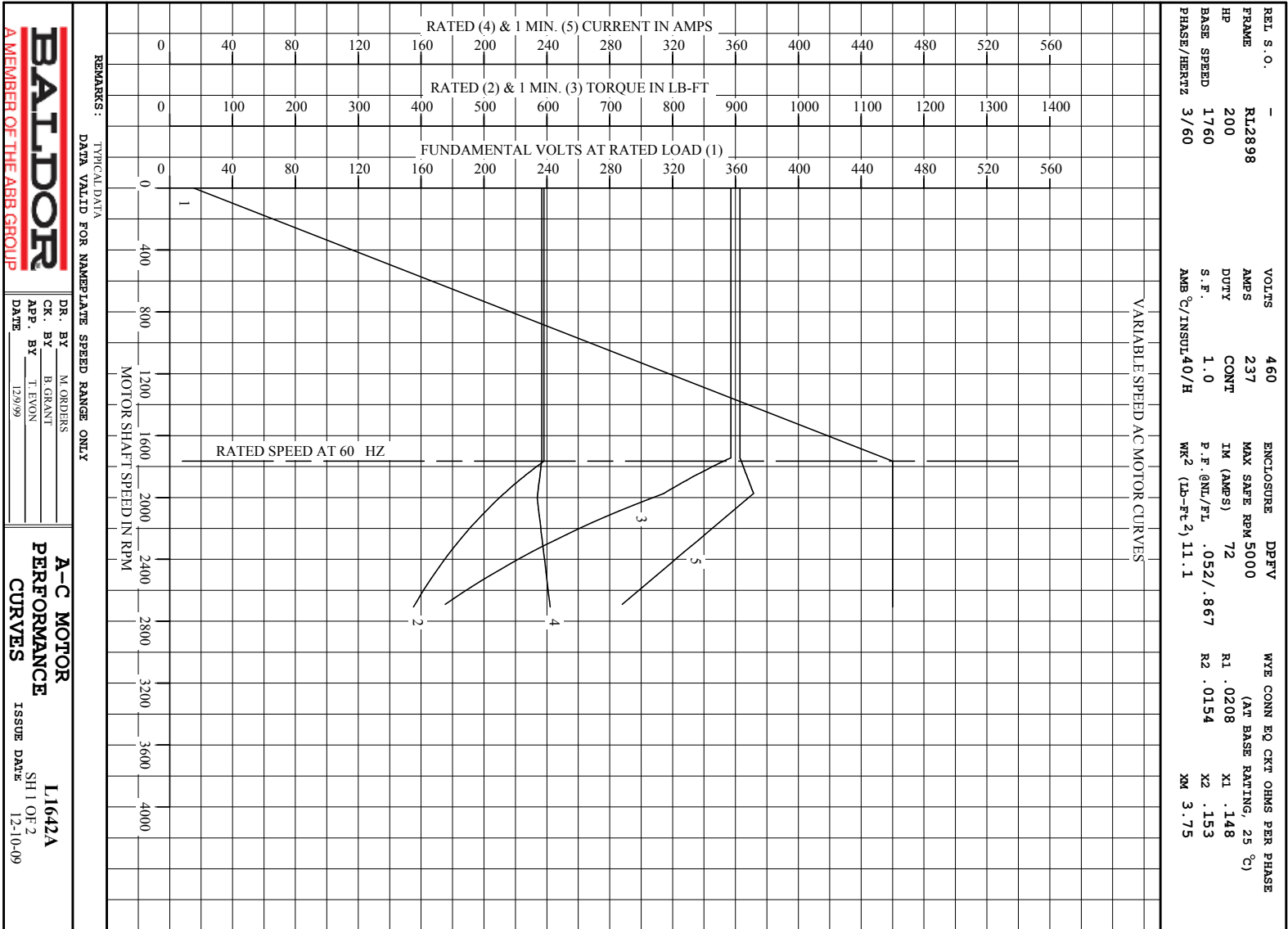
	RPM	HP	TORQUE LB-FT	FUND VOLTS	FREQ-HZ	AMPS
BASE SPEED	1766	200	595	460	60	237
MAX SPEED	2707	200	388	460	92.2	242
MIN SPEED	0	0	595	15.3	1.13	237

LOAD PERFORMANCE AT BASE SPEED

	RPM	HP	TORQUE LB-FT	FUND VOLTS	FREQ-HZ	AMPS
NO LOAD	1800	0	0	460	60	70.5
1/4	1792	50.0	147	460	60	91.5
1/2	1784	100	294	460	60	131
3/4	1776	150	444	460	60	181
FULL LOAD	1766	200	595	460	60	237
O/L	1743	296	893	460	60	363

REMARKS: TYPICAL DATA

 A MEMBER OF THE ABB GROUP	DR. BY _____	M. ORDERS	A-C MOTOR PERFORMANCE DATA
	CK. BY _____	B. GRANT	
	APP. BY _____	T. EVON	ISSUE DATE
	DATE _____	12/9/99	12-10-09

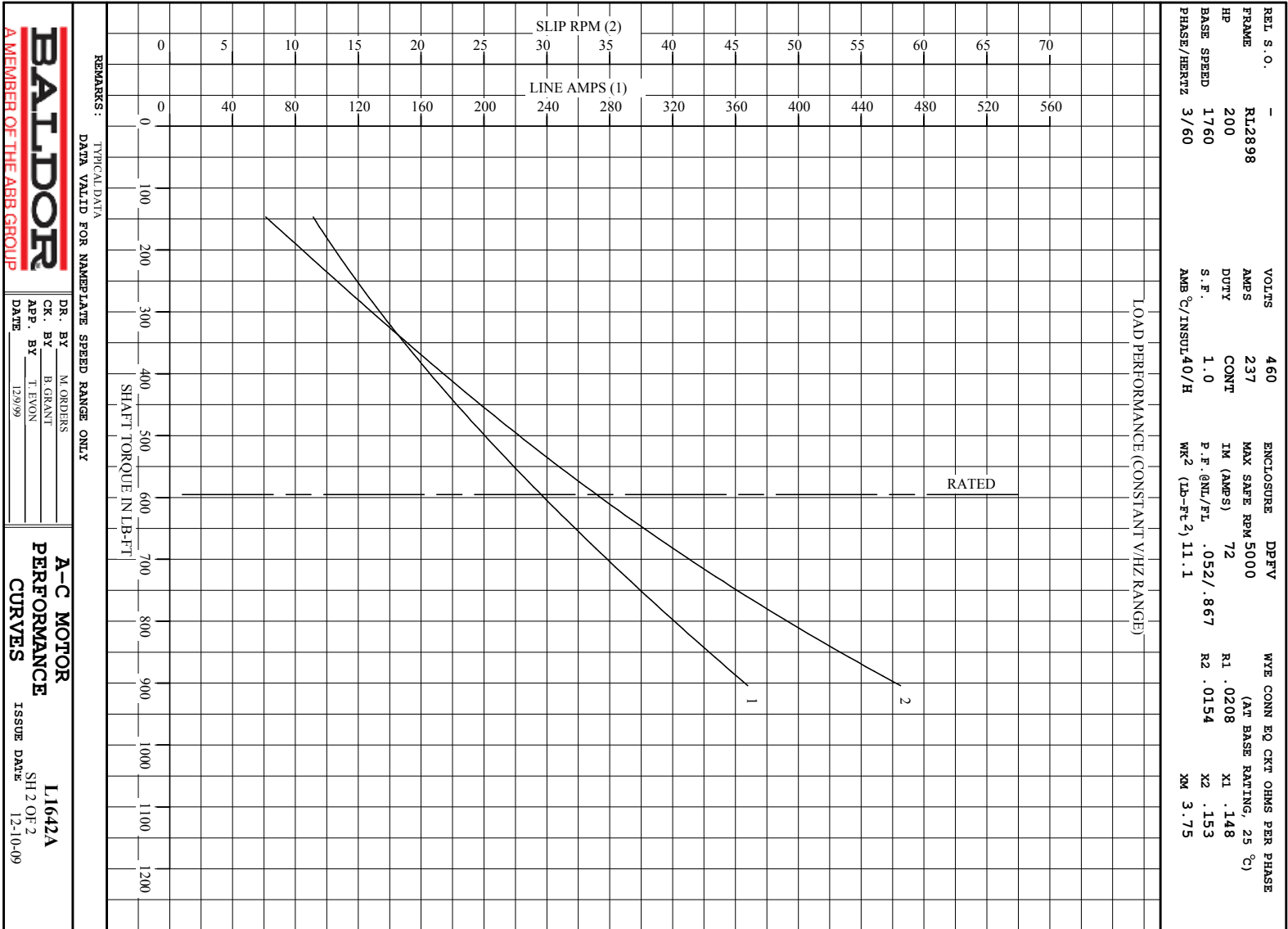


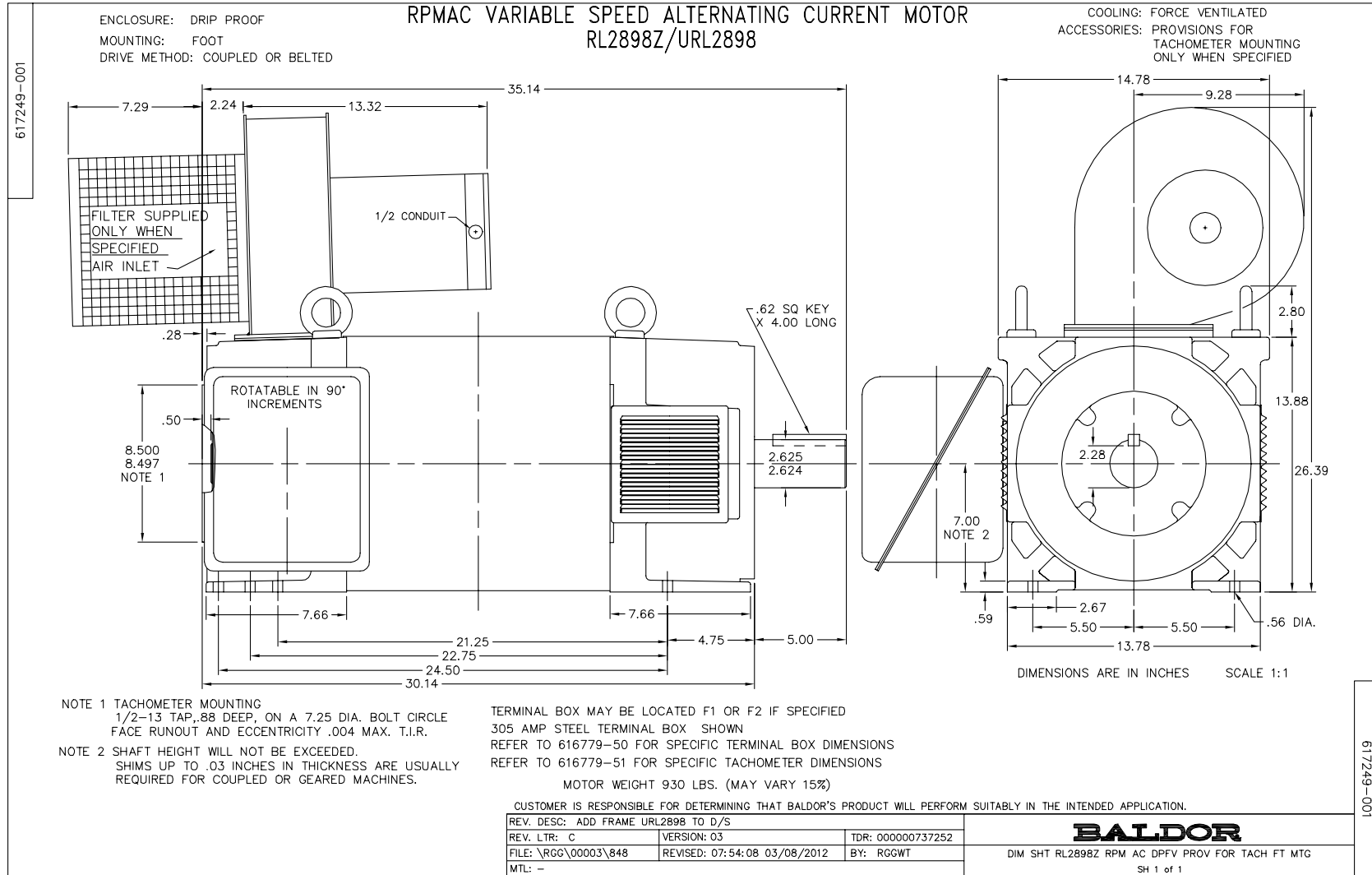
BALDOR
A MEMBER OF THE ABB GROUP

DR. BY M. ORDERS
CK. BY B. GRANT
APP. BY T. EVON
DATE 12/99

A-C MOTOR
PERFORMANCE
CURVES

L1642A
SH 1 OF 2
ISSUE DATE 12-10-09



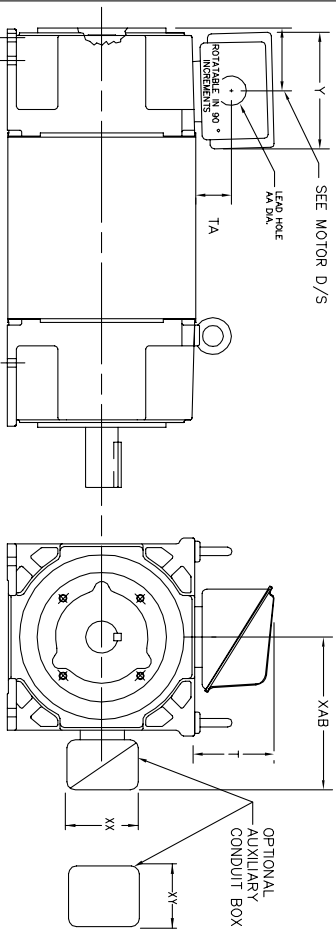


618779-050

INDUSTRIAL ALTERNATING CURRENT MOTORS

RPM AC

STEEL, CAST IRON, MILL AND TERMINAL BOARD CONDUIT BOX DIMENSIONS
 NEMA FRAMES FL210 thru RL280 and IEC FRAMES RDL132 thru RDL180
 NEMA FRAMES FL180 thru FL280 and IEC FRAMES FDL112 thru FDL180



TERMINAL BOX	Y	TA	T	AA	MAX AMP	REMARKS
706310-63B	14.39	7.43	12.15	--	400	TERMINAL STRIP
706310-226R	9.00	3.06	5.40	Pg36 & Pq16	160	TERMINAL STRIP
706310-225R	7.25	2.30	4.40	Pg29 & Pq16	100	TERMINAL STRIP
706310-56B	9.00	3.06	5.40	Pg36 & Pq16	160	TERMINAL STRIP
706310-56A	7.75	2.30	4.40	Pg29 & Pq16	100	TERMINAL STRIP
706320-14D	15.00	7.56	12.81	5	510	CAST IRON
706320-13A	10.50	4.88	9.00	4.0 TAP	210	CAST IRON
706320-12B	9.25	4.81	8.56	3	140	CAST IRON
75460-62B	7.25	2.50	5.25	1.5 TAP	110	CAST IRON
706320-4C	5.75	2.38	4.38	1.0 TAP	60	CAST IRON FL180 ONLY
706310-3E	16.00	4.40	7.81	3	590	MILL
706310-3X	8.00	2.38	5.00	--	160	MILL
702658-1G	14.62	7.56	12.70	5	500	STEEL
706320-16A	9.00	4.12	8.44	4.59	305	STEEL
706320-9A	7.25	3.50	7.06	2.50	160	STEEL
75454-1AJ	7.69	2.38	5.25	1.94	121	STEEL
75452-B	6.34	2.00	4.12	1.75	61	STEEL
75452-G	6.34	2.00	4.12	--	61	SPECIAL
706320-5A	6.12	2.38	4.38	1.75/2.00	75	STEEL FL180 ONLY
706320-3A	5.00	1.62	3.00	1.12	40	STEEL FL180 ONLY
706320-7A	7.62	2.00	7.00	2.5/3.0	208	STEEL FL180 ONLY

FRAME SIZE	XAB	OPTIMAL AUXILIARY CONDUIT BOX DIMENSIONS (MAXIMUM)				PART NUMBER			
		XX	XY	XX	XY				
FL210/FL132/RL210/RL132	7.38	4.25	4.25	6.0200-7-26-A	FL210/FL132/RL210/RL132	10.88	8.00	8.00	706310-3-B
FL220/FL180/RL220/RL180	8.44	4.23	4.23	6.0200-7-26-A	FL220/FL180/RL220/RL180	11.88	8.00	8.00	706310-3-B
FL280/FL180/RL280/RL180	9.12	4.23	4.23	6.0200-7-26-A	FL280/FL180/RL280/RL180	12.62	8.00	8.00	706310-3-B

- (1) 'AA' CONDUIT
- (2) 'AA' PIPE TAP
- (3) CUSTOMER TO PROVIDE HOLE FOR CONDUIT.
- (4) 'E' DN 'SA' OR 'I' TAP DN '4C'

TERMINAL BOX CAN BE ROTATED FOR LEAD OUTLET AT TOP, SIDES OR BOTTOM.
 TERMINAL BOX LOCATED ON OPPOSITE SIDE WHEN F-2, W-1, W-4, W-5, W-7,
 OR C-1 MOUNTING IS SPECIFIED. BOX LOCATED ON TOP WHEN SPECIFIED.

050-6071919

CUSTOMER IS RESPONSIBLE FOR DETERMINING THAT BALDOR'S PRODUCT WILL PERFORM SUITABLY IN THE INTENDED APPLICATION.

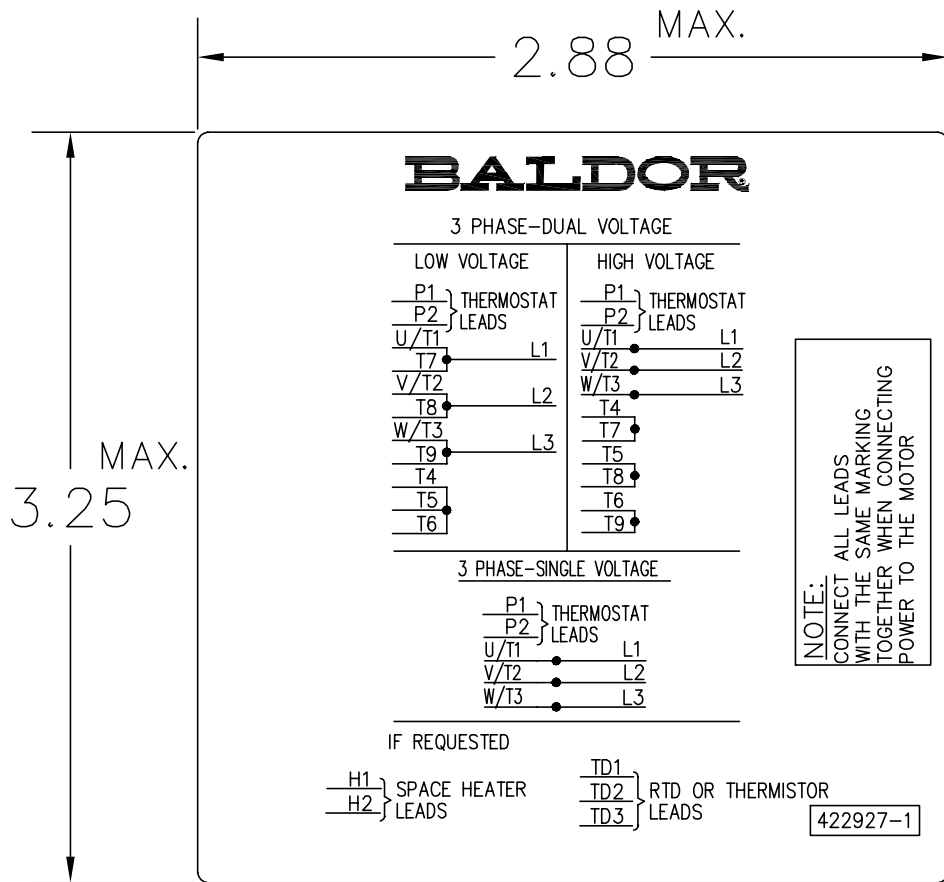
REV. DESC: BOX # 706320-9A, CHANGE AA DIM FROM 2 TO 2.50	TDR: 000000785386
REV. LTR: C	VERSION: 03
FILE: \RGG\00003\692	REVISED: 08:40:55 02/11/2013
MTL: -	BY: RGGWT

BALDOR

DIM SHT NEMA RL210-RL280 FL180-FL280 IEC RDL132-RDL180

SH 1 of 1

422927-001



NOTE:
DATA TO BE SIZED
SO THAT IT FITS INTO
MATERIAL DECAL
DIMENSIONS. MAKE
LETTERS & NUMBERS
AS LARGE AS POSSIBLE.

MATERIAL: CERAMATIC DGF-P4
PERMA GRIP ADHESIVE

ALL LETTERS, NUMBERS
AND LINES TO BE BLACK
ON WHITE BACKGROUND.

422927-001

REV. DESC: CHANGE BACKGROUND COLOR FROM GOLD TO WHITE		
REV. LTR: B	VERSION: 02	TDR: 000000788708
FILE: \RGG\00000\203	REVISED: 08:09:29 03/04/2013	
MTL: -	BY: RGGWT	

BALDOR

EXTERNAL CONNECTION LABEL

SH 1 of 1

Marketing maintained PDF of MN406:

<http://www.baldor.com/support/Literature/Load.ashx/MN406?ManNumber=MN406>