

BALDOR® • RELIANCE

Product Information Packet

IR3507M

.75HP, 1725RPM, 1PH, 60HZ, 56, 3524L, TEFC, F1

Part Detail							
Revision:	L	Status:	PRD/A	Change #:		Proprietary:	No
Type:	AC	Prod. Type:	3524L	Elec. Spec:	35WGT918	CD Diagram:	CD0831A02
Enclosure:	TEFC	Mfg Plant:		Mech. Spec:	35K634	Layout:	35LYK634
Frame:	56	Mounting:	F1	Poles:	04	Created Date:	02-17-2010
Base:	RG	Rotation:	R	Insulation:	B	Eff. Date:	03-17-2016
Leads:	6#18,1#16 #4TH					Replaced By:	
Literature:		Elec. Diagram:					

Nameplate NP1280L													
CAT.NO.	IR3507M												
SPEC.	35K634T918G1												
HP	.75												
VOLTS	115/208-230												
AMP	9.2/4.8-4.6												
RPM	1725												
FRAME	56					HZ	60			PH	1		
SER.F.	1.00					CODE	K			DES	N	CL	B
NEMA-NOM-EFF	70					PF	76						
RATING	40C AMB-CONT												
CC										USABLE AT 208V			
DE	6205					ODE	6203						
ENCL	TEFC					SN							

Parts List		
Part Number	Description	Quantity
SA191045	SA 35K634T918G1	1.000 EA
RA178709	RA 35K634T918G1	1.000 EA
TPMRJ28RB	THERMAL 1PH 0.75 MAN 120C	1.000 EA
EC1645A06SP	ELEC CAP, 645-774 MFD, 125V, 2.06D X 4.	1.000 EA
ES5204	115/40A,L ,IR ,130CO,1.8D*3.4 ,4-7-51	1.000 EA
NS2512A01	INSULATOR, CONDUIT BOX X	1.000 EA
35CB3007A59	35 CB .88 DIA @ 6:00, .75 MTO W/BOOT @ 3	1.000 EA
36GS1000	GASKET-CONDUIT BOX, .06 THICK #SV-330 LE	1.000 EA
51XB1016A07	10-16 X 7/16 HXWSSLD SERTYB	2.000 EA
11XW1032G06	10-32 X .38, TAPTITE II, HEX WSHR SLTD U	1.000 EA
51XT0632A06	6-32X3/8 TY23 HXWS SLDSR	2.000 EA
HA6001A01	THERMAL RETAINER (PLATED)	1.000 EA
51XB1214A10	12-14 X 5/8HX WS SL SR TYBX	2.000 EA
RM1014A01SP	BUTYL RUB.THRM COV. (MENA)	1.000 EA
35EP3100M41	FREP TEFC 203 BRG W/O GRSR (RAISED FH MT	1.000 EA
NS2501A02	INSULATOR, CAPACITOR BOX	1.000 EA
35CB3801	CAPACITOR COVER, CAST	1.000 EA
34GS3002	GASKET, CAPACITOR BOX	1.000 EA
HA7010	CAPACITOR RETENTION CLAMP	1.000 EA
51XB1016A08	10-16X 1/2HXWSSLD SERTYB	2.000 EA
HW5100A03SP	WAVY WASHER (W1543-017)	1.000 EA
35EP3101A02SP	STD PU ENDPLATE-ENCL-205 BRG LESS GREASE	1.000 EA
XY1032A02	10-32 HEX NUT DIRECTIONAL SERRATION	4.000 EA
51XB1214A16	12-14X1.00 HXWSSLD SERTYB	2.000 EA

Parts List (continued)		
Part Number	Description	Quantity
51XW1032A06	10-32 X .38, TAPTITE II, HEX WSHR SLTD S	3.000 EA
35FH4005A32SP	IEC FH NO GRSR W/3 HOLES - PRIMED	1.000 EA
35CB4521GX	CONDUIT BOX LID KIT	1.000 EA
51XW0832A07	8-32 X .44, TAPTITE II, HEX WSHR SLTD SE	6.000 EA
HW2501D13	KEY, 3/16 SQ X 1.375	1.000 EA
HA7000A04	KEY RETAINER 0.625 DIA SHAFTS	1.000 EA
85XU0407S04	4X1/4 U DRIVE PIN STAINLESS	2.000 EA
LB1087	LABEL,MANUAL RESET (ROLL LABEL)	1.000 EA
WD1000A15	3-520132-2 AMP FLAG (4M/RL NON-CANC/NON-	4.000 EA
MJ1000A02	GREASE, POLYREX EM EXXON (USe 4824-15A)	0.050 LB
35FN3002A05	EXFN, PLASTIC, 6.376 OD, .638 ID	1.000 EA
HA3100A18	THRUBOLT 10-32 X 9.250	4.000 EA
MG1025C02	WILKOFASST SG, 787.105, TAN	0.017 GA
LB1119N	WARNING LABEL	1.000 EA
NP1280L	ALUM FARM DUTY UL CSA CC THERMAL	1.000 EA
35PA1066	PKG GRP, PRINT PK1008A06	1.000 EA
MN416A01	TAG-INSTAL-MAINT no wire (1200/bx) 11/14	1.000 EA

Accessories		
Part Number	Description	Multiplier
35-8762	C FACE KIT	A8
35EP1506A01SP	D-FLANGE KIT	A8

AC Induction Motor Performance Data

Record # 36864 - Typical performance - not guaranteed values

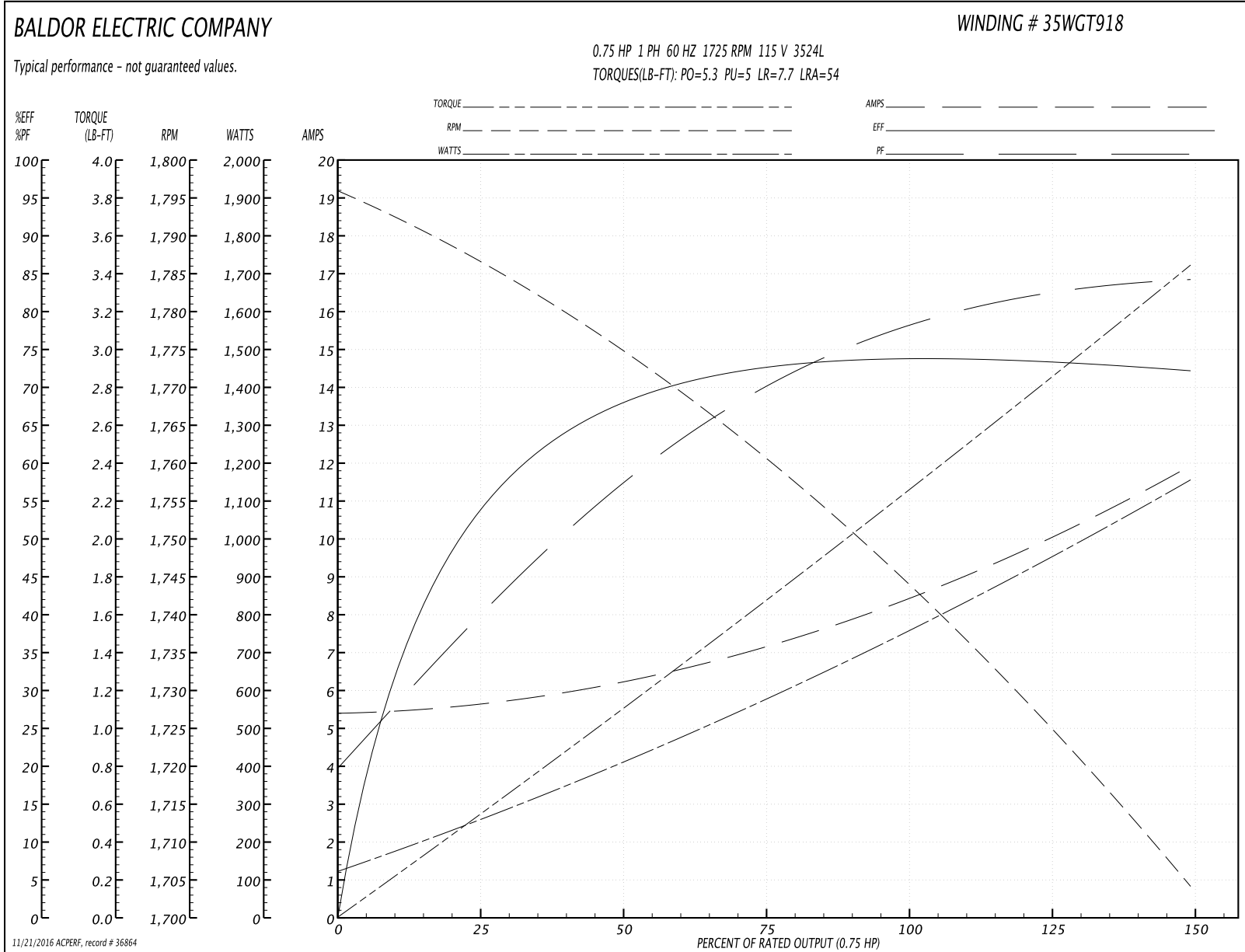
Winding: 35WGT918-R003	Type: 3524L	Enclosure: TEFC
-------------------------------	--------------------	------------------------

Nameplate Data				115 V, 60 Hz: Low Voltage Connection	
Rated Output (HP)	.75			Full Load Torque	2.3 LB-FT
Volts	115/208-230			Start Configuration	direct on line
Full Load Amps	9.2/4.8-4.6			Breakdown Torque	5.3 LB-FT
R.P.M.	1725			Pull-up Torque	5 LB-FT
Hz	60	Phase	1	Locked-rotor Torque	7.7 LB-FT
NEMA Design Code	N	KVA Code	K	Starting Current	54 A
Service Factor (S.F.)	1			No-load Current	5.4 A
NEMA Nom. Eff.	70	Power Factor	76	Line-line Res. @ 25°C	0.905 Ω A Ph 1.82 Ω B Ph
Rating - Duty	40C AMB-CONT			Temp. Rise @ Rated Load	

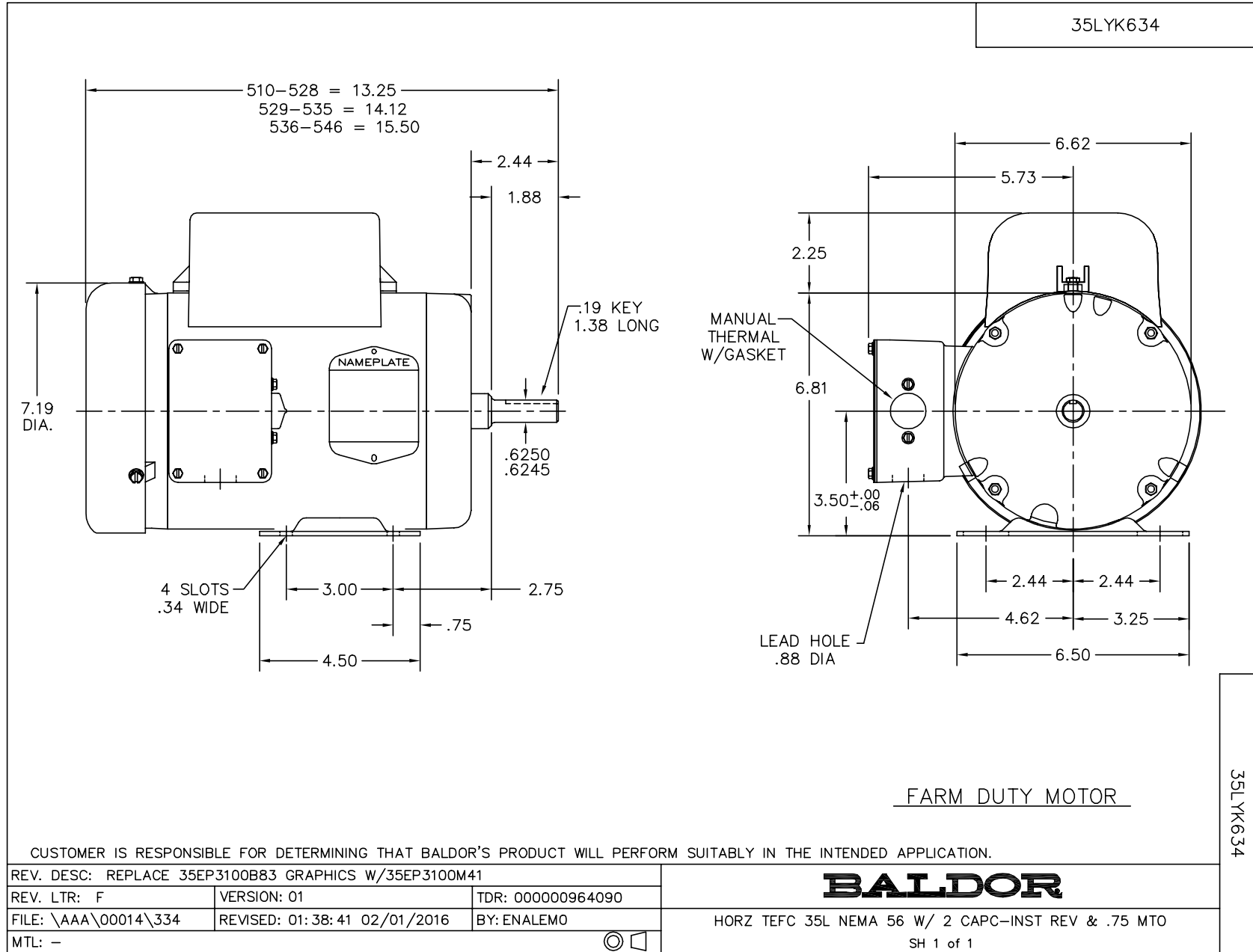
Load Characteristics 115 V, 60 Hz, 0.75 HP

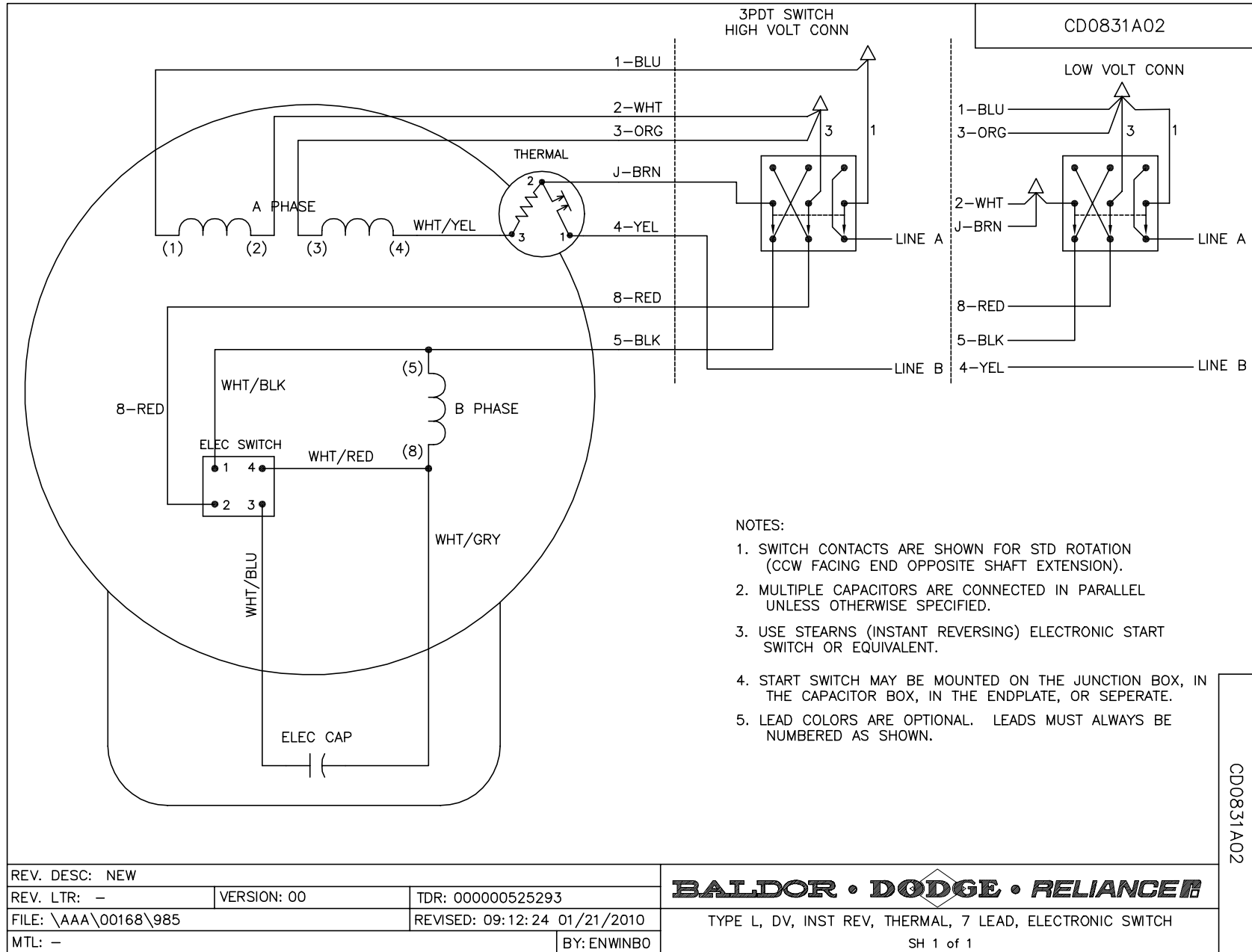
% of Rated Load	25	50	75	100	125	150
Power Factor	42	58	72	78	83	84
Efficiency	54	67.7	72.9	74.2	73.8	71.8
Speed	1785	1773	1759	1744	1725	1703
Line amperes	5.6	6.4	7.2	8.6	10	12

Performance Graph at 115V, 60Hz, 0.75HP Typical performance - Not guaranteed values



11/21/2016 ACPERF, record # 36864





REV. DESC: NEW		
REV. LTR: -	VERSION: 00	TDR: 000000525293
FILE: \AAA\00168\985	REVISED: 09:12:24 01/21/2010	
MTL: -	BY: ENWINBO	

BALDOR • DODGE • RELIANCE

TYPE L, DV, INST REV, THERMAL, 7 LEAD, ELECTRONIC SWITCH

SH 1 of 1

CD0831A02