

BALDOR® • **RELIANCE**

Product Information Packet

KM3454-57

.25HP, IP54, 1425RPM, 3PH, 50HZ, 56C, 3410M

Part Detail							
Revision:	E	Status:	PRD/A	Change #:		Proprietary:	No
Type:	AC	Prod. Type:	3410M	Elec. Spec:	34WGS886	CD Diagram:	CD0022
Enclosure:	TEFC	Mfg Plant:		Mech. Spec:	34A063	Layout:	34LYA063
Frame:	56C	Mounting:	F1	Poles:	04	Created Date:	09-02-2011
Base:	N	Rotation:	R	Insulation:	B	Eff. Date:	08-27-2014
Leads:	6#18					Replaced By:	
Literature:		Elec. Diagram:					

Nameplate NP1372L										
CAT.NO.	KM3454-57									
SPEC.	34A063S886G1									
HP	.25 IP54									
VOLTS	230/400									
AMP	1.2/.7									
RPM	1425									
FRAME	56C				HZ	50			PH	3
SER.F.	1.25		CODE	L	DES	B		CL	B	
NEMA-NOM-EFF	64		PF	59						
RATING	40C AMB-CONT									
CC									USABLE AT 208V	
DE	6203				ODE	6203				
ENCL	TEFC		SN							
	SFA 1.3/.75									

Parts List		
Part Number	Description	Quantity
SA230020	SA 34A063S886G1	1.000 EA
RA217054	RA 34A063S886G1	1.000 EA
NS2512A01	INSULATOR, CONDUIT BOX X	1.000 EA
34CB3002A	CB CAST W/.88 DIA HOLE	1.000 EA
34GS1029A01	GASKET, CONDUIT BOX	1.000 EA
51XB1016A07	10-16 X 7/16 HXWSSLD SERTYB	2.000 EA
11XW1032G06	10-32 X .38, TAPTITE II, HEX WSHR SLTD U	1.000 EA
34EP3102A01SP	FR ENDPLATE, MACH	1.000 EA
HW5100A03SP	WAVY WASHER (W1543-017)	1.000 EA
34EP3300A24SP	PU ENDPLATE, MACH	1.000 EA
51XN1032A20	10-32 X 1 1/4 HX WS SL SR	2.000 EA
34FN3002A01SP	EXTERNAL FAN, PLASTIC, .637/.639 HUB W/	1.000 EA
51XW1032A06	10-32 X .38, TAPTITE II, HEX WSHR SLTD S	3.000 EA
34CB4517	CB LID 4 MTG HOLES .22 DIA STAMPED, FOR	1.000 EA
34GS1031A01	GASKET, FLAT CONDUIT BOX LID (LEXIDE)	1.000 EA
51XW0832A07	8-32 X .44, TAPTITE II, HEX WSHR SLTD SE	4.000 EA
HW2501D13	KEY, 3/16 SQ X 1.375	1.000 EA
34FH4002A01SP	IEC FH NO GREASER PRIMED	1.000 EA
HA7000A04	KEY RETAINER 0.625 DIA SHAFTS	1.000 EA
MG1000G27	MED CHARCOAL METALLIC GREY 400-0096	0.014 GA
10XF0440S02	04-40 X 1/8 TYPE F HEX HD STAINLESS STIC	2.000 EA
HA4067A01	PUSH IN DRAIN FITTING (BLACK)	1.000 EA
HA4067A01	PUSH IN DRAIN FITTING (BLACK)	1.000 EA
HA3100A12	THRUBOLT 10-32 X 7.375	4.000 EA

Parts List (continued)		
Part Number	Description	Quantity
LB1119N	WARNING LABEL	1.000 EA
MN416A01	TAG-INSTAL-MAINT no wire (1200/bx) 11/14	1.000 EA
LC0034	CONNECTION LABEL	1.000 EA
NP1372L	ALUM UL CSA CE CC	1.000 EA
35PA1000	PKG GRP, PRINT PK1008A06	1.000 EA

AC Induction Motor Performance Data

Record # 35108 - Typical performance - not guaranteed values

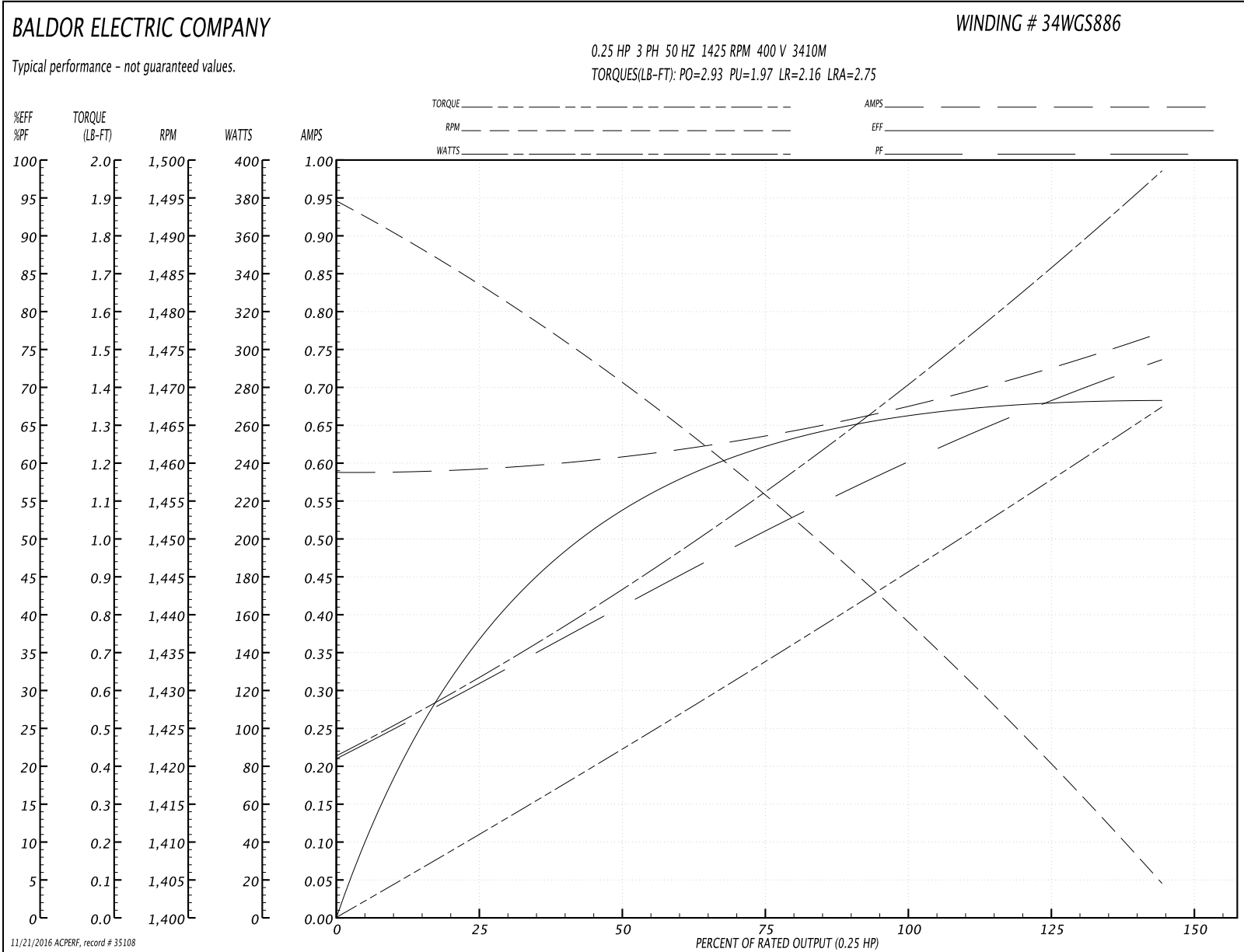
Winding: 34WGS886-R001	Type: 3410M	Enclosure: TEFC
-------------------------------	--------------------	------------------------

Nameplate Data				400 V, 50 Hz: High Voltage Connection	
Rated Output (HP)	.25			Full Load Torque	0.901 LB-FT
Volts	230/400			Start Configuration	direct on line
Full Load Amps	1.2/7			Breakdown Torque	2.93 LB-FT
R.P.M.	1425			Pull-up Torque	1.97 LB-FT
Hz	50	Phase	3	Locked-rotor Torque	2.16 LB-FT
NEMA Design Code	B	KVA Code	L	Starting Current	2.75 A
Service Factor (S.F.)	1.25			No-load Current	0.59 A
NEMA Nom. Eff.	64	Power Factor	59	Line-line Res. @ 25°C	72 Ω
Rating - Duty	40C AMB-CONT			Temp. Rise @ Rated Load	53°C
S.F. Amps	1.3/7.5			Temp. Rise @ S.F. Load	60°C
				Locked-rotor Power Factor	80
				Rotor inertia	0.0238 LB-FT ²

Load Characteristics 400 V, 50 Hz, 0.25 HP

% of Rated Load	25	50	75	100	125	150	S.F.
Power Factor	30	42	51	59	67	74	67
Efficiency	37.9	53.7	61.9	66.1	68.2	68.2	68.2
Speed	1483	1470	1456	1440	1423	1404	1423
Line amperes	0.592	0.603	0.635	0.678	0.723	0.769	0.723

Performance Graph at 400V, 50Hz, 0.25HP Typical performance - Not guaranteed values



AC Induction Motor Performance Data
Record # 46459 - Typical performance - not guaranteed values

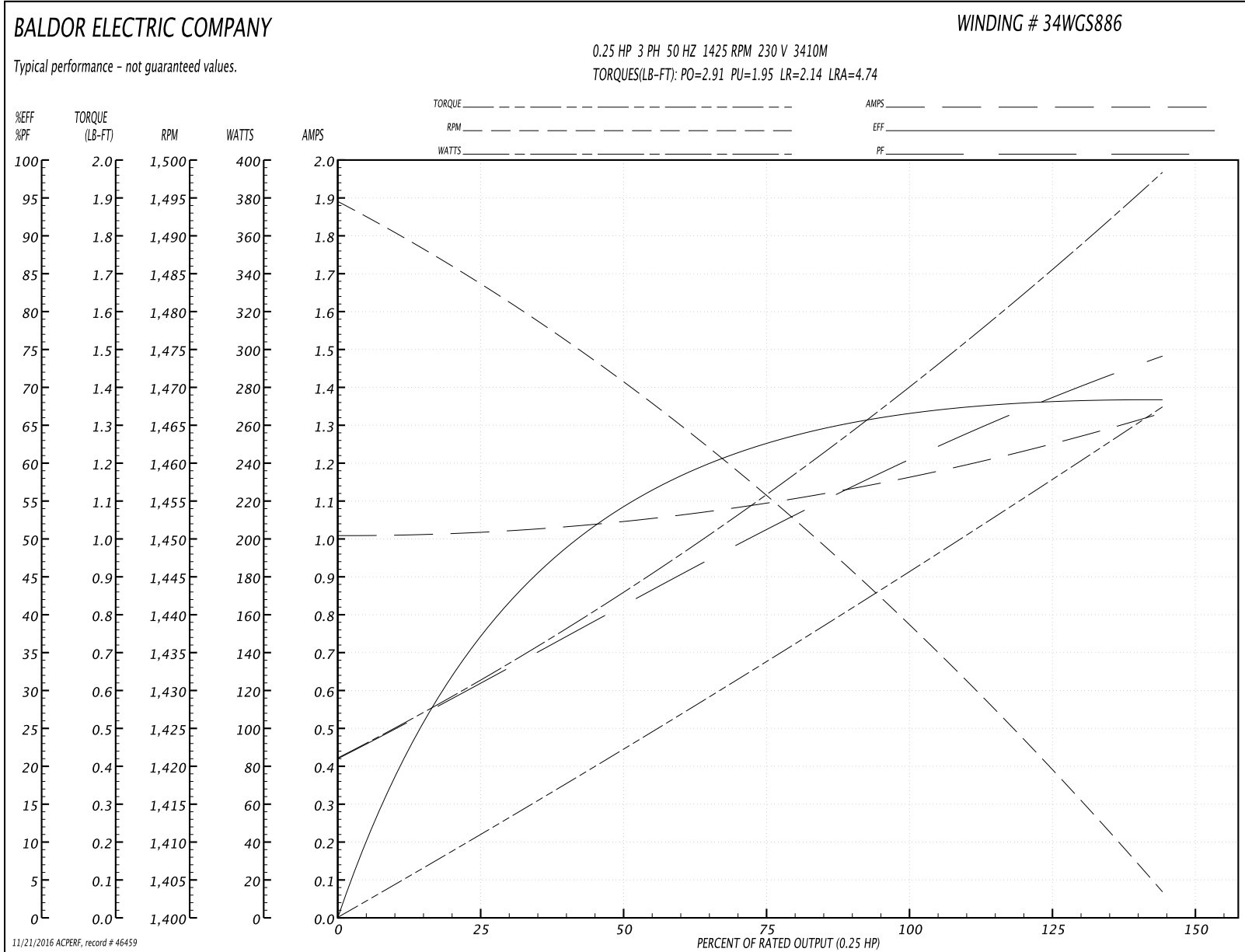
Winding: 34WGS886-R001	Type: 3410M	Enclosure: TEFC
-------------------------------	--------------------	------------------------

Nameplate Data				230 V, 50 Hz: Low Voltage Connection	
Rated Output (HP)	.25			Full Load Torque	0.901 LB-FT
Volts	230/400			Start Configuration	direct on line
Full Load Amps	1.2/7			Breakdown Torque	2.91 LB-FT
R.P.M.	1425			Pull-up Torque	1.95 LB-FT
Hz	50	Phase	3	Locked-rotor Torque	2.14 LB-FT
NEMA Design Code	B	KVA Code	L	Starting Current	4.74 A
Service Factor (S.F.)	1.25			No-load Current	1.01 A
NEMA Nom. Eff.	64	Power Factor	59	Line-line Res. @ 25°C	24.1 Ω
Rating - Duty	40C AMB-CONT			Temp. Rise @ Rated Load	52°C
S.F. Amps	1.3/75			Temp. Rise @ S.F. Load	59°C
				Locked-rotor Power Factor	80
				Rotor inertia	0.0238 LB-FT ²

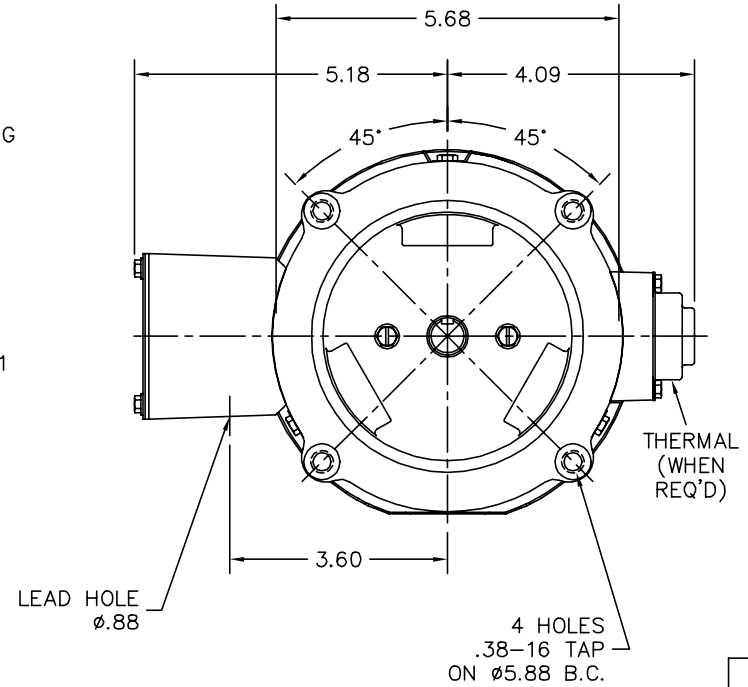
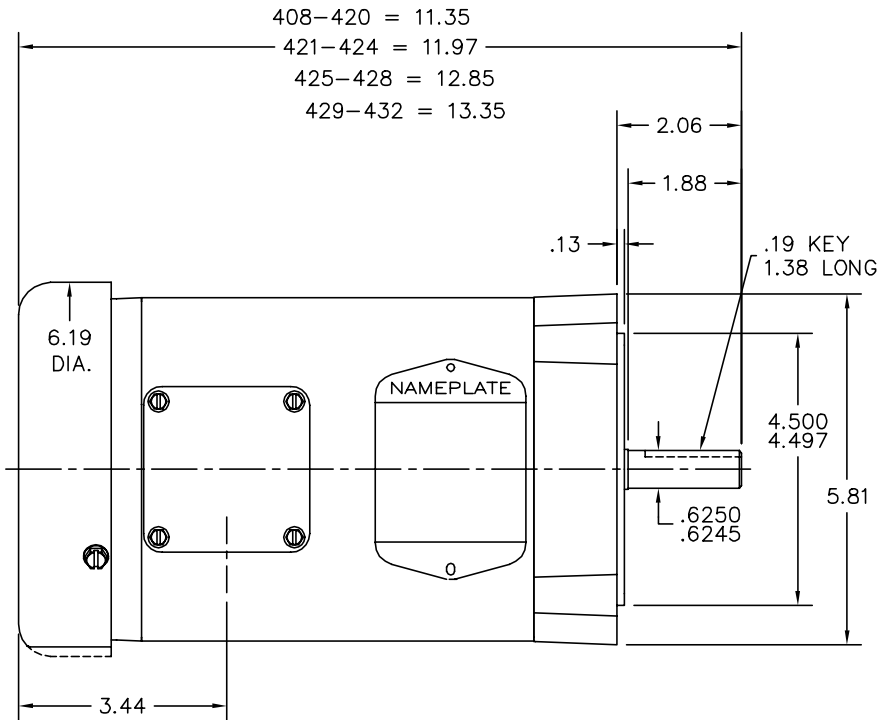
Load Characteristics 230 V, 50 Hz, 0.25 HP

% of Rated Load	25	50	75	100	125	150	S.F.
Power Factor	30	42	52	60	68	74	68
Efficiency	38.4	54.1	62.3	66.3	68.4	68.3	68.4
Speed	1483	1470	1456	1440	1422	1403	1422
Line amperes	1.02	1.04	1.09	1.17	1.24	1.33	1.24

Performance Graph at 230V, 50Hz, 0.25HP Typical performance - Not guaranteed values



34LYA063



CUSTOMER IS RESPONSIBLE FOR DETERMINING THAT BALDOR'S PRODUCT WILL PERFORM SUITABLY IN THE INTENDED APPLICATION.

REV. DESC: UPDATE PARTS		
REV. LTR: L	VERSION: 02	TDR: 000000998268
FILE: \AAA\00000\724	REVISED: 02:36:11 09/27/2016	BY: ENBENBO
MTL: -	☉ □	

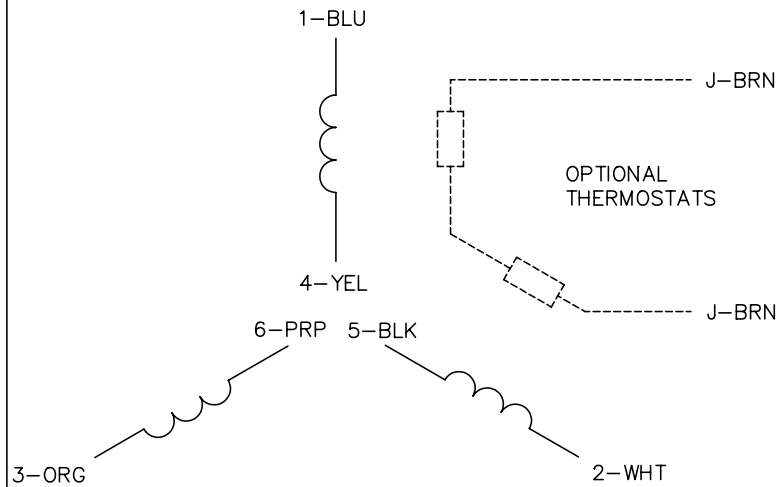
BALDOR

STD VERT 34M NEMA 56C TEFC

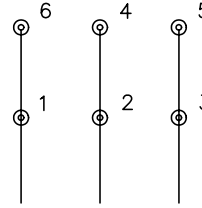
SH 1 of 1

34LYA063

CD0022

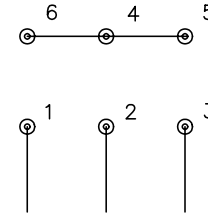


LOW VOLTAGE
(1D)



LINE

HIGH VOLTAGE
(1Y)



LINE

NOTES:

1. INTERCHANGE ANY TWO LINE LEADS TO REVERSE ROTATION.
2. OPTIONAL THERMOSTATS ARE PROVIDED WHEN SPECIFIED.
3. ACTUAL NUMBER OF INTERNAL PARALLEL CIRCUITS MAY BE A MULTIPLE OF THOSE SHOWN ABOVE.
4. LEAD COLORS ARE OPTIONAL. LEADS MUST ALWAYS BE NUMBERED AS SHOWN.

REV. DESC: REVISE TO SHOW OPTIONAL COLORS

REV. LTR: F

BY: JLP

REVISED: 01/21/99 3:54

TDR: 0171435

CD0022

FILE: AAA00005144

MDL: -

MTL: -

BALDOR ELECTRIC Co.

3PH, DV, 6 LEADS, DELTA/WYE CONNECTION

CD0022