

BALDOR® • ***RELIANCE***

Product Information Packet

L1310M

1HP,1725RPM,1PH,60HZ,56/56H,3520L,OPEN

Part Detail							
Revision:	AG	Status:	PRD/A	Change #:		Proprietary:	No
Type:	AC	Prod. Type:	3520L	Elec. Spec:	35WGW076	CD Diagram:	CD0269
Enclosure:	OPEN	Mfg Plant:		Mech. Spec:	35J384	Layout:	35LYJ384
Frame:	56H	Mounting:	F1	Poles:	04	Created Date:	
Base:	RG	Rotation:	R	Insulation:	B	Eff. Date:	07-28-2016
Leads:	4#16 A&J,2#18 B PH,1#14 #4TH					Replaced By:	
Literature:		Elec. Diagram:					

Nameplate NP1257L	
CAT.NO.	L1310M
SPEC.	35J384W76
HP	1
VOLTS	115/230
AMP	13.4/6.7
RPM	1725
FRAME	56H
	HZ 60
	PH 1
SER.F.	1.15
	CODE K
	DES N
	CL B
NEMA-NOM-EFF	66
	PF 72
RATING	40C AMB-CONT
CC	USABLE AT 208V 7.4
DE	6205
	ODE 6203
ENCL	OPEN
	SN

Parts List		
Part Number	Description	Quantity
SA025953	SA 35J384W76	1.000 EA
RA022003	RA 35J384W76	1.000 EA
EC1645A06SP	ELEC CAP, 645-774 MFD, 125V, 2.06D X 4.	1.000 EA
NS2512A01	INSULATOR, CONDUIT BOX X	1.000 EA
35CB3007	35 CB CASTING W/.88 DIA. LEAD HOLE	1.000 EA
51XB1016A07	10-16 X 7/16 HXWSSLD SERTYB	2.000 EA
11XW1032G06	10-32 X .38, TAPTITE II, HEX WSHR SLTD U	1.000 EA
35EP3201A03	STD FR EP OPEN-203BRG-35L OR M FRAME--LE	1.000 EA
51XW0832A07	8-32 X .44, TAPTITE II, HEX WSHR SLTD SE	2.000 EA
NS2501A01	INSULATOR, CAPACITOR	1.000 EA
51XB1016A05	10-16X5/16HX WA SL SR TYB (F/S)	2.000 EA
HW5100A03SP	WAVY WASHER (W1543-017)	1.000 EA
35EP3200A02	PUEP OPEN 205 BRG	1.000 EA
XY1032A02	10-32 HEX NUT DIRECTIONAL SERRATION	4.000 EA
35CB4521	35 LIPPED CB LID (GALV & PHOSPH)	1.000 EA
51XW0832A07	8-32 X .44, TAPTITE II, HEX WSHR SLTD SE	4.000 EA
HW2501D13	KEY, 3/16 SQ X 1.375	1.000 EA
HA7000A04	KEY RETAINER 0.625 DIA SHAFTS	1.000 EA
85XU0407S04	4X1/4 U DRIVE PIN STAINLESS	2.000 EA
WD1000A15	3-520132-2 AMP FLAG (4M/RL NON-CANC/NON-	2.000 EA
MJ1000A02	GREASE, POLYREX EM EXXON (USe 4824-15A)	0.050 LB
MG1000G27	MED CHARCOAL METALLIC GREY 400-0096	0.017 GA
NP1257L	ALUM UL CSA CC THERMAL REV MTG	1.000 EA
35CB4802A02SP	CAPACITOR COVER, STAMPED X	1.000 EA

Parts List (continued)		
Part Number	Description	Quantity
HA3100A18	THRUBOLT 10-32 X 9.250	4.000 EA
SP5051A24	MODEL 35 TORQ STATIONARY SWITCH FOR "L"	1.000 EA
LB1087	LABEL,MANUAL RESET (ROLL LABEL)	1.000 EA
LB1119N	WARNING LABEL	1.000 EA
LC0269	1PH,DV,REV,THERMAL,7 LD,L.AMP THRU HTR H	1.000 EA
35PA1066	PKG GRP, PRINT PK1008A06	1.000 EA
MN416A01	TAG-INSTAL-MAINT no wire (1200/bx) 11/14	1.000 EA

Accessories		
Part Number	Description	Multiplier
35-8764	C FACE KIT	A8
35EP1604A01SP	D-FLANGE KIT	A8

AC Induction Motor Performance Data
Record # 9761 - Typical performance - not guaranteed values

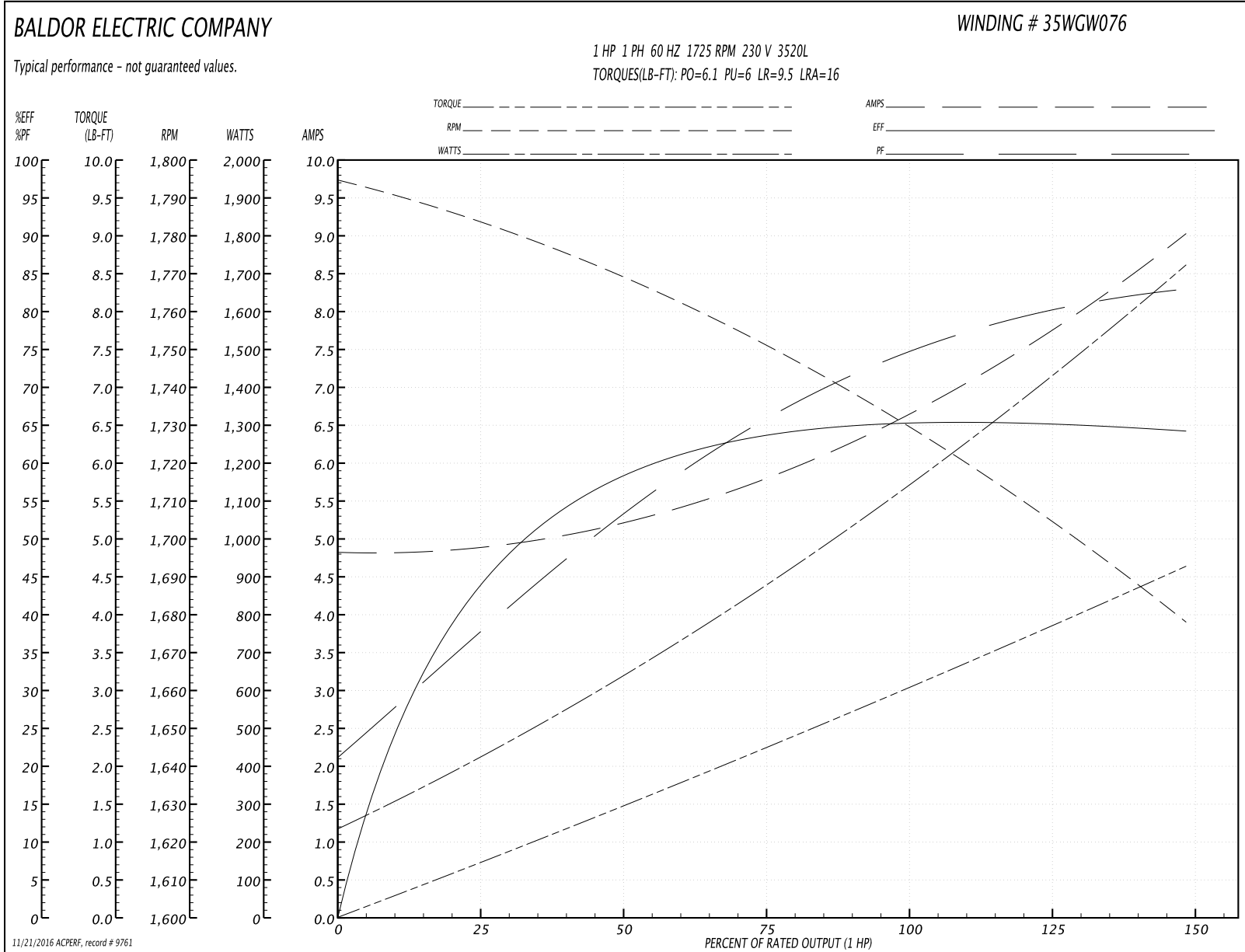
Winding: 35WGW076-R001	Type: 3520L	Enclosure: OPEN
-------------------------------	--------------------	------------------------

Nameplate Data				230 V, 60 Hz: High Voltage Connection	
Rated Output (HP)	1			Full Load Torque	3.1 LB-FT
Volts	115/230			Start Configuration	direct on line
Full Load Amps	13.4/6.7			Breakdown Torque	6.1 LB-FT
R.P.M.	1725			Pull-up Torque	6 LB-FT
Hz	60	Phase	1	Locked-rotor Torque	9.5 LB-FT
NEMA Design Code	N	KVA Code	K	Starting Current	16 A
Service Factor (S.F.)	1.15			No-load Current	4.8 A
NEMA Nom. Eff.	66	Power Factor	72	Line-line Res. @ 25°C	3.09 Ω A Ph 1.9 Ω B Ph
Rating - Duty	40C AMB-CONT			Temp. Rise @ Rated Load	56°C
S.F. Amps				Temp. Rise @ S.F. Load	64°C

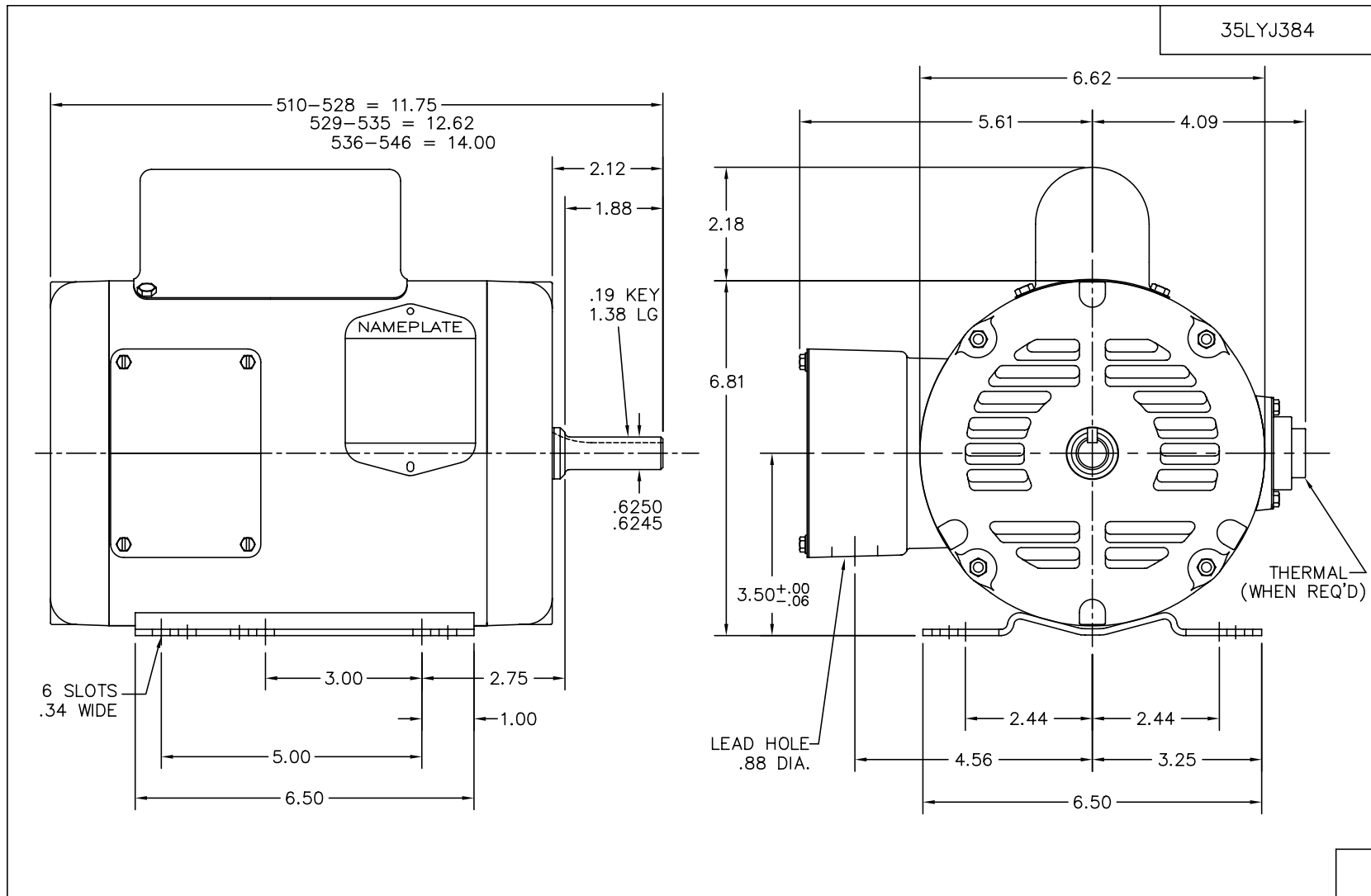
Load Characteristics 230 V, 60 Hz, 1 HP

% of Rated Load	25	50	75	100	125	150	S.F.
Power Factor	37	52	64	72	79	83	76
Efficiency	43.4	58.2	64	66	65.8	63.7	65.9
Speed	1782	1766	1749	1729	1706	1676	1715
Line amperes	4.9	5.3	5.9	6.7	7.7	9.1	7.3

Performance Graph at 230V, 60Hz, 1.0HP Typical performance - Not guaranteed values



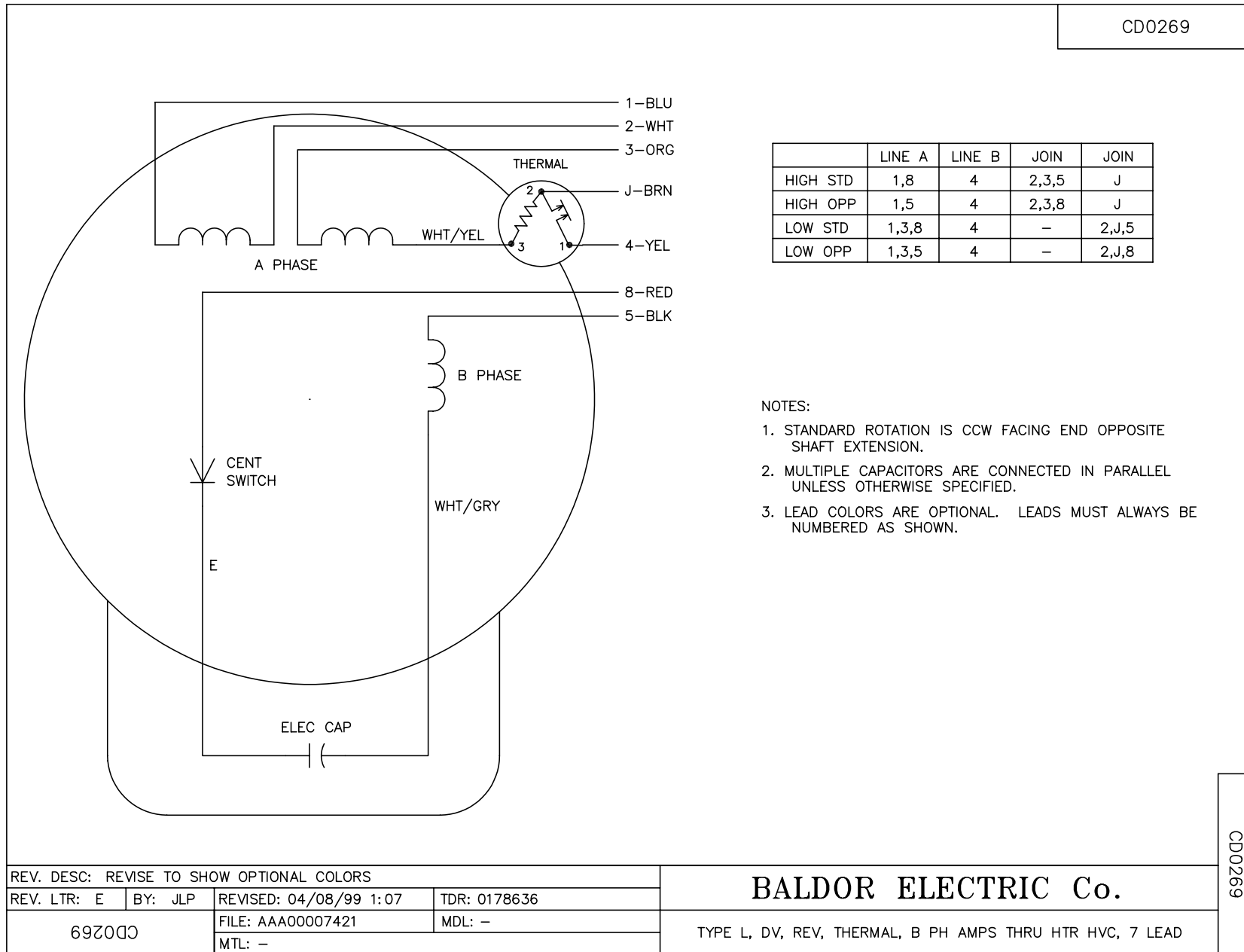
11/21/2016 ACPERF, record # 9761



CUST. NAME		CUST. P.O.		CERTIFIED BY		MODEL		INSUL		AMB	
H.P.		MTG		TYPE		R.P.M.		VOLTS		ENCL	
REV. LTR: D		BY: JED		REVISED: 04/09/99 11:14		TDR: 0171806		PHASE		FREQ	
35LYJ384		FILE: AAA00010412		MDL: -		MTL: -		STD HORZ 35L NEMA 56/56H OPEN		35LYJ384	

BALDOR ELECTRIC Co.

CD0269



NOTES:

1. STANDARD ROTATION IS CCW FACING END OPPOSITE SHAFT EXTENSION.
2. MULTIPLE CAPACITORS ARE CONNECTED IN PARALLEL UNLESS OTHERWISE SPECIFIED.
3. LEAD COLORS ARE OPTIONAL. LEADS MUST ALWAYS BE NUMBERED AS SHOWN.

REV. DESC: REVISE TO SHOW OPTIONAL COLORS			
REV. LTR: E	BY: JLP	REVISED: 04/08/99 1:07	TDR: 0178636
692000		FILE: AAA00007421	MDL: -
		MTL: -	

BALDOR ELECTRIC Co.

TYPE L, DV, REV, THERMAL, B PH AMPS THRU HTR HVC, 7 LEAD

CD0269