

BALDOR® • **RELIANCE**

Product Information Packet

L3507-50

.75HP, 1425RPM, 1PH, 50HZ, 56, 3524L, TEFC, F1

Part Detail							
Revision:	AN	Status:	PRD/A	Change #:		Proprietary:	No
Type:	AC	Prod. Type:	3524L	Elec. Spec:	35WGY978	CD Diagram:	CD0001
Enclosure:	TEFC	Mfg Plant:		Mech. Spec:	35C011	Layout:	35LYC011
Frame:	56	Mounting:	F1	Poles:	04	Created Date:	
Base:	RG	Rotation:	R	Insulation:	B	Eff. Date:	02-23-2016
Leads:	6#18					Replaced By:	
Literature:		Elec. Diagram:					

Nameplate NP1372L										
CAT.NO.	L3507-50									
SPEC.	35C11Y978									
HP	.75									
VOLTS	110/220									
AMP	10/5									
RPM	1425 IP54									
FRAME	56					HZ	50		PH	1
SER.F.	1.25					CODE	J		DES	N
NEMA-NOM-EFF	66					PF	76		CL	B
RATING	40C AMB-CONT									
CC						USABLE AT 208V				
DE	6205					ODE	6203			
ENCL	TEFC					SN				
	SFA 12/6									

Parts List		
Part Number	Description	Quantity
SA022548	SA 35C11Y978	1.000 EA
RA018598	RA 35C11Y978	1.000 EA
EC1460A03	ELEC CAP 115V 1.8 X 3.3 CK - WESTVILLE	1.000 EA
NS2512A01	INSULATOR, CONDUIT BOX X	1.000 EA
35CB3007	35 CB CASTING W/.88 DIA. LEAD HOLE	1.000 EA
36GS1000	GASKET-CONDUIT BOX, .06 THICK #SV-330 LE	1.000 EA
51XB1016A07	10-16 X 7/16 HXWSSLD SERTYB	2.000 EA
11XW1032G06	10-32 X .38, TAPTITE II, HEX WSHR SLTD U	1.000 EA
51XW0832A07	8-32 X .44, TAPTITE II, HEX WSHR SLTD SE	2.000 EA
35EP3100M02	FREP TEFC 203 BRG W/O GR SR (RAISED FH MT)	1.000 EA
NS2501A01	INSULATOR, CAPACITOR	1.000 EA
51XB1016A05	10-16X5/16HX WA SL SR TYB (F/S)	2.000 EA
HW5100A03SP	WAVY WASHER (W1543-017)	1.000 EA
35EP3101A02SP	STD PU ENDPLATE-ENCL-205 BRG LESS GREASE	1.000 EA
XY1032A02	10-32 HEX NUT DIRECTIONAL SERRATION	4.000 EA
51XB1214A16	12-14X1.00 HXWSSLD SERTYB	1.000 EA
35FH4005A32SP	IEC FH NO GR SR W/3 HOLES - PRIMED	1.000 EA
51XW1032A06	10-32 X .38, TAPTITE II, HEX WSHR SLTD S	3.000 EA
35CB4521GX	CONDUIT BOX LID KIT	1.000 EA
51XW0832A07	8-32 X .44, TAPTITE II, HEX WSHR SLTD SE	4.000 EA
HW2501D13	KEY, 3/16 SQ X 1.375	1.000 EA
HA7000A04	KEY RETAINER 0.625 DIA SHAFTS	1.000 EA
85XU0407S04	4X1/4 U DRIVE PIN STAINLESS	2.000 EA
WD1000A15	3-520132-2 AMP FLAG (4M/RL NON-CANC/NON-	2.000 EA

Parts List (continued)		
Part Number	Description	Quantity
MJ1000A02	GREASE, POLYREX EM EXXON (USe 4824-15A)	0.050 LB
35FN3002A05	EXFN, PLASTIC, 6.376 OD, .638 ID	1.000 EA
MG1000G27	MED CHARCOAL METALLIC GREY 400-0096	0.017 GA
SP5055A67	MODEL 35 TYPE L STATIONARY SWITCH	1.000 EA
35CB4802A02SP	CAPACITOR COVER, STAMPED X	1.000 EA
35GS3001A02	GASKET, CA.COVER, 5.38 LONG .06 CS301	1.000 EA
HA3100A18	THRUBOLT 10-32 X 9.250	4.000 EA
HA4067A01	PUSH IN DRAIN FITTING (BLACK)	1.000 EA
HA4067A01	PUSH IN DRAIN FITTING (BLACK)	1.000 EA
MN416A01	TAG-INSTAL-MAINT no wire (1200/bx) 11/14	1.000 EA
LB1119N	WARNING LABEL	1.000 EA
LC0001	CONN LABEL TYPE L, 6 LEAD, DUAL VOLTS, R	1.000 EA
NP1372L	ALUM UL CSA CE CC	1.000 EA
35PA1066	PKG GRP, PRINT PK1008A06	1.000 EA

Accessories		
Part Number	Description	Multiplier
35-8762	C FACE KIT	A8
35EP1506A01SP	D-FLANGE KIT	A8

AC Induction Motor Performance Data

Record # 39283 - Typical performance - not guaranteed values

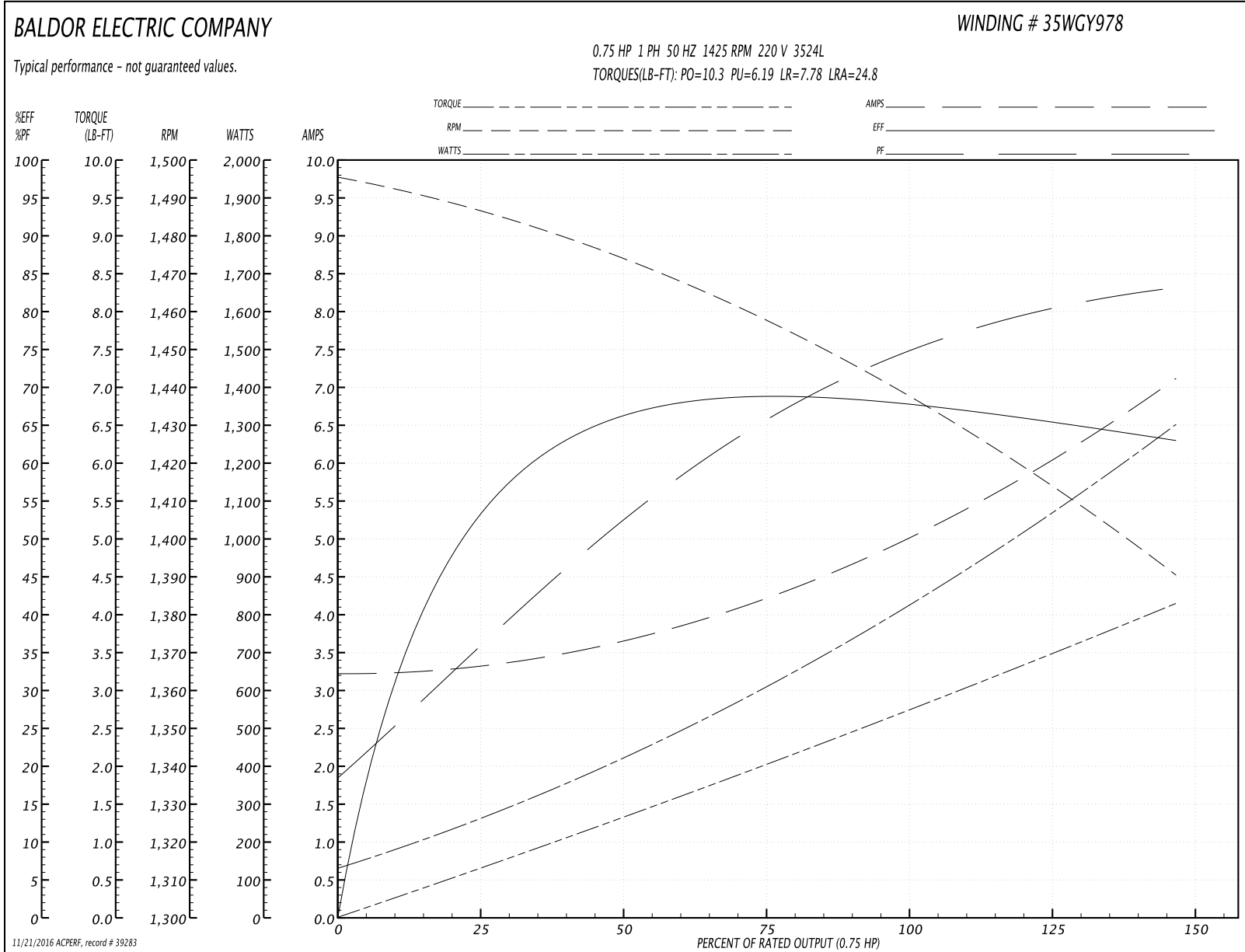
Winding: 35WGY978-R001	Type: 3524L	Enclosure: TEFC
-------------------------------	--------------------	------------------------

Nameplate Data				220 V, 50 Hz: High Voltage Connection	
Rated Output (HP)	.75			Full Load Torque	2.7 LB-FT
Volts	110/220			Start Configuration	direct on line
Full Load Amps	10/5			Breakdown Torque	10.3 LB-FT
R.P.M.	1425			Pull-up Torque	6.19 LB-FT
Hz	50	Phase	1	Locked-rotor Torque	7.78 LB-FT
NEMA Design Code	N	KVA Code	J	Starting Current	24.8 A
Service Factor (S.F.)	1.25			No-load Current	3.2 A
NEMA Nom. Eff.	66	Power Factor	76	Line-line Res. @ 25°C	3.6894 Ω A Ph 2.2413 Ω B Ph
Rating - Duty	40C AMB-CONT			Temp. Rise @ Rated Load	
S.F. Amps	12/6			Temp. Rise @ S.F. Load	

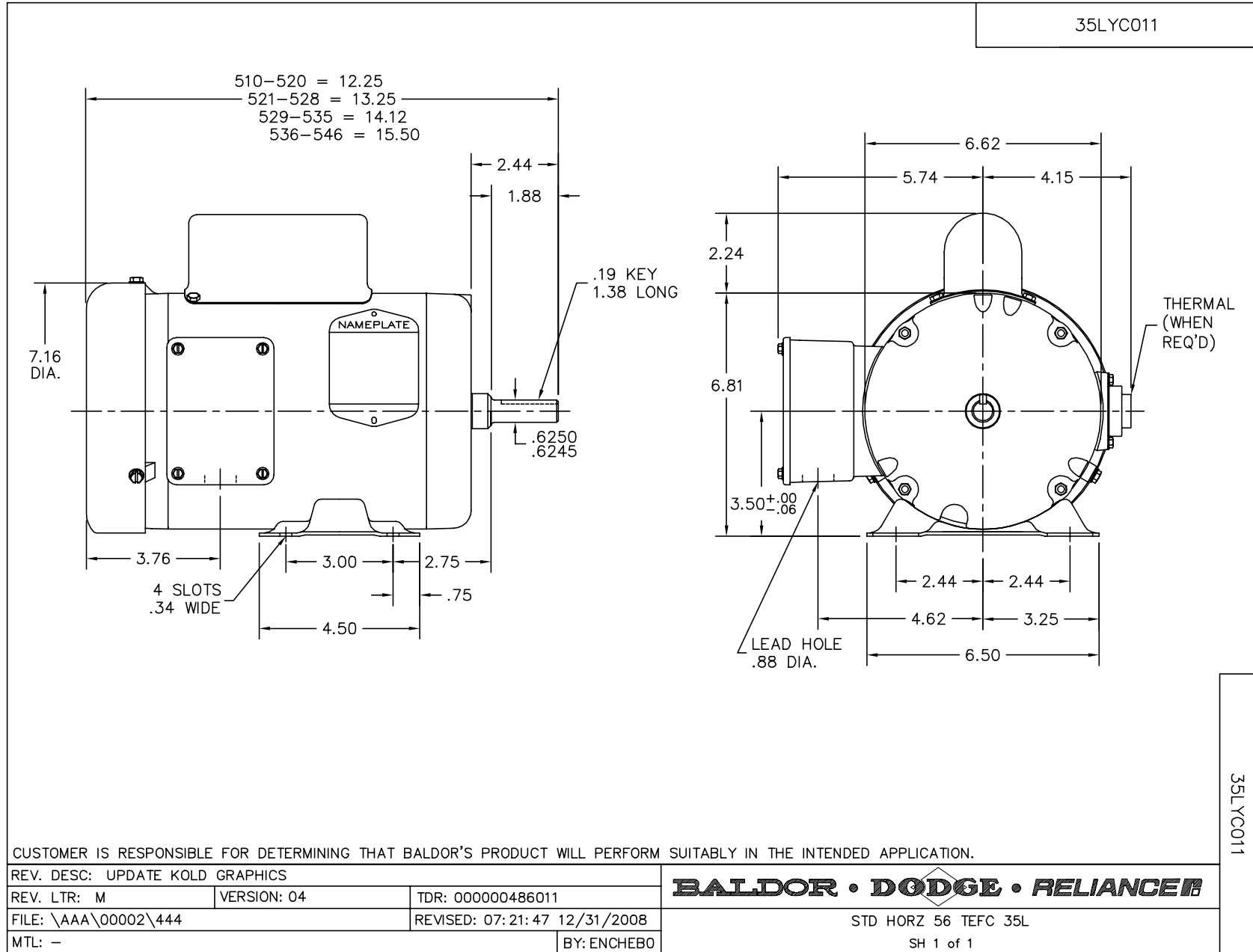
Load Characteristics 220 V, 50 Hz, 0.75 HP

% of Rated Load	25	50	75	100	125	150	S.F.
Power Factor	38	54	66	74	80	83	80
Efficiency	52.8	65.1	68.6	68.7	66.3	62.4	66.3
Speed	1484.4	1472.1	1456.5	1440.8	1416.4	1388.3	1416
Line amperes	3.35	3.69	4.26	4.94	5.98	7.16	5.98

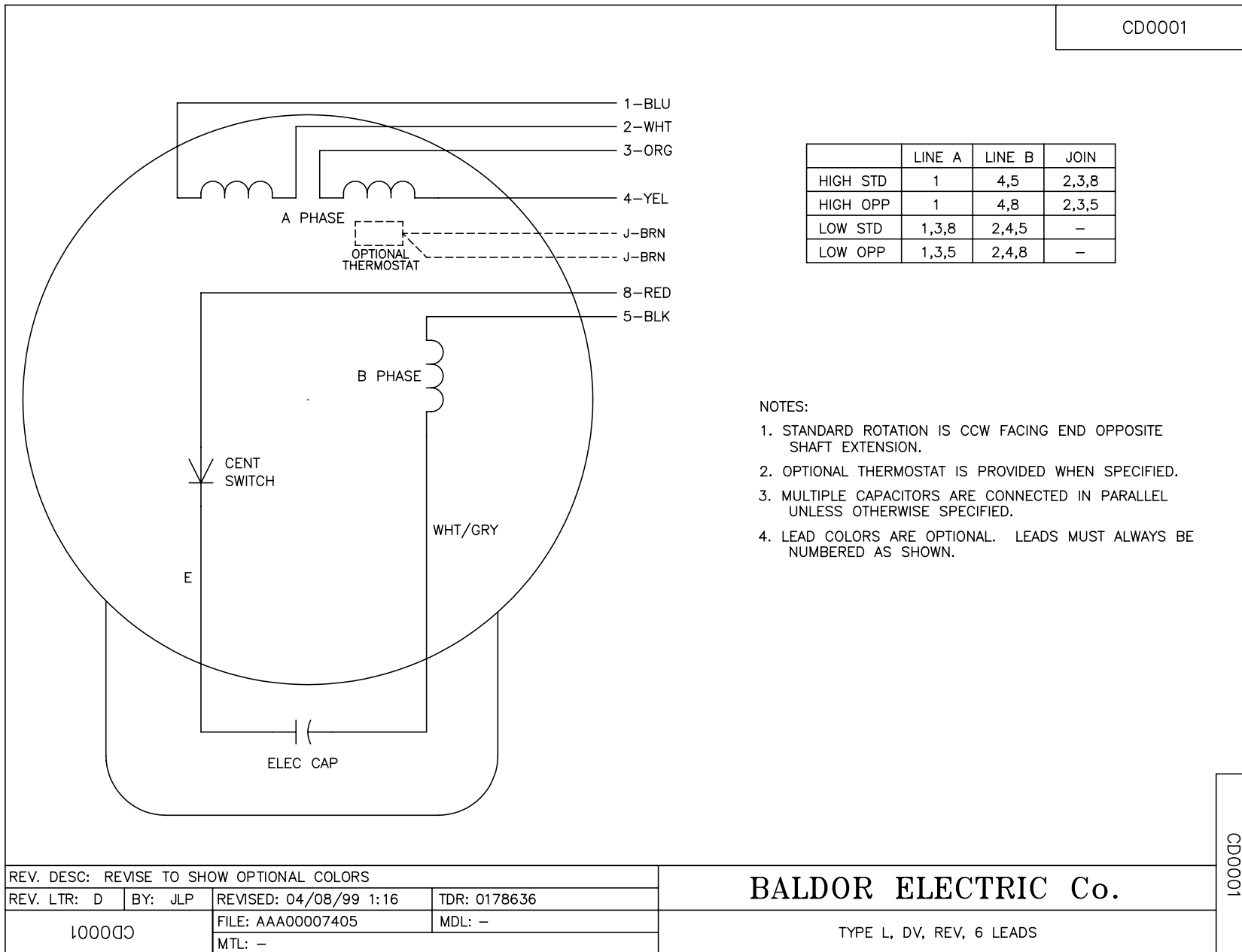
Performance Graph at 220V, 50Hz, 0.75HP Typical performance - Not guaranteed values



11/21/2016 ACPERF: record # 39283



CD0001



NOTES:

1. STANDARD ROTATION IS CCW FACING END OPPOSITE SHAFT EXTENSION.
2. OPTIONAL THERMOSTAT IS PROVIDED WHEN SPECIFIED.
3. MULTIPLE CAPACITORS ARE CONNECTED IN PARALLEL UNLESS OTHERWISE SPECIFIED.
4. LEAD COLORS ARE OPTIONAL. LEADS MUST ALWAYS BE NUMBERED AS SHOWN.

CD0001

REV. DESC: REVISE TO SHOW OPTIONAL COLORS			
REV. LTR: D	BY: JLP	REVISED: 04/08/99 1:16	TDR: 0178636
100000		FILE: AAA00007405	MDL: -
		MTL: -	

BALDOR ELECTRIC Co.

TYPE L, DV, REV, 6 LEADS