

BALDOR® • ***RELIANCE***

Product Information Packet

M3452

.17HP, 1140RPM, 3PH, 60HZ, 48, 3408M, TEFC, F1

Part Detail							
Revision:	Q	Status:	PRD/A	Change #:		Proprietary:	No
Type:	AC	Prod. Type:	3408M	Elec. Spec:	34WGW011	CD Diagram:	CD0005
Enclosure:	TEFC	Mfg Plant:		Mech. Spec:	34A051	Layout:	34LYA051
Frame:	48	Mounting:	F1	Poles:	06	Created Date:	
Base:	RG	Rotation:	R	Insulation:	B	Eff. Date:	09-21-2016
Leads:	9#18					Replaced By:	
Literature:		Elec. Diagram:					

Nameplate NP1256L										
CAT.NO.	M3452									
SPEC.	34A51W11									
HP	.17									
VOLTS	230/460									
AMP	1.1/.55									
RPM	1140									
FRAME	48				HZ	60			PH	3
SER.F.	1.35			CODE	K	DES	B		CLASS	B
NEMA-NOM-EFF	57.5			PF	49					
RATING	40C AMB-CONT									
CC									USABLE AT 208V	1.3
DE	6203				ODE	6203				
ENCL	TEFC			SN						
	SFA 1.2/.6									

Parts List		
Part Number	Description	Quantity
SA009763	SA 34A51W11	1.000 EA
RA006208	RA 34A51W11	1.000 EA
NS2512A01	INSULATOR, CONDUIT BOX X	1.000 EA
34CB3002A	CB CAST W/.88 DIA HOLE	1.000 EA
34GS1029A01	GASKET, CONDUIT BOX	1.000 EA
51XB1016A07	10-16 X 7/16 HWSSLD SERTYB	2.000 EA
11XW1032G06	10-32 X .38, TAPTITE II, HEX WSHR SLTD U	1.000 EA
34EP3102A01SP	FR ENDPLATE, MACH	1.000 EA
HW5100A03SP	WAVY WASHER (W1543-017)	1.000 EA
34EP3102A02SP	FR/PU ENDPLATE, MACH	1.000 EA
XY1032A02	10-32 HEX NUT DIRECTIONAL SERRATION	4.000 EA
34FN3002A01SP	EXTERNAL FAN, PLASTIC, .637/.639 HUB W/	1.000 EA
34FH4002A01SP	IEC FH NO GREASER PRIMED	1.000 EA
51XW1032A06	10-32 X .38, TAPTITE II, HEX WSHR SLTD S	3.000 EA
34CB4517	CB LID 4 MTG HOLES .22 DIA STAMPED, FOR	1.000 EA
34GS1031A01	GASKET, FLAT CONDUIT BOX LID (LEXIDE)	1.000 EA
51XW0832A07	8-32 X .44, TAPTITE II, HEX WSHR SLTD SE	4.000 EA
MG1000G27	MED CHARCOAL METALLIC GREY 400-0096	0.014 GA
10XF0440S02	04-40 X 1/8 TYPE F HEX HD STAINLESS STIC	2.000 EA
HA3100A12	THRUBOLT 10-32 X 7.375	4.000 EA
LC0005E01	CONN.DIA./WARNING LABEL (LC0005/LB1119N)	1.000 EA
NP1256L	ALUM UL CSA CC	1.000 EA
34PA1002	PKG GRP, PRINT PK1001A01	1.000 EA

Accessories		
Part Number	Description	Multiplier
34-3900T	C-FACE KIT	A8

AC Induction Motor Performance Data
Record # 6844 - Typical performance - not guaranteed values

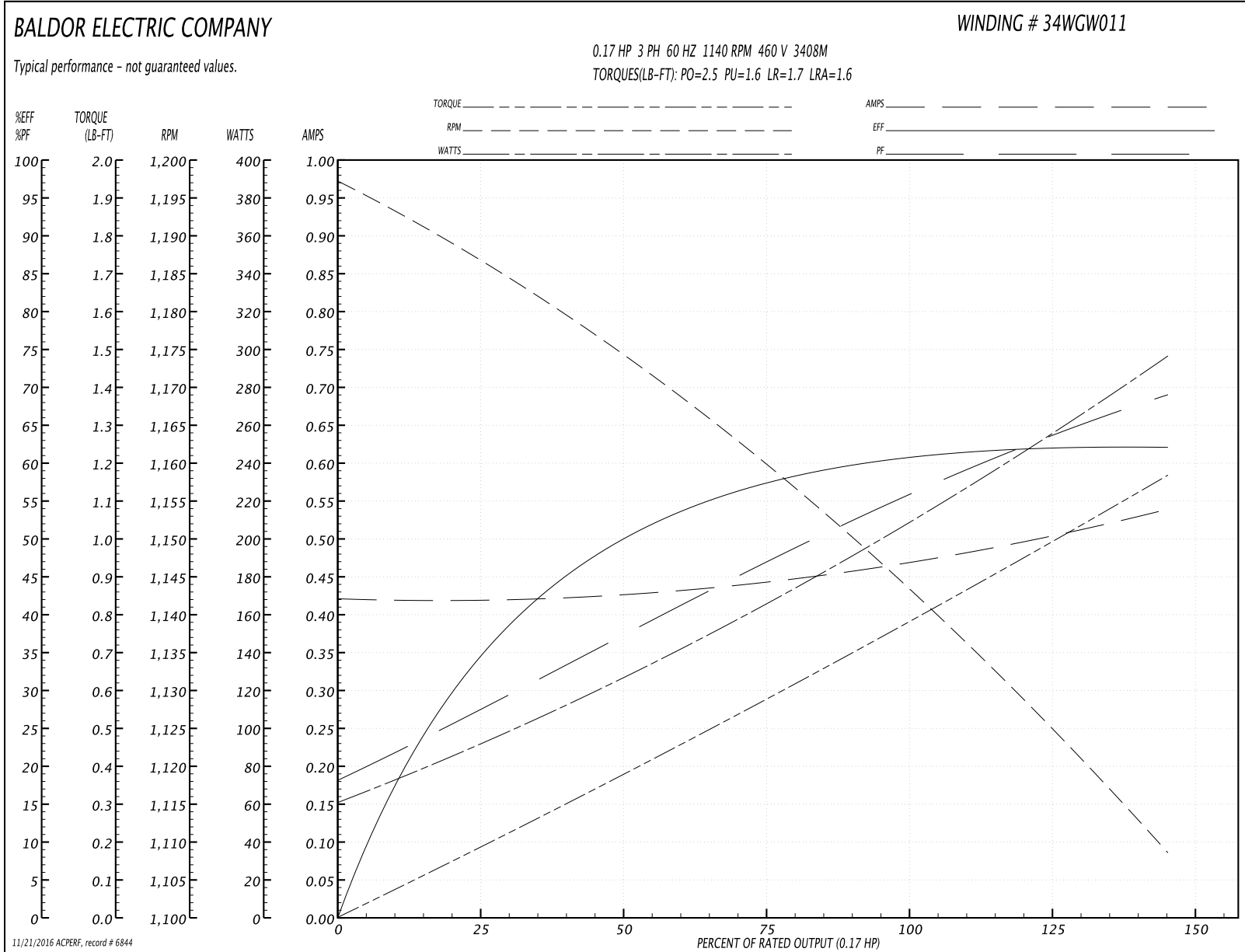
Winding: 34WGW011-R001	Type: 3408M	Enclosure: TEFC
-------------------------------	--------------------	------------------------

Nameplate Data				460 V, 60 Hz: High Voltage Connection	
Rated Output (HP)	.17			Full Load Torque	0.78 LB-FT
Volts	230/460			Start Configuration	direct on line
Full Load Amps	1.1/1.55			Breakdown Torque	2.5 LB-FT
R.P.M.	1140			Pull-up Torque	1.6 LB-FT
Hz	60	Phase	3	Locked-rotor Torque	1.7 LB-FT
NEMA Design Code	B	KVA Code	K	Starting Current	1.6 A
Service Factor (S.F.)	1.35			No-load Current	0.42 A
NEMA Nom. Eff.	57.5	Power Factor	49	Line-line Res. @ 25°C	158 Ω
Rating - Duty	40C AMB-CONT			Temp. Rise @ Rated Load	38°C
S.F. Amps	1.2/1.6			Temp. Rise @ S.F. Load	48°C

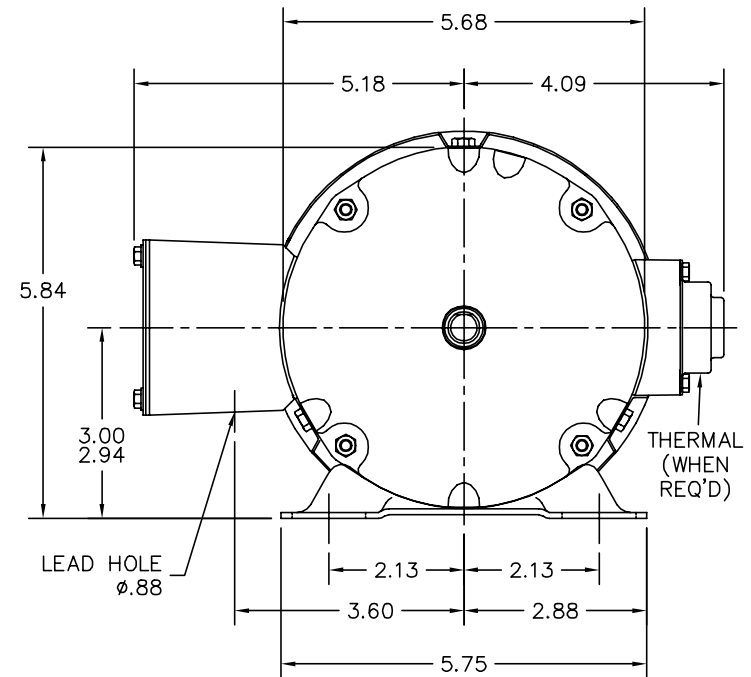
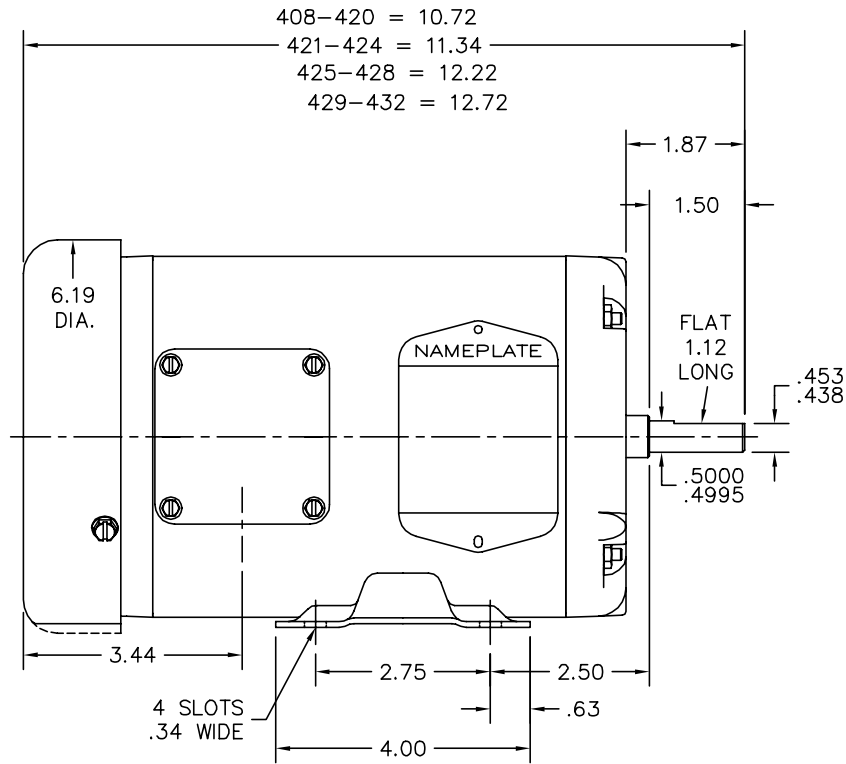
Load Characteristics 460 V, 60 Hz, 0.17 HP

% of Rated Load	25	50	75	100	125	150	S.F.
Power Factor	28	38	47	55	63	68	66
Efficiency	35	50	58	61	62	62	62.4
Speed	1185	1174	1159	1144	1127	1108	1120
Line amperes	0.42	0.43	0.44	0.47	0.5	0.54	0.51

Performance Graph at 460V, 60Hz, 0.17HP Typical performance - Not guaranteed values



34LYA051



CUSTOMER IS RESPONSIBLE FOR DETERMINING THAT BALDOR'S PRODUCT WILL PERFORM SUITABLY IN THE INTENDED APPLICATION.

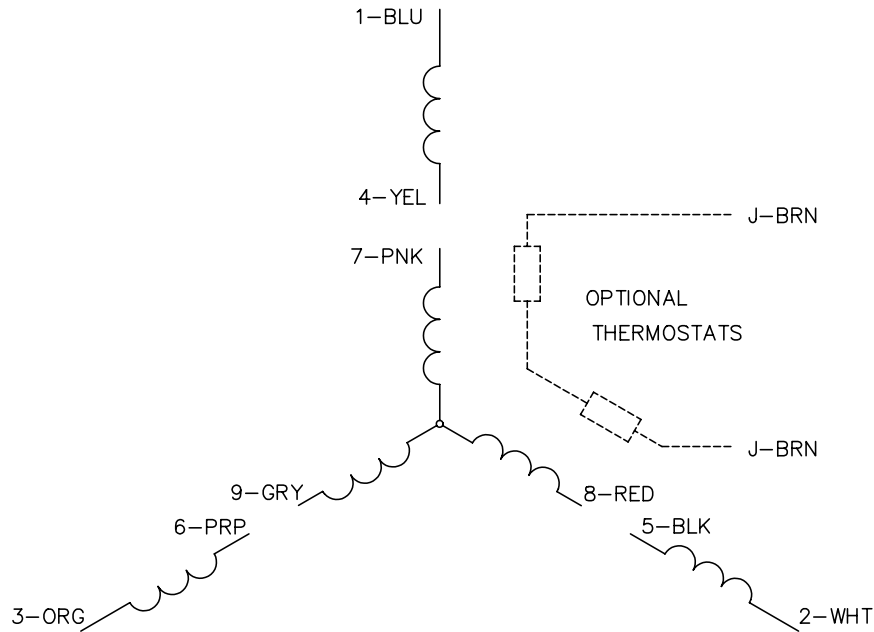
REV. DESC: CHG 34SH1174- TO 34SH1174		
REV. LTR: L	VERSION: 04	TDR: 000001004283
FILE: \AAA\00006\622	REVISED: 02: 45:12 11/09/2016	BY: ENBENBO
MTL: -	© □	

BALDOR

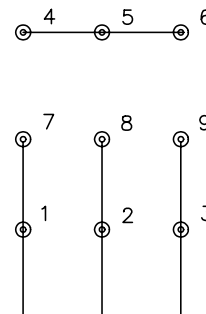
STD HORZ 34M NEMA 48 TEFC
 SH 1 of 1

34LYA051

CD0005

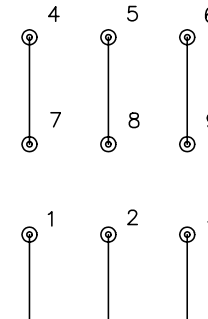


LOW VOLTAGE
(2Y)



LINE

HIGH VOLTAGE
(1Y)



LINE

NOTES:

1. INTERCHANGE ANY TWO LINE LEADS TO REVERSE ROTATION.
2. OPTIONAL THERMOSTATS ARE PROVIDED WHEN SPECIFIED.
3. ACTUAL NUMBER OF INTERNAL PARALLEL CIRCUITS MAY BE A MULTIPLE OF THOSE SHOWN ABOVE.
4. LEAD COLORS ARE OPTIONAL. LEADS MUST ALWAYS BE NUMBERED AS SHOWN.

REV. DESC: REVISE TO SHOW OPTIONAL COLORS			
REV. LTR: E	BY: JLP	REVISED: 01/19/99 10:15	TDR: 0171435
9000D		FILE: AAA00005140	MDL: -
		MTL: -	

BALDOR ELECTRIC Co.

3PH, DV, 9 LEADS

CD0005