

BALDOR® • *RELIANCE*

Product Information Packet

MPM3458

.33HP, 1425/1725RPM, 3PH, 50/60HZ, 48, 3413M

Part Detail							
Revision:	Z	Status:	PRD/A	Change #:		Proprietary:	No
Type:	AC	Prod. Type:	3413M	Elec. Spec:	34WG4822	CD Diagram:	CD0005
Enclosure:	TEFC	Mfg Plant:		Mech. Spec:	34T027	Layout:	34LYT027
Frame:	48	Mounting:	F3	Poles:	04	Created Date:	
Base:	RG	Rotation:	R	Insulation:	B	Eff. Date:	09-21-2016
Leads:	9#18					Replaced By:	
Literature:		Elec. Diagram:					

Nameplate NP1279L											
CAT.NO.	MPM3458										
SPEC.	34T27-4822										
HP	.33										
VOLTS	230/460//190/380										
AMP	1.6/.8//1.8/.9										
RPM	1725//1425										
FRAME	48				HZ	60//50			PH	3	
SER.F.	1.00				CODE	-		DES	B	CL	B
NEMA-NOM-EFF					PF						
RATING	40C AMB-CONT										
CC								USABLE AT 208V			
DE	6203				ODE	6203					
ENCL	TEFC				SN						

Parts List		
Part Number	Description	Quantity
SA007544	SA 34T27-4822	1.000 EA
RA004086	RA 34T27-4822	1.000 EA
NS2512A01	INSULATOR, CONDUIT BOX X	1.000 EA
34CB3002A	CB CAST W/.88 DIA HOLE	1.000 EA
34GS1029A01	GASKET, CONDUIT BOX	1.000 EA
51XB1016A07	10-16 X 7/16 HXWSSLD SERTYB	2.000 EA
11XW1032G06	10-32 X .38, TAPTITE II, HEX WSHR SLTD U	1.000 EA
34EP3102A01SP	FR ENDPLATE, MACH	1.000 EA
HW5100A03SP	WAVY WASHER (W1543-017)	1.000 EA
34EP3102A02SP	FR/PU ENDPLATE, MACH	1.000 EA
XY1032A02	10-32 HEX NUT DIRECTIONAL SERRATION	4.000 EA
34FN3002A01SP	EXTERNAL FAN, PLASTIC, .637/.639 HUB W/	1.000 EA
34FH4002A01SP	IEC FH NO GREASER PRIMED	1.000 EA
51XW1032A06	10-32 X .38, TAPTITE II, HEX WSHR SLTD S	3.000 EA
34CB4517	CB LID 4 MTG HOLES .22 DIA STAMPED, FOR	1.000 EA
34GS1031A01	GASKET, FLAT CONDUIT BOX LID (LEXIDE)	1.000 EA
51XW0832A07	8-32 X .44, TAPTITE II, HEX WSHR SLTD SE	4.000 EA
MG1025C02	WILKOFASST SG, 787.105, TAN	0.014 GA
10XF0440S02	04-40 X 1/8 TYPE F HEX HD STAINLESS STIC	2.000 EA
HA3100A12	THRUBOLT 10-32 X 7.375	4.000 EA
LB1119N	WARNING LABEL	1.000 EA
LC0005	CONN.DIA.,TY M,9-LD,DUAL VOLT,REVERSING	1.000 EA
NP1279L	ALUM FARM DUTY UL CSA CC	1.000 EA
34PA1002	PKG GRP, PRINT PK1001A01	1.000 EA

Accessories		
Part Number	Description	Multiplier
34-3900T	C-FACE KIT	A8

AC Induction Motor Performance Data

Record # 6749 - Typical performance - not guaranteed values

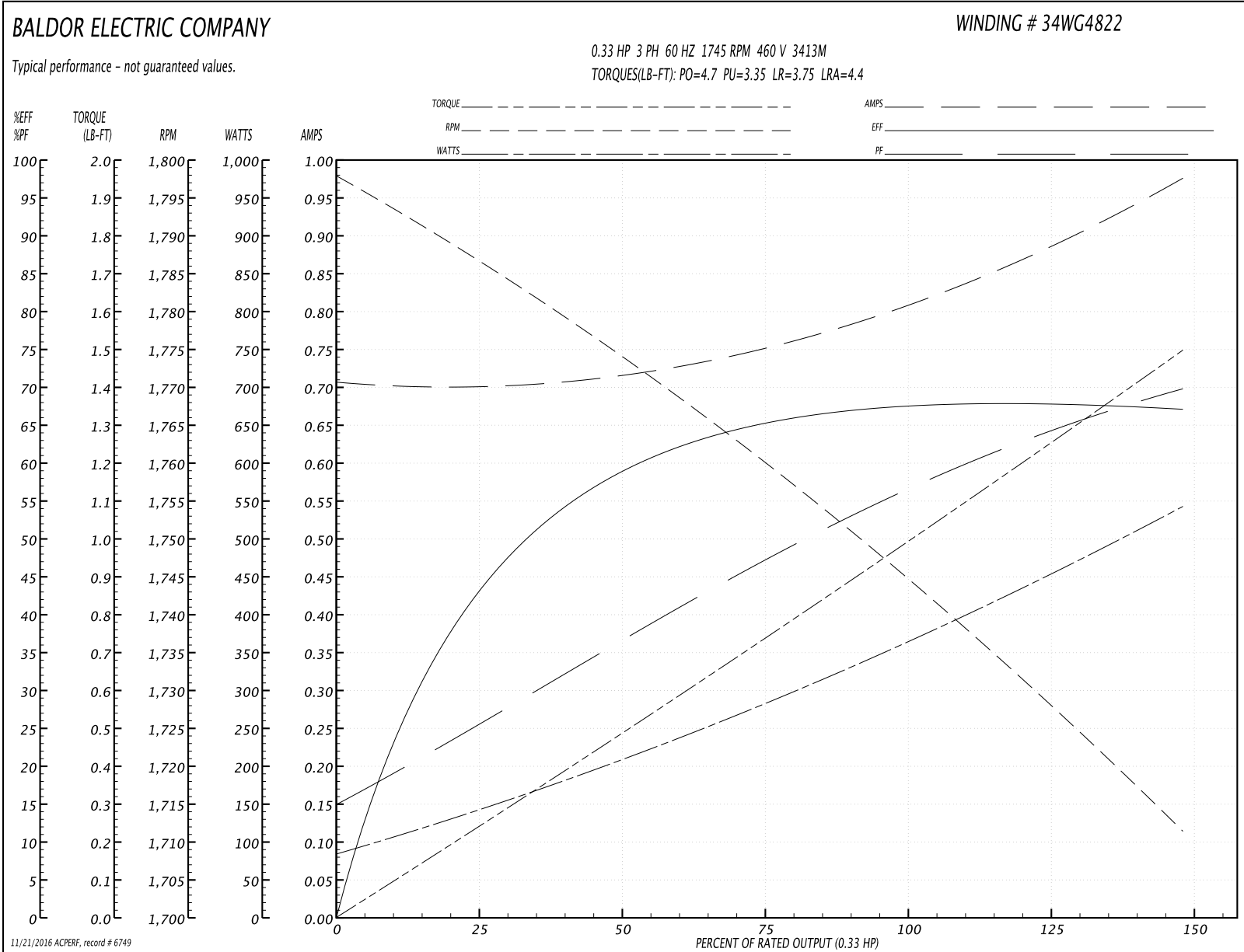
Winding: 34WG4822-R001	Type: 3413M	Enclosure: TEFC
-------------------------------	--------------------	------------------------

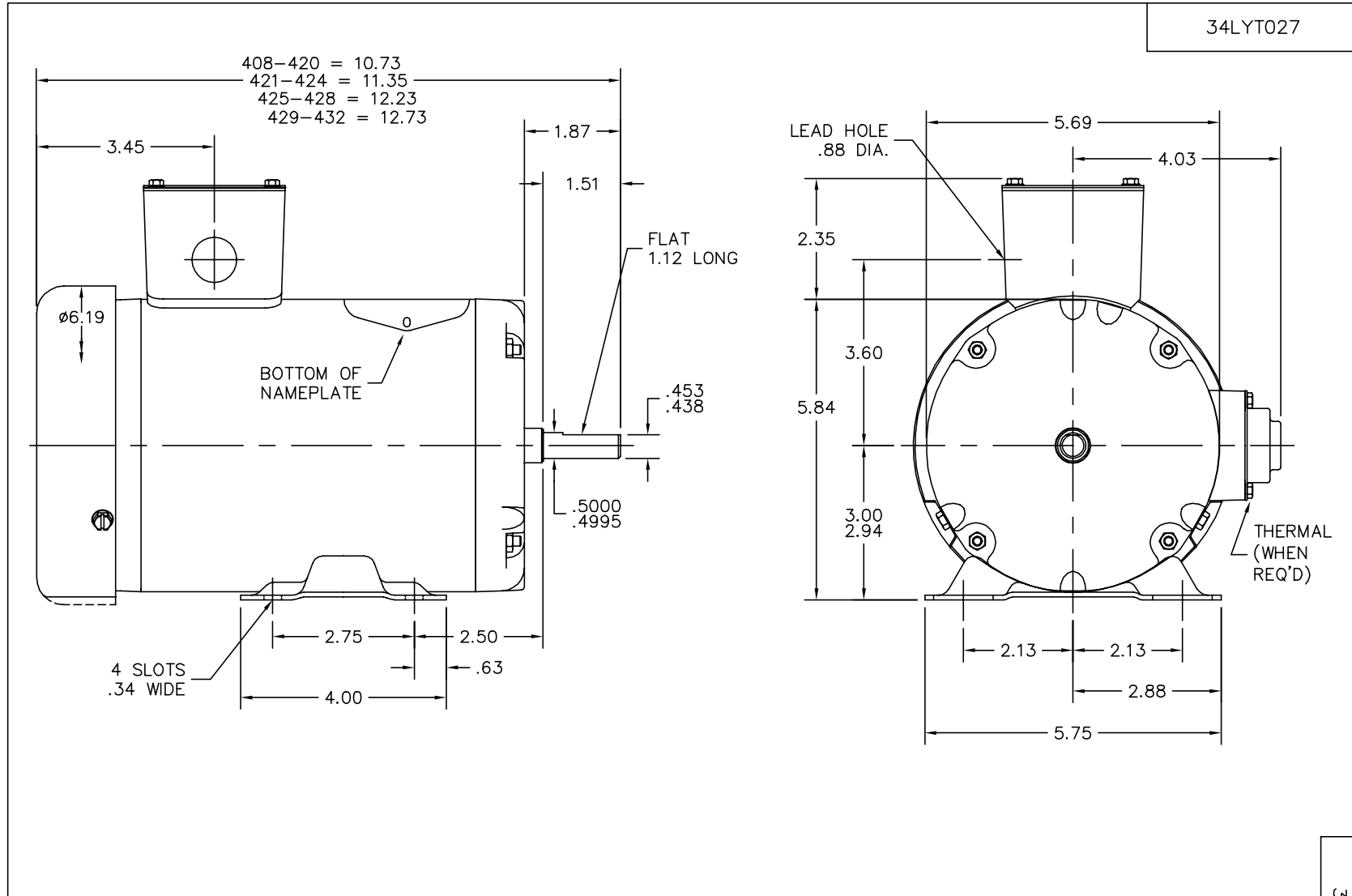
Nameplate Data				460 V, 60 Hz: High Voltage Connection	
Rated Output (HP)	.33			Full Load Torque	1 LB-FT
Volts	230/460//190/380			Start Configuration	direct on line
Full Load Amps	1.6/.8//1.8/.9			Breakdown Torque	4.7 LB-FT
R.P.M.	1725//1425			Pull-up Torque	3.35 LB-FT
Hz	60//50	Phase	3	Locked-rotor Torque	3.75 LB-FT
NEMA Design Code	B	KVA Code	-	Starting Current	4.4 A
Service Factor (S.F.)	1			No-load Current	0.7 A
NEMA Nom. Eff.	0	Power Factor	0	Line-line Res. @ 25°C	49.1 Ω
Rating - Duty	40C AMB-CONT			Temp. Rise @ Rated Load	47°C

Load Characteristics 460 V, 60 Hz, 0.33 HP

% of Rated Load	25	50	75	100	125	150	S.F.
Power Factor	28	40	50	57	64	69	66
Efficiency	44	59	65	68	68	67	68
Speed	1788	1770	1760	1745	1730	1710	1725
Line amperes	0.7	0.73	0.77	0.8	0.85	1	0.9

Performance Graph at 460V, 60Hz, 0.33HP Typical performance - Not guaranteed values





34LYT027

CUSTOMER IS RESPONSIBLE FOR DETERMINING THAT MOTOR PERFORMANCE IS SUITABLE IN THE APPLICATION.

REV. DESC: UPDATED BASE & KOBX		
REV. LTR: C	VERSION: 01	TDR: 000000412776
34LYT027	FILE: \AAA\00031\105	REVISED: 08:51:29 11/03/2006
	MTL: -	BY: ENYOADO

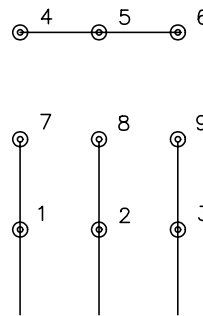
BALDOR ELECTRIC Co.
HORZ 34M NEMA 48 TEFC W/K.O. BOX © 12:00

34LYT027

CD0005



LOW VOLTAGE
(2Y)



LINE

HIGH VOLTAGE
(1Y)



LINE

NOTES:

1. INTERCHANGE ANY TWO LINE LEADS TO REVERSE ROTATION.
2. OPTIONAL THERMOSTATS ARE PROVIDED WHEN SPECIFIED.
3. ACTUAL NUMBER OF INTERNAL PARALLEL CIRCUITS MAY BE A MULTIPLE OF THOSE SHOWN ABOVE.
4. LEAD COLORS ARE OPTIONAL. LEADS MUST ALWAYS BE NUMBERED AS SHOWN.

REV. DESC: REVISE TO SHOW OPTIONAL COLORS			
REV. LTR: E	BY: JLP	REVISED: 01/19/99 10:15	TDR: 0171435
9000D		FILE: AAA00005140	MDL: -
		MTL: -	

BALDOR ELECTRIC Co.

3PH, DV, 9 LEADS

CD0005