

# **BALDOR® • RELIANCE**

## **Product Information Packet**

# **UCLE153**

**1.5-3HP,3450RPM,1PH,60HZ,145TZ,3532LC,TE**

Part Detail							
Revision:	D	Status:	PRD/A	Change #:		Proprietary:	No
Type:	AC	Prod. Type:	3532LC	Elec. Spec:	35WGT138	CD Diagram:	CD0017A02
Enclosure:	TEAO	Mfg Plant:		Mech. Spec:	35E2504	Layout:	35LYE2504
Frame:	145TZ	Mounting:	F1	Poles:	02	Created Date:	03-05-2014
Base:	RG	Rotation:	R	Insulation:	F	Eff. Date:	08-31-2016
Leads:	2#14 A PH,2#18 B PH					Replaced By:	
Literature:		Elec. Diagram:					

Nameplate NP1279L												
CAT.NO.	UCLE153											
SPEC.	35E2504T138G1											
HP	1.5-3											
VOLTS	230											
AMP	12.5											
RPM	3450											
FRAME	145TZ					HZ	60			PH	1	
SER.F.	1.15					CODE	G		DES	L	CL	F
NEMA-NOM-EFF	78					PF	95					
RATING	40C AMB-CONT											
CC										USABLE AT 208V	13.7	
DE	6206					ODE	6203					
ENCL	TEAO					SN						

<b>Nameplate NP1263L</b>	
<b>CAT.NO.</b>	UCLE153
<b>SPEC.</b>	35E2504T138G1
<b>HP</b>	1.5-3
<b>VOLTS</b>	230
<b>AMP</b>	12.5
<b>RPM</b>	3450
<b>FRAME</b>	145TZ
<b>SER.F.</b>	1.15
<b>NEMA-NOM-EFF</b>	78
<b>RATING</b>	40C AMB-CONT
<b>CC</b>	USABLE AT 208V 13.7
<b>DE</b>	6206
<b>ENCL</b>	TEAO
<b>ODE</b>	6203
<b>SN</b>	
<b>CODE</b>	G
<b>DES</b>	L
<b>CL</b>	F
<b>PF</b>	95
<b>HZ</b>	60
<b>PH</b>	1

Parts List		
Part Number	Description	Quantity
SA277559	SA 35E2504T138G1	1.000 EA
RA264109	RA 35E2504T138G1	1.000 EA
OC3035F09SP	CYL OIL CAP 35MFD/370V	1.000 EA
EC1216C06SP	ELEC CAP, 216-259 MFD, 250V, 2.06D X 4.	1.000 EA
WD3006A01	RSS-2-103JT 2W 10K RES. METAL OXIDE 5%	1.000 EA
HA6021A01SP	ADAPTOR, MACH	1.000 EA
36GS5000	GASKET CONDUIT ADAPTOR	1.000 EA
51XB1016A08	10-16X 1/2HXWSSLD SERTYB	2.000 EA
11XW1032G06	10-32 X .38, TAPTITE II, HEX WSHR SLTD U	1.000 EA
35EP3100M69	STD FR EP-TENV-35L OR M--203 BRG	1.000 EA
51XW0832A07	8-32 X .44, TAPTITE II, HEX WSHR SLTD SE	2.000 EA
NS2501A01	INSULATOR, CAPACITOR	2.000 EA
35CB4802A02SP	CAPACITOR COVER, STAMPED X	2.000 EA
35GS3001A02	GASKET, CA.COVER, 5.38 LONG .06 CS301	2.000 EA
51XB1016A05	10-16X5/16HX WA SL SR TYB (F/S)	4.000 EA
HW5100A03SP	WAVY WASHER (W1543-017)	1.000 EA
10XN2520A24	1/4-20X 1 1/2 HEX HD X	2.000 EA
HW1001A25	LOCKWASHER 1/4, ZINC PLT .493 OD, .255 I	2.000 EA
35EP3113B06	PU EP ENCL,06 BRG, SEAL, W/O GREASER	1.000 EA
HW4600B50SP	SEAL 1.156 X 1.874 X 0.250 SINGLE LIP DB	1.000 EA
HW4600B36SP	V-RING SLINGER 1.188 X 1.690 X .24 VITON	1.000 EA
XY1032A02	10-32 HEX NUT DIRECTIONAL SERRATION	4.000 EA
HW2501D13	KEY, 3/16 SQ X 1.375	1.000 EA
HA7000A01	KEY RETAINER 7/8" DIA SHAFT	1.000 EA

<b>Parts List (continued)</b>		
<b>Part Number</b>	<b>Description</b>	<b>Quantity</b>
85XU0407S04	4X1/4 U DRIVE PIN STAINLESS	2.000 EA
ML1400DF14	14 AWG,BLANK,GREEN w/YELLOW STRIPE	36.000 IN
WD1000H04	HOLL#R4161SFT,INSL.RING,16-14 GA,#10 STU	1.000 EA
WD1000A15	3-520132-2 AMP FLAG (4M/RL NON-CANC/NON-	2.000 EA
MG1025C02	WILKOFASST SG, 787.105, TAN	0.017 GA
SP5181A12	MODEL 35 LC TORQ STAT SWITCH LEAD ASSY	1.000 EA
HA3100A24	THRUBOLT 10-32 X 10.625	4.000 EA
LB1119N	WARNING LABEL	1.000 EA
LC0017	CONN LABEL-1 PHASE-SINGLE VOLT-REV ROTNO	1.000 EA
MN416A01	TAG-INSTAL-MAINT no wire (1200/bx) 11/14	1.000 EA
NP1279L	ALUM FARM DUTY UL CSA CC	1.000 EA
NP1263L	AUX, GP, ALUM, CC, LASER ETCHED	1.000 EA
36PA1000	PKG GRP, PRINT PK1016A06	1.000 EA

<b>Accessories</b>		
<b>Part Number</b>	<b>Description</b>	<b>Multiplier</b>
35-1325	C FACE KIT	A8

**AC Induction Motor Performance Data**

Record # 55935 - Typical performance - not guaranteed values

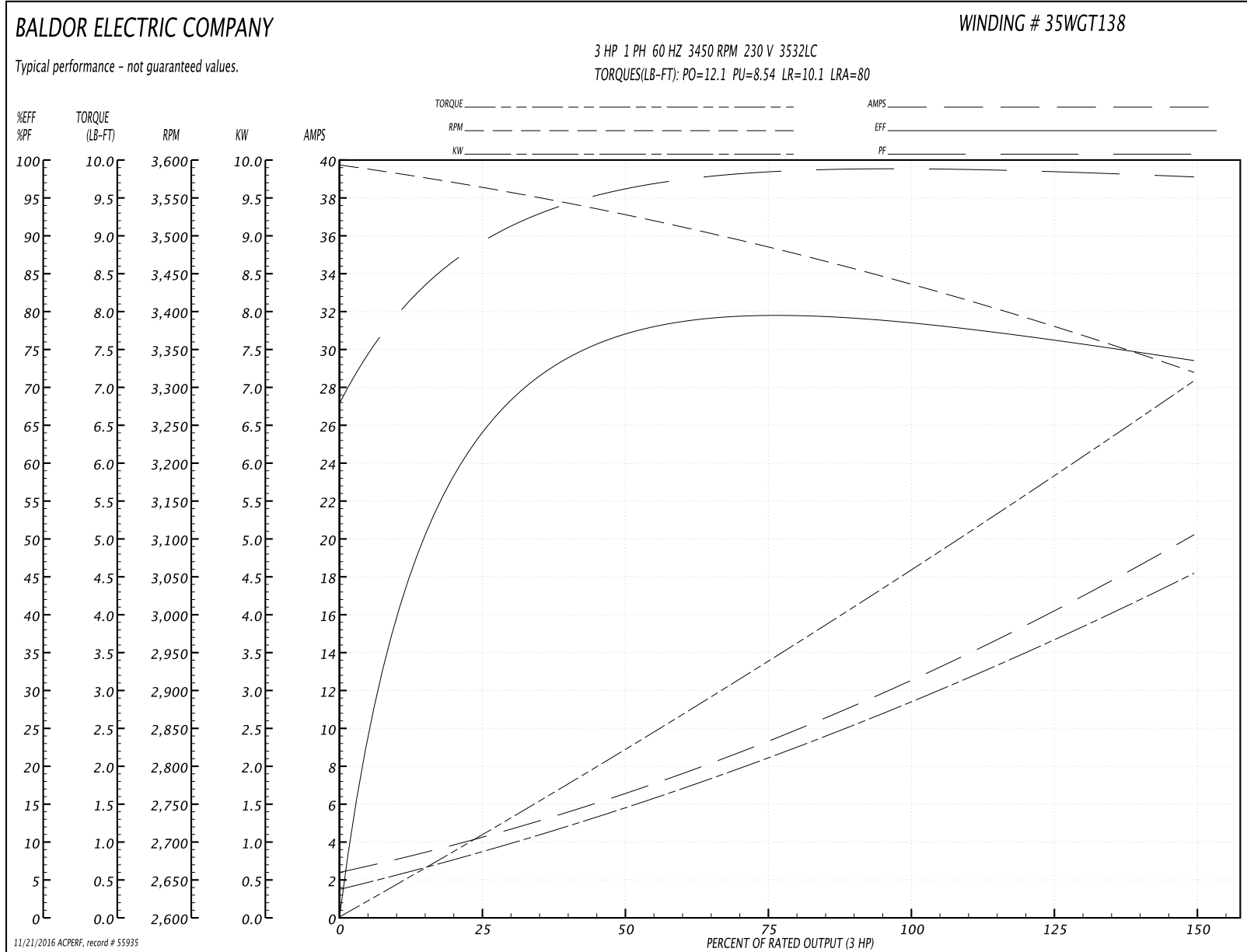
<b>Winding:</b> 35WGT138-R005	<b>Type:</b> 3532LC	<b>Enclosure:</b> TEAO
-------------------------------	---------------------	------------------------

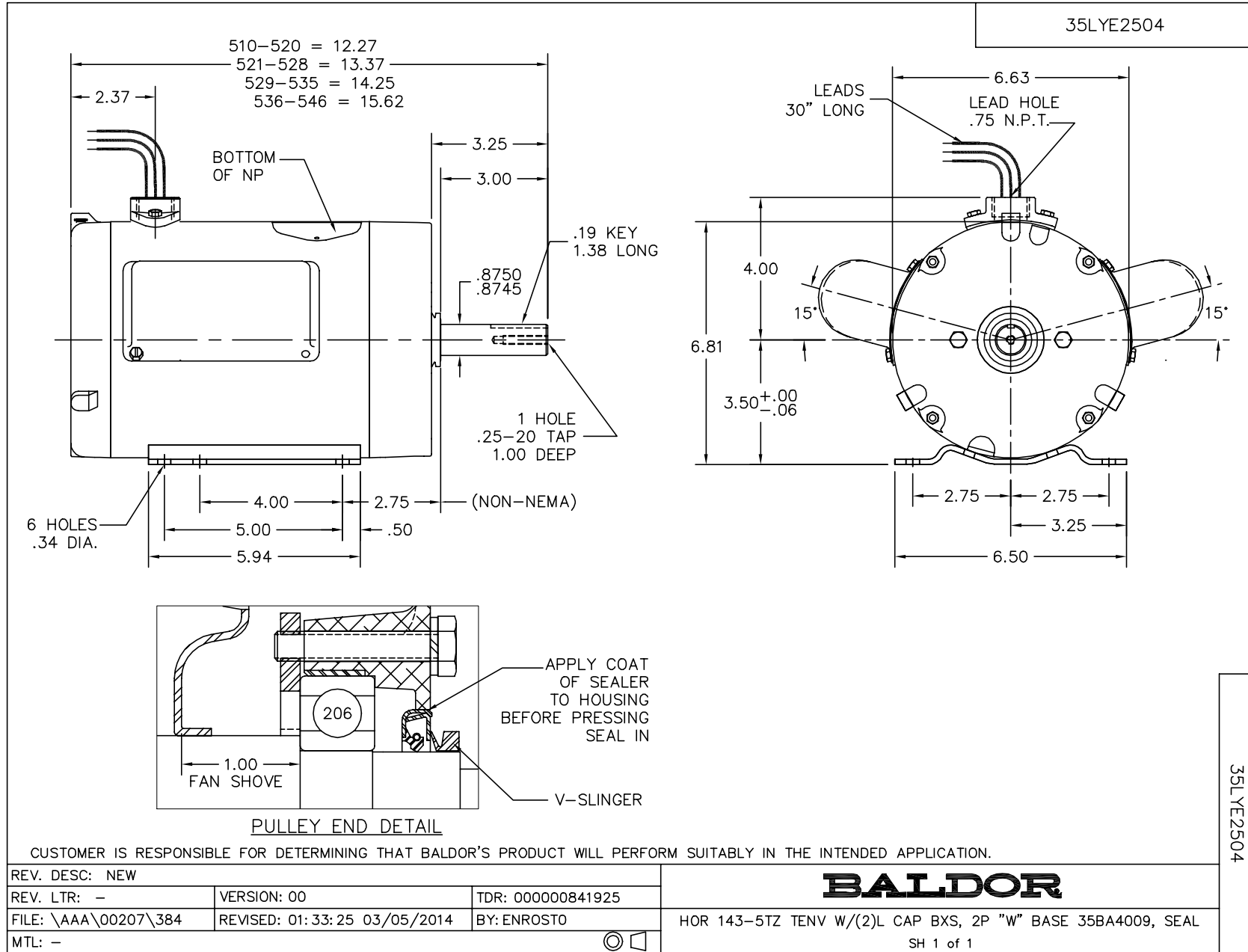
Nameplate Data				230 V, 60 Hz: Single Voltage Motor	
Rated Output (HP)	1.5-3			Full Load Torque	4.54 LB-FT
Volts	230			Start Configuration	direct on line
Full Load Amps	12.5			Breakdown Torque	12.1 LB-FT
R.P.M.	3450			Pull-up Torque	8.54 LB-FT
Hz	60	Phase	1	Locked-rotor Torque	10.1 LB-FT
NEMA Design Code	L	KVA Code	G	Starting Current	80 A
Service Factor (S.F.)	1.15			No-load Current	2.36 A
NEMA Nom. Eff.	78	Power Factor	95	Line-line Res. @ 25°C	0.80752 Ω A Ph 1.4854 Ω B Ph
Rating - Duty	40C AMB-CONT			Temp. Rise @ Rated Load	

Load Characteristics 230 V, 60 Hz, 3 HP

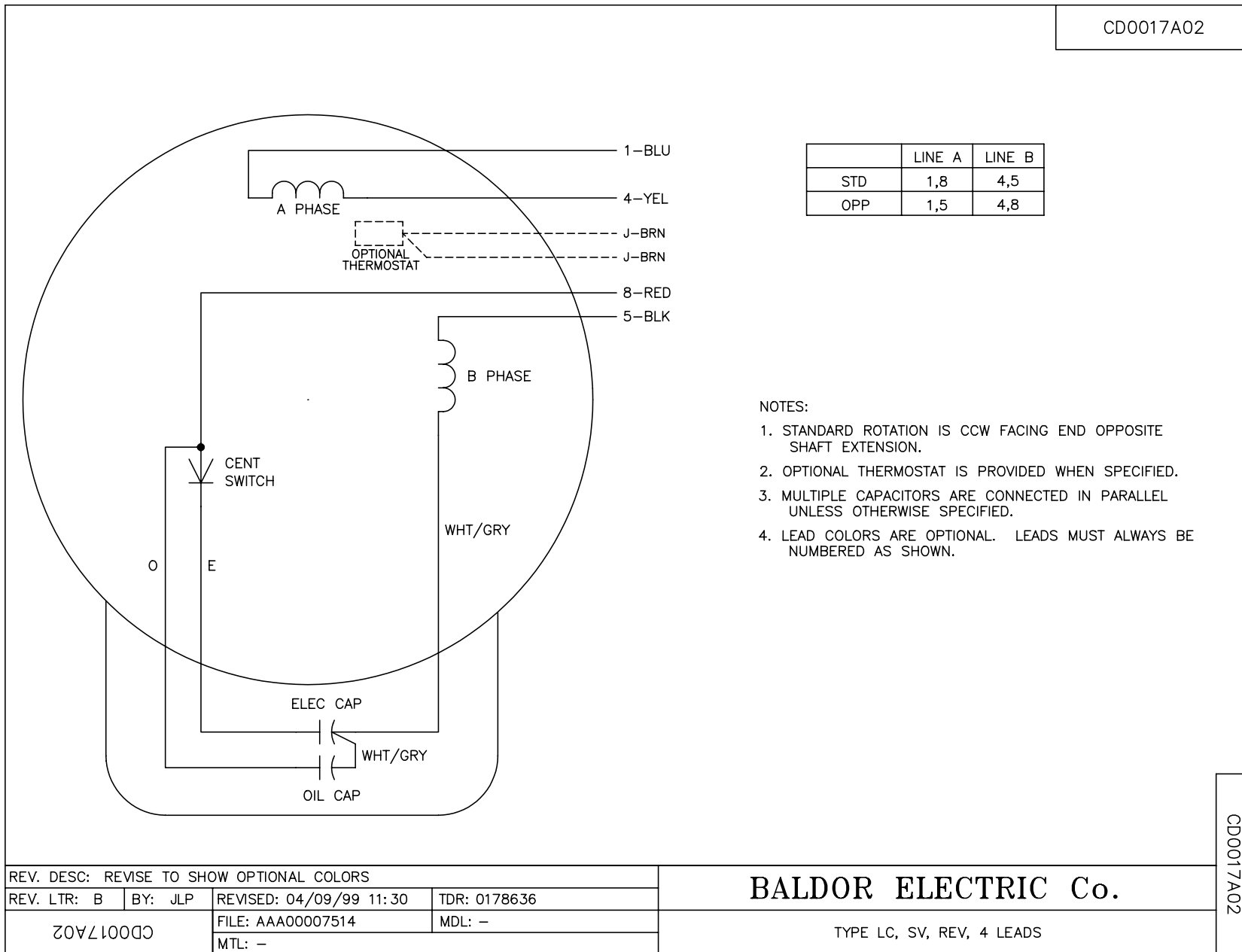
% of Rated Load	25	50	75	100	125	150	S.F.
Power Factor	91	97	98	98	98	98	98
Efficiency	62.1	75.7	79.6	79.1	77	73.1	77.8
Speed	3556.5	3524.6	3486.3	3442.2	3384.1	3316.4	3407
Line amperes	4.28	6.66	9.37	12.4	16	20.3	14.6

Performance Graph at 230V, 60Hz, 3.0HP Typical performance - Not guaranteed values





CD0017A02



	LINE A	LINE B
STD	1,8	4,5
OPP	1,5	4,8

NOTES:

1. STANDARD ROTATION IS CCW FACING END OPPOSITE SHAFT EXTENSION.
2. OPTIONAL THERMOSTAT IS PROVIDED WHEN SPECIFIED.
3. MULTIPLE CAPACITORS ARE CONNECTED IN PARALLEL UNLESS OTHERWISE SPECIFIED.
4. LEAD COLORS ARE OPTIONAL. LEADS MUST ALWAYS BE NUMBERED AS SHOWN.

REV. DESC: REVISE TO SHOW OPTIONAL COLORS			
REV. LTR: B	BY: JLP	REVISED: 04/09/99 11:30	TDR: 0178636
CD0017A02		FILE: AAA00007514	MDL: -
		MTL: -	

**BALDOR ELECTRIC Co.**

TYPE LC, SV, REV, 4 LEADS

CD0017A02