

BALDOR® • RELIANCE

Product Information Packet

VEM7044T-I

5 55C AMB @ 1.0SFHP,1750 75C RISERPM,3

Part Detail							
Revision:	A	Status:	PRD/A	Change #:		Proprietary:	No
Type:	AC	Prod. Type:	3643M	Elec. Spec:	36WGT031	CD Diagram:	CD0005
Enclosure:	XPFC	Mfg Plant:		Mech. Spec:	36M654	Layout:	36LYM654
Frame:	184TC	Mounting:	F1	Poles:	04	Created Date:	10-12-2015
Base:	N	Rotation:	R	Insulation:	F	Eff. Date:	08-16-2016
Leads:	9#16					Replaced By:	
Literature:		Elec. Diagram:					

Nameplate NP0977XPSLEV			
NO.		CC	010A
SER.		TEMP CODE	T3C
SPEC.	36M654T031G3		
CAT.NO.	VEM7044T-I		
HP	5/3 55C AMB @ 1.0SF		
VOLTS	230/460//190/380		
AMPS	13/6.5//10.4/5.2		
RPM	1750//1450 75C RISE	MOTOR WEIGHT	115
HERTZ	60//50	PH	3
SER.F.	1.15	CL	F
FRAME	184TC	DE BRG	6206
RATING	40C AMB-CONT	ODE BRG	6205
USABLE AT 208V	13.6	GREASE	POLYREX EM
	NEMA MG-1 PT 5,IP55	NEMA-NOM-EFF	89.5
		PF	80

Parts List		
Part Number	Description	Quantity
SA308925	SA 36M654T031G3	1.000 EA
RA296262	RA 36M654T031G3	1.000 EA
37CB1005A02	CONDUIT BOX-MACH-EXPL.PROOF-GROUP "C"MTR	1.000 EA
11XW1032G06	10-32 X .38, TAPTITE II, HEX WSHR SLTD U	1.000 EA
HW3001B01	BRASS CUP WASHER, FOR #8 SCREW	1.000 EA
06EP1709A19	FREP XPFC DRAIN, GROUP C (8.38 DIA. BC)	1.000 EA
HW4506A02	BREATHER/DRAIN-EXP PROOF-.125-27 NPTF AI	1.000 EA
HW3022E05	.125 DIA X .500 ROLLED SPRING PIN	1.000 EA
HW5100A05	WVY WSHR F/205 & 304 BRGS	1.000 EA
36EP1703A17	PUEP - GROUP C & E, DRAIN (HW4506A02)	1.000 EA
HA2009A81	SLINGER FOR GROUP E MTRS - 06 BRG.	1.000 EA
80XN0632J06	SET SCREW, 6-32 X 3/8", HEX SOCKET, AS	2.000 EA
51XN1032A20	10-32 X 1 1/4 HX WS SL SR	2.000 EA
HW4506A02	BREATHER/DRAIN-EXP PROOF-.125-27 NPTF AI	1.000 EA
HW3022E05	.125 DIA X .500 ROLLED SPRING PIN	1.000 EA
HW1001A10	WASHER, #10 SPLT LK, ZN X	2.000 EA
HW4001A01	1/4 HX SOC PIPE PLG (F/S) ALLOY STEEL W/	2.000 EA
60XN1032A07	10-32 X 1/2 TRUSS HEAD, TORX SERRATED ZN	2.000 EA
51XB1214A16	12-14X1.00 HXWSSLD SERTYB	1.000 EA
36FH2000A01	FAN COVER MACH	1.000 EA
51XW1032A08	10/32X1/2 HXWSHR HD, SL, SERATED	4.000 EA
37CB1502A01	CONDUIT BOX LID-MACH-EXPL.PROOF-GROUP "C	1.000 EA
RM1020A42	O-RING, -154 BUNA-N, .103 CS X 3.737 ID	1.000 EA
HW2501E16	3KEY, 1/4 SQ X 1.750	1.000 EA

Parts List (continued)		
Part Number	Description	Quantity
HA7000A02	KEY RETAINER RING, 1 1/8 DIA, 1 3/8 DIA	1.000 EA
85XU0407S04	4X1/4 U DRIVE PIN STAINLESS	6.000 EA
LB1359F	ALUM XP CAUTION LABEL	1.000 EA
LB9002A50	CMC-5000 BRADY WIRE MARK	1.000 EA
MJ1000A02	GREASE, POLYREX EM EXXON (USe 4824-15A)	0.050 LB
36FN3000A01SP	EXFN, PLASTIC, 7.00 OD, .912 ID	1.000 EA
MG1025G29	WILKOFASST, 789.229, DARK CHARCOAL GRAY	0.022 GA
HA3105A18	THRUBOLT- 3/8-16 X 13.375 X	4.000 EA
LB1119N	WARNING LABEL	1.000 EA
LC0145B01	CONNECTION LABEL	1.000 EA
NP0977XPSLEV	SS XP UL CSA-EEV CC CL-I GP-C&D	1.000 EA
G0PA1000	PKG GRP, PRINT PK1026A06	1.000 EA
PK3082	STYROFOAM CRADLE	1.000 EA
MN416A01	TAG-INSTAL-MAINT no wire (1200/bx) 11/14	1.000 EA

AC Induction Motor Performance Data

Record # 32376 - Typical performance - not guaranteed values

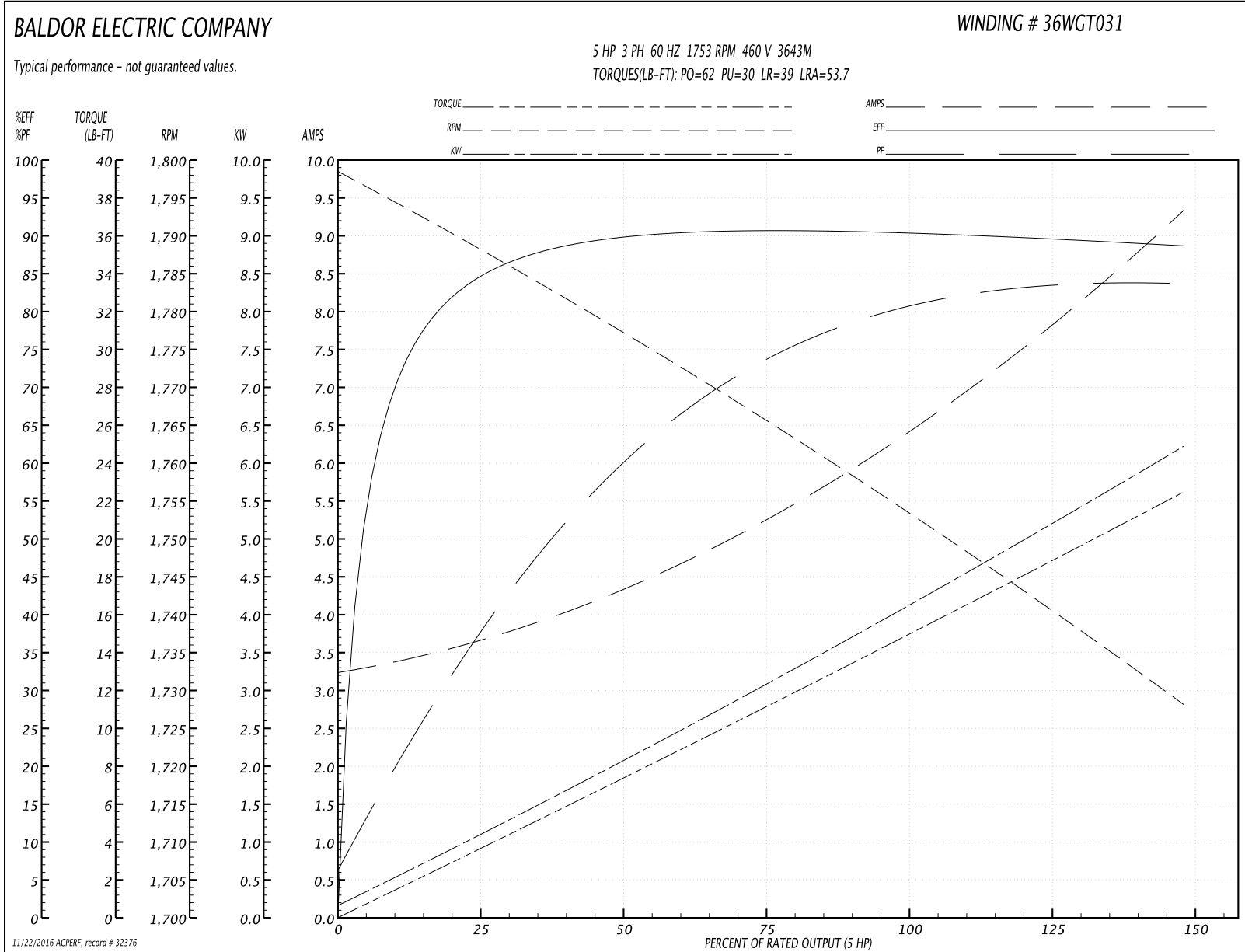
Winding: 36WGT031-R071	Type: 3643M	Enclosure: XPFC
-------------------------------	--------------------	------------------------

Nameplate Data				460 V, 60 Hz: High Voltage Connection	
Rated Output (HP)	5//3			Full Load Torque	15 LB-FT
Volts	230/460//190/380			Start Configuration	direct on line
Full Load Amps	13/6.5//10.4/5.2			Breakdown Torque	62 LB-FT
R.P.M.	1750//1450			Pull-up Torque	30 LB-FT
Hz	60//50	Phase	3	Locked-rotor Torque	39 LB-FT
NEMA Design Code	B	KVA Code	K	Starting Current	53.7 A
Service Factor (S.F.)	1.15			No-load Current	3.3 A
NEMA Nom. Eff.	89.5	Power Factor	80	Line-line Res. @ 25°C	2.13 Ω
Rating - Duty	40C AMB-CONT			Temp. Rise @ Rated Load	60°C
S.F. Amps				Temp. Rise @ S.F. Load	72°C
				Locked-rotor Power Factor	52
				Rotor inertia	0.4 LB-FT ²

Load Characteristics 460 V, 60 Hz, 5 HP

% of Rated Load	25	50	75	100	125	150	S.F.
Power Factor	40	62	74	80	84	86	82
Efficiency	84.7	89.7	90.7	90.4	89.7	88.6	90
Speed	1787	1777	1766	1753	1741	1728	1746
Line amperes	3.6	4.3	5.3	6.5	7.8	9.3	7.3

Performance Graph at 460V, 60Hz, 5.0HP Typical performance - Not guaranteed values



AC Induction Motor Performance Data

Record # 38923 - Typical performance - not guaranteed values

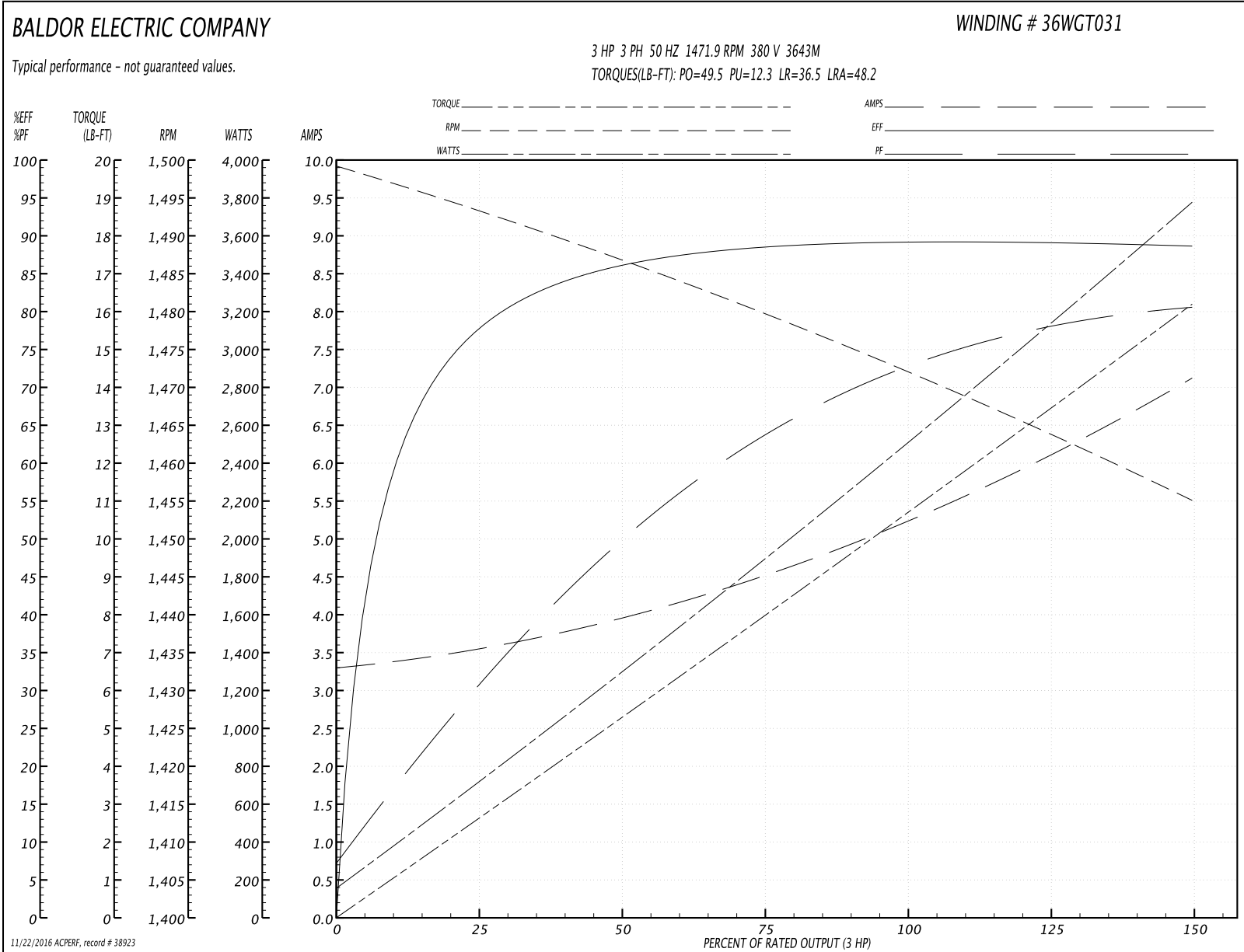
Winding: 36WGT031-R071	Type: 3643M	Enclosure: XPFC
-------------------------------	--------------------	------------------------

Nameplate Data				380 V, 50 Hz: High Voltage Connection	
Rated Output (HP)	5//3			Full Load Torque	10.7 LB-FT
Volts	230/460//190/380			Start Configuration	direct on line
Full Load Amps	13/6.5//10.4/5.2			Breakdown Torque	49.5 LB-FT
R.P.M.	1750//1450			Pull-up Torque	12.3 LB-FT
Hz	60//50	Phase	3	Locked-rotor Torque	36.5 LB-FT
NEMA Design Code	B	KVA Code	K	Starting Current	48.2 A
Service Factor (S.F.)	1.15			No-load Current	3.34 A
NEMA Nom. Eff.	89.5	Power Factor	80	Line-line Res. @ 25°C	2.2945 Ω
Rating - Duty	40C AMB-CONT			Temp. Rise @ Rated Load	39°C
S.F. Amps				Temp. Rise @ S.F. Load	45°C
				Locked-rotor Power Factor	57
				Rotor inertia	0.4 LB-FT ²

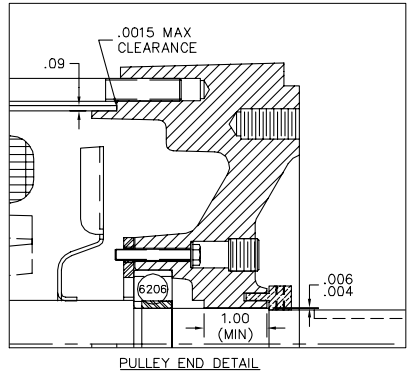
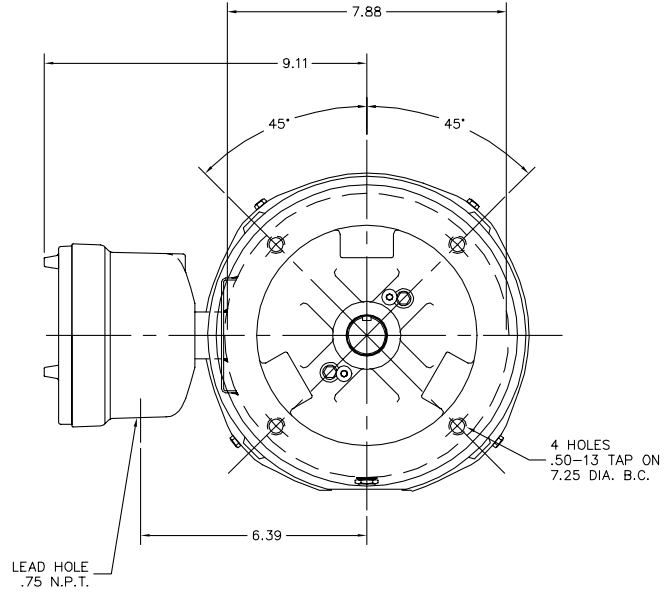
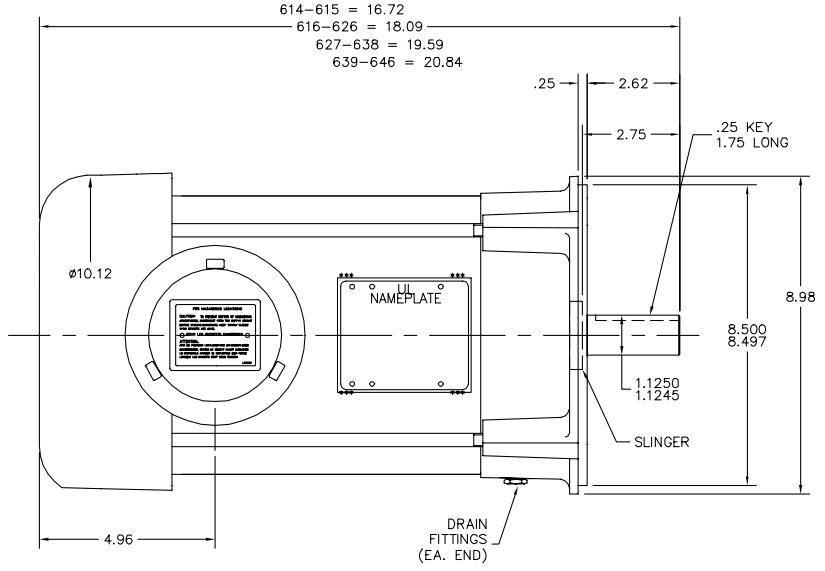
Load Characteristics 380 V, 50 Hz, 3 HP

% of Rated Load	25	50	75	100	125	150	S.F.
Power Factor	32	51	63	72	78	81	76
Efficiency	77.9	86	88.5	89.2	89.2	88.7	89.2
Speed	1493.7	1486.7	1479.6	1471.9	1463.6	1455.2	1467
Line amperes	3.51	3.92	4.53	5.28	6.15	7.09	5.8

Performance Graph at 380V, 50Hz, 3.0HP Typical performance - Not guaranteed values



36LYM654



CUSTOMER IS RESPONSIBLE FOR DETERMINING THAT BALDOR'S PRODUCT WILL PERFORM SUITABLY IN THE INTENDED APPLICATION.

REV. DESC: UPDATE DESCRIPTION AND CORRECT LAYOUT GRAPHICS		
REV. LTR: C	VERSION: 03	TDR: 000000916846
FILE: \AAA\00152\788	REVISED: 12:37:03 04/14/2015	BY: ENSHARO
MTL: -		

BALDOR

VER 182-4TC XPFC M CLI GP C&D, DRILL RIG, METAL SLINGER

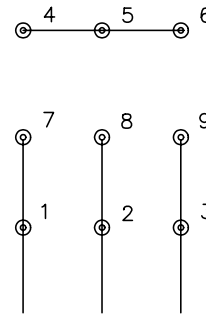
SH 1 of 1

36LYM654

CD0005

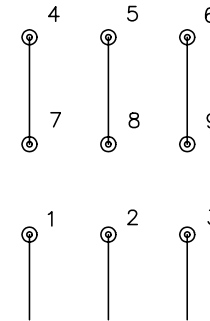


LOW VOLTAGE
(2Y)



LINE

HIGH VOLTAGE
(1Y)



LINE

NOTES:

1. INTERCHANGE ANY TWO LINE LEADS TO REVERSE ROTATION.
2. OPTIONAL THERMOSTATS ARE PROVIDED WHEN SPECIFIED.
3. ACTUAL NUMBER OF INTERNAL PARALLEL CIRCUITS MAY BE A MULTIPLE OF THOSE SHOWN ABOVE.
4. LEAD COLORS ARE OPTIONAL. LEADS MUST ALWAYS BE NUMBERED AS SHOWN.

REV. DESC: REVISE TO SHOW OPTIONAL COLORS			
REV. LTR: E	BY: JLP	REVISED: 01/19/99 10:15	TDR: 0171435
90000		FILE: AAA00005140	MDL: -
		MTL: -	

BALDOR ELECTRIC Co.

3PH, DV, 9 LEADS

CD0005