

BALDOR® • ***RELIANCE***

Product Information Packet

VUHM3538

.5HP, 1740RPM, 3PH, 60HZ, 56C, 3511M, TEFC, F3

Part Detail							
Revision:	H	Status:	PRD/A	Change #:		Proprietary:	No
Type:	AC	Prod. Type:	3512M	Elec. Spec:	35WGP864	CD Diagram:	CD0005
Enclosure:	TEFC	Mfg Plant:		Mech. Spec:	35X042	Layout:	35LYX042
Frame:	56C	Mounting:	F3	Poles:	04	Created Date:	06-01-2011
Base:	N	Rotation:	R	Insulation:	F	Eff. Date:	10-27-2016
Leads:	9#18					Replaced By:	
Literature:		Elec. Diagram:					

Nameplate NP1372L										
CAT.NO.	VUHM3538									
SPEC.	35X042P864G1									
HP	.5									
VOLTS	230/460									
AMP	2.24/1.12									
RPM	1740									
FRAME	56C				HZ	60			PH	3
SER.F.	1.15		CODE	M	DES	B		CL	F	
NEMA-NOM-EFF	72		PF	58						
RATING	40C AMB-CONT									
CC								USABLE AT 208V	2.42	
DE	6205				ODE	6203				
ENCL	TEFC		SN							
	IP44									

Parts List		
Part Number	Description	Quantity
SA224445	SA 35X042P864G1	1.000 EA
RA211556	RA 35X042P864G1	1.000 EA
34FN3002A01SP	EXTERNAL FAN, PLASTIC, .637/.639 HUB W/	1.000 EA
S/P111-000-002	CORONA TEST, SUPER E MOTORS - FT. SMITH	1.000 EA
NS2512A01	INSULATOR, CONDUIT BOX X	1.000 EA
35CB4007	KOBX,W/PRIMER (REL# 79097-49-C)	1.000 EA
35GS3009	GASKET, KOBX 35CB4006 (411881-15A)	1.000 EA
WD4101A13	STEEL CAPLUG,BP-1 1/8, PLUG D3561S	1.000 EA
51XB1016A05	10-16X5/16HX WA SL SR TYB (F/S)	2.000 EA
11XW1032G06	10-32 X .38, TAPTITE II, HEX WSHR SLTD U	1.000 EA
HW3001B01	BRASS CUP WASHER, FOR #8 SCREW	1.000 EA
35EP3100M02	FREP TEFC 203 BRG W/O GR SR (RAISED FH MT	1.000 EA
HW5100A03SP	WAVY WASHER (W1543-017)	1.000 EA
35EP3300A33	SPL FACE MTD EP -ENCL-205 BRG	1.000 EA
51XN1032A20	10-32 X 1 1/4 HX WS SL SR	2.000 EA
51XB1214A16	12-14X1.00 HXWSSLD SERTYB	1.000 EA
35FH4005A32SP	IEC FH NO GR SR W/3 HOLES - PRIMED	1.000 EA
51XW1032A06	10-32 X .38, TAPTITE II, HEX WSHR SLTD S	3.000 EA
35CB4519	CB LID RAW & UNPRIMED, REL# 79097-50-B	1.000 EA
35GS3019	GASKET, FOR KOBX LID 35CB4519	1.000 EA
51XW0832A07	8-32 X .44, TAPTITE II, HEX WSHR SLTD SE	4.000 EA
HW2501D13	KEY, 3/16 SQ X 1.375	1.000 EA
HA7000A04	KEY RETAINER 0.625 DIA SHAFTS	1.000 EA
85XU0407S04	4X1/4 U DRIVE PIN STAINLESS	2.000 EA

Parts List (continued)		
Part Number	Description	Quantity
MJ1000A02	GREASE, POLYREX EM EXXON (USe 4824-15A)	0.050 LB
MG1000N49	MUNSELL 8.5BG 3.57/2.0, GLOSS 30, B/G,	0.017 GA
HA3100A15	THRUBOLT 10-32 X 8.375	4.000 EA
LB1119N	WARNING LABEL	1.000 EA
LC0005	CONN.DIA.,TY M,9-LD,DUAL VOLT,REVERSING	1.000 EA
MN416A01	TAG-INSTAL-MAINT no wire (1200/bx) 11/14	1.000 EA
NP1372L	ALUM UL CSA CE CC	1.000 EA
36PA1000	PKG GRP, PRINT PK1016A06	1.000 EA
PK3082	STYROFOAM CRADLE	1.000 EA

AC Induction Motor Performance Data

Record # 57231 - Typical performance - not guaranteed values

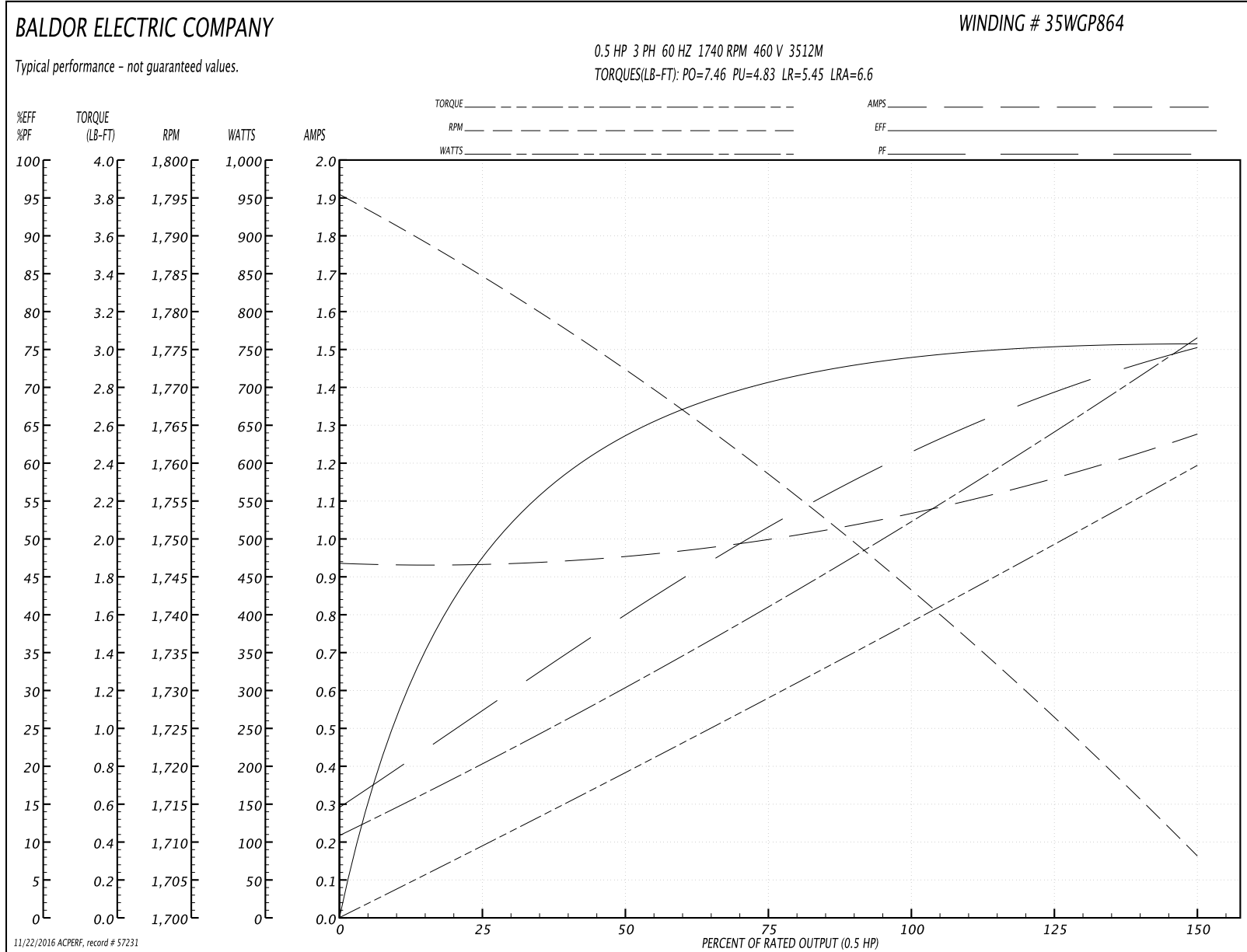
Winding: 35WGP864-R014	Type: 3512M	Enclosure: TEFC
-------------------------------	--------------------	------------------------

Nameplate Data				460 V, 60 Hz: High Voltage Connection	
Rated Output (HP)	.5			Full Load Torque	1.52 LB-FT
Volts	230/460			Start Configuration	direct on line
Full Load Amps	2.24/1.12			Breakdown Torque	7.46 LB-FT
R.P.M.	1740			Pull-up Torque	4.83 LB-FT
Hz	60	Phase	3	Locked-rotor Torque	5.45 LB-FT
NEMA Design Code	B	KVA Code	M	Starting Current	6.6 A
Service Factor (S.F.)	1.15			No-load Current	0.938 A
NEMA Nom. Eff.	72	Power Factor	58	Line-line Res. @ 25°C	36.2 Ω
Rating - Duty	40C AMB-CONT			Temp. Rise @ Rated Load	41°C
S.F. Amps				Temp. Rise @ S.F. Load	45°C
				Locked-rotor Power Factor	80.2
				Rotor inertia	0.0709 LB-FT ²

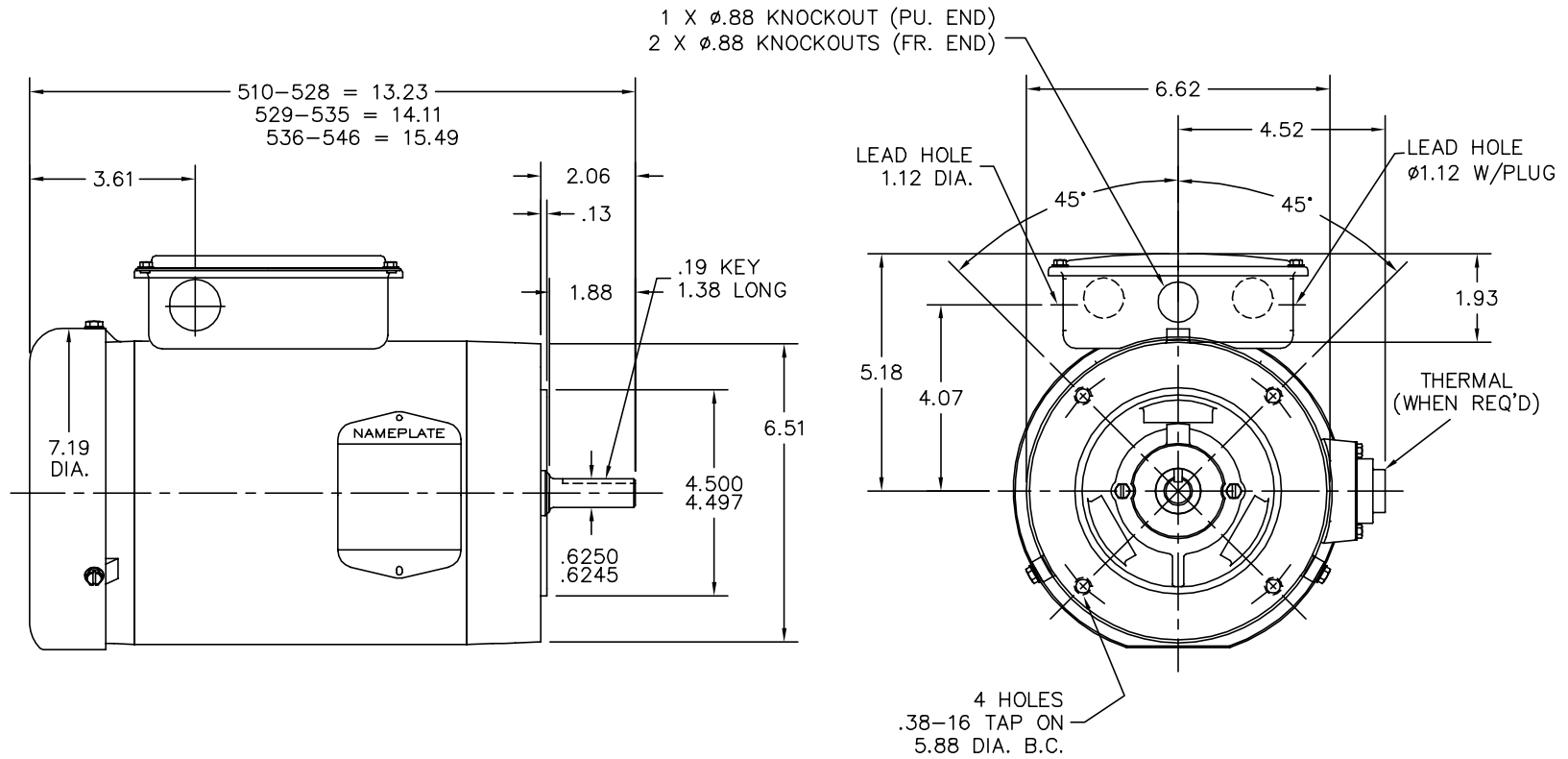
Load Characteristics 460 V, 60 Hz, 0.5 HP

% of Rated Load	25	50	75	100	125	150	S.F.
Power Factor	27	39	50	61	69	75	63
Efficiency	47.1	62.6	70.3	73.8	75.6	75.6	73.2
Speed	1786	1773	1759	1745	1729	1708	1732
Line amperes	0.926	0.953	1	1.06	1.14	1.28	1.17

Performance Graph at 460V, 60Hz, 0.5HP Typical performance - Not guaranteed values



35LYX042



CUSTOMER IS RESPONSIBLE FOR DETERMINING THAT MOTOR PERFORMANCE IS SUITABLE IN THE APPLICATION.

REV. DESC: NEW	VERSION: 00	TDR: 000000448475
REV. LTR: -	FILE: \AAA\00152\624	REVISED: 15:07:29 12/03/2007
35LYX042	MTL: -	BY: ENALEMO

BALDOR • DODGE • RELIANCE

VERT 56C TEFC M F3 W/35CB4007

35LYX042

CD0005



LOW VOLTAGE
(2Y)



LINE

HIGH VOLTAGE
(1Y)



LINE

NOTES:

1. INTERCHANGE ANY TWO LINE LEADS TO REVERSE ROTATION.
2. OPTIONAL THERMOSTATS ARE PROVIDED WHEN SPECIFIED.
3. ACTUAL NUMBER OF INTERNAL PARALLEL CIRCUITS MAY BE A MULTIPLE OF THOSE SHOWN ABOVE.
4. LEAD COLORS ARE OPTIONAL. LEADS MUST ALWAYS BE NUMBERED AS SHOWN.

REV. DESC: REVISE TO SHOW OPTIONAL COLORS			
REV. LTR: E	BY: JLP	REVISED: 01/19/99 10:15	TDR: 0171435
90000		FILE: AAA00005140	MDL: -
		MTL: -	

BALDOR ELECTRIC Co.

3PH, DV, 9 LEADS

CD0005