

# Series 4SE-L

4" Horizontal Discharge - Submersible Non-Clog Pumps  
0.9, 1.4 & 1.8HP, 1750RPM

# BARNES®

www.cranepumps.com

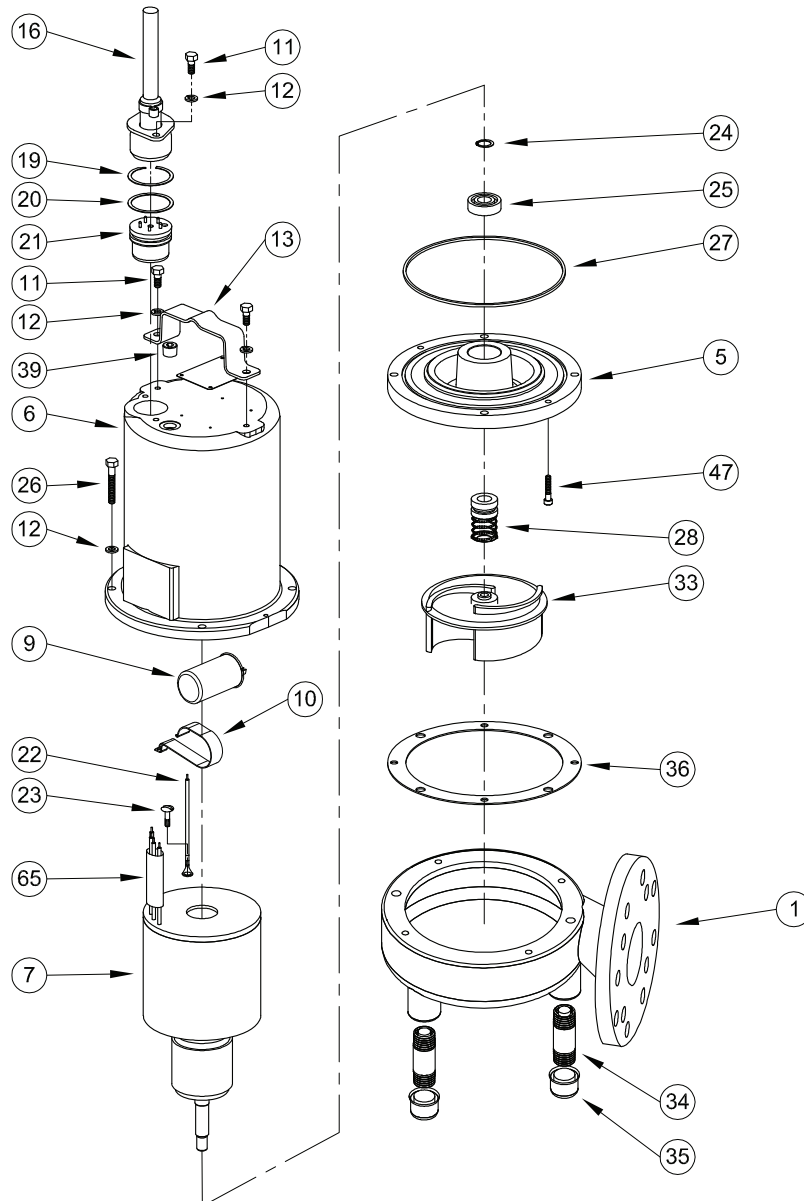
## BARNES • PROSSER • CROWN SERVICE PARTS

| MODEL   | PART NO. | MODEL    | PART NO. |
|---------|----------|----------|----------|
| 4SE914L | 105014   | 4SE1474L | 105024   |
| 4SE924L | 105015   | 4SE1494L | 105025   |
| 4SE994L | 105016   | 4SE1444L | 105026   |
| 4SE944L | 105017   | 4SE1454L | 105027   |
| 4SE954L | 105018   | 4SE1974L | 105032   |
|         |          | 4SE1994L | 105033   |
|         |          | 4SE1944L | 105034   |
|         |          | 4SE1954L | 105035   |

 PumpCatalog.com

Questions? Call **1-800-810-1053**

Manual: 105242



Continued →

SECTION 1D  
PAGE 46  
DATE 6/06

**CRANE**®

A Crane Co. Company

PUMPS & SYSTEMS

USA: (937) 778-8947 • Canada: (905) 457-6223 • International: (937) 615-3598

# Series 4SE-L

4" Horizontal Discharge - Submersible Non-Clog Pumps  
0.9, 1.4 & 1.8HP, 1750RPM



www.cranepumps.com

## BARNES • PROSSER • CROWN SERVICE PARTS

### PARTS KITS

#### Seal Repair Kits:

**Single Seal** .....P/N - **130180** (+) 20, 27, 28, 36

**Double Seal** .....P/N - **130176** (†) 20, 27, 28, 32, 36

#### Service Kits:

**Single Seal**.....P/N - **130207** (◇) 19, 20, 22, 24, 25, 27, 28, 36, 49, 65, 66

**Double Seal** .....P/N - **130172** (◆) 19, 20, 22, 24, 25, 27, 28, 32, 36, 44, 49, 65, 66

**Seal Tool Kit** .....P/N - **107271**

**Pressure Gauge Kit** .....P/N - **085343**

| ITEM | QTY.  | PART NO.    | DESCRIPTION                                      |
|------|-------|-------------|--|
| 1    | 1     | 103604      | Volute   |
| 4    | 2     | 003217      | Pipe Plug  |
|      |       |             | All double seal (Std), .25" NPT, ZP              |
|      | 2     | 039383      | Moisture Sensor Probes                           |
|      |       |             | (Optional) for moisture sensor                   |
| 5    | 1     | 084532      | Seal Plate                                       |
|      |       |             | All single seal                                  |
|      |       | 084906      | Seal Plate                                       |
|      |       |             | All double seal                                  |
| 6    | 1     | 105196      | Motor Housing                                    |
|      |       |             | (Std)  |
|      |       | 105196HA    | (Optional) for moisture and temp. sensors        |
| 7    | 1     |             | Motor:   |
|      |       | 030369BS    | 4SE914L  |
|      |       | 030369BD    | 4SE914DS   |
|      |       | 030370BS    | 4SE924L  |
|      |       | 030370BD    | 4SE924DS   |
|      |       | 071352BS    | 4SE994L, 4SE944L                                 |
|      |       | 071352BD    | 4SE994DS, 4SE944DS                               |
|      |       | 092854BS    | 4SE954L  |
|      |       | 092854BD    | 4SE954DS   |
|      |       | 085472BS    | 4SE1474L   |
|      |       | 085472BD    | 4SE1474DS  |
|      |       | 029792BS    | 4SE1924L   |
|      |       | 029792BD    | 4SE1924DS  |
|      |       | 071354BS    | 4SE1494L, 4SE1444L, 4SE1994L, 4SE1944L           |
|      |       | 071354BD    | 4SE1494DS, 4SE1444DS, 4SE1994DS, 4SE1944DS       |
|      |       | 092855BS    | 4SE1454L, 4SE1954L                               |
|      |       | 092855BD    | 4SE1454DS, 4SE1954DS                             |
| 8    | 96oz  | 029034      | Oil  |
|      | 120oz | 029034      | Oil  |
|      |       |             | All single seal                                  |
|      |       |             | All double seal (Includes 24oz. in Seal Chamber) |
| 9    | 1     | 034964      | Capacitor  |
|      |       |             | (30MFD) 1 Phase                                  |
| 10   | 1     | 039858      | Capacitor Bracket                                |
|      |       |             | 1 Phase  |
| 11   | 4     | 1-129-1     | Hex. Hd. Cap Screw                               |
|      |       |             | (Std), 5/16-18 x .75" Lg., Stainless             |
|      | 6     | 1-129-1     | Hex. Hd. Cap Screw                               |
|      |       |             | (Optional) for moisture and temp. sensors        |
| 12   | 8     | 026322      | Lockwasher                                       |
|      |       |             | (Std), 5/16, Stainless                           |
|      | 10    | 026322      | Lockwasher                                       |
|      |       |             | (Optional) for moisture and temp. sensors        |
| 13   | 1     | 103503      | Handle   |
| 16   | 1     | See Table 2 | Power Cable Set                                  |
| 16a  | 1     | 103582      | Compression Flange                               |
|      |       |             | Included with cable set                          |
| 19   | 1     | 105197      | Snap Ring  |
|      |       |             | (Std)  |
|      | 2     | 105197      | Snap Ring  |
|      |       |             | (Optional) for moisture and temp. sensors        |
| 20   | 1     | 2-31051-224 | O-ring   |
|      |       |             | (Std)  |
|      | 2     | 2-31051-224 | O-ring   |
|      |       |             | (Optional) for moisture and temp. sensors        |
| 21   | 1     | 103584      | Terminal Block                                   |
|      |       |             | 1 Phase  |
|      | 1     | 103583      | Terminal Block                                   |
|      |       |             | 3 Phase  |
| 22   | 1     | 105111      | Ground Wire Assembly                             |
|      |       |             | (Std)  |
|      | 2     | 105111      | Ground Wire Assembly                             |
|      |       |             | (Optional) for moisture and temp. sensors        |

\* Units with build code date (see section G-4) before -0901 may use capacitor part number, 070963 or the 034964 part number.

Continued →

SECTION 1D  
PAGE 48  
DATE 9/09



### PUMPS & SYSTEMS

A Crane Co. Company

USA: (937) 778-8947 • Canada: (905) 457-6223 • International: (937) 615-3598

### BARNES • PROSSER • CROWN SERVICE PARTS

| ITEM | QTY. | PART NO.   |        | DESCRIPTION   |
|------|------|------------|--------|---|
| 23   | 1    | 016660     |        | Screw #8-32 x .375" Lg.   |
| 24   | 1    | 085326     | ◆◆     | Retaining Ring Included with motor                                |
| 25   | 1    | 017414     | ◆◆     | Bearing   |
| 26   | 4    | 1-135-1    |        | Cap Screw All single seal, 5/16-18 x 1.75" Lg., Stainless         |
|      | 4    | 1-168-1    |        | Cap Screw All double seal, 5/16-18 x 3.50" Lg., Stainless         |
| 27   | 1    | 027269     | + † ◆◆ | Square Ring All single seal                                       |
|      | 2    | 027269     | ◆      | Square Ring All double seal                                       |
| 28   | 1    |            | + † ◆◆ | Shaft Seal: (Qty 2 for DS)  |
|      |      | 005080     |        | Carbon/Ceramic/Buna-N (STD)                                       |
|      |      | 005080SB   |        | Tungsten/Tungsten/Buna-N  |
|      |      | 005080SD   |        | Silicon Carbide/Silicon Carbide/Buna-N                            |
|      |      | 005080SF   |        | Carbon/Ceramic/Viton  |
|      |      | 005080SH   |        | Tungsten/Tungsten/Viton   |
|      |      | 005080SK   |        | Silicon Carbide/Silicon Carbide/Viton                             |
|      |      | 005080SM   |        | Silicon Carbide/Tungsten/Buna-N                                   |
|      |      | 005080SN   |        | Carbon/Ni-Resistant/Buna-N  |
|      |      | 005080SP   |        | Carbon/Ni-Resistant/Neoprene                                      |
|      |      | 082850     |        | Carbon/Ni-Resistant/Viton   |
| 29   | 1    | 103587     |        | Seal Housing All double seal                                      |
| 32   | 1    | 2-27008-62 | † ◆    | Retaining Ring All double seal                                    |
| 33   | 1    |            |        | Impeller, Cast Iron:  |
|      |      | 084346     |        | 6.00 Dia. (STD for 1.9 HP)  |
|      |      | 084346TA   |        | 5.88 Dia.   |
|      |      | 084346TB   |        | 5.75 Dia.   |
|      |      | 084346TC   |        | 5.63 Dia. (STD for 1.4 HP)  |
|      |      | 084346TD   |        | 5.50 Dia.   |
|      |      | 084346TE   |        | 5.38 Dia.   |
|      |      | 084346TF   |        | 5.25 Dia. (STD for .9 HP)   |
|      |      | 084346TG   |        | 5.13 Dia.   |
|      |      | 084346TH   |        | 5.00 Dia.   |
|      |      | 084346TJ   |        | 4.88 Dia.   |
|      |      | 084346TK   |        | 4.75 Dia.   |
|      |      | 084346TL   |        | 4.63 Dia.   |
|      |      | 084346TM   |        | 4.50 Dia.   |
|      |      | 084346TN   |        | 4.38 Dia.   |
|      |      | 084346TP   |        | 4.25 Dia.   |
|      |      | 084346TQ   |        | 4.13 Dia.   |
|      |      | 084346TR   |        | 4.00 Dia.   |
| 34   | 3    | 005808     |        | Nipple  |
| 35   | 3    | 003479     |        | Cap   |
| 36   | 1    | 027344     | + † ◆◆ | Gasket  |
| 39   | 1    | 014270     |        | Pipe Plug .375" NPT, ZP   |
| 41   | A/R  |            |        | Loctite242  |
| 42   | A/R  |            |        | Permatex2C  |
| 44   | 1    | 003217     | ◆      | Pipe Plug All double seal, .25" NPT, ZP                           |
| 45   | 2    | 5-32-6     |        | Screw (Optional ) for moisture sensor, #6-32 x .25" Lg., ZP       |
| 46   | 2    | 052563     |        | Lockwasher (Optional) for moisture sensor, #6 Stl.                |
| 47   | 2    | 084948     |        | Socket Head Screw 1/4-20 x 1.25" Lg., Stainless                   |
| 48   | 4    | 105150     |        | Terminal Connector 200-240V, 3Ph                                  |
|      | 3    | 625-00163  |        | Terminal Connector 480V, 3PH                                      |
| 49   | 3    | 105149     | ◆◆     | Wire Assembly 200-240V, 3Ph                                       |
| 50   | 1    | 051621     |        | Thermal Sensor (Optional) for temperature sensor, (Not Shown)     |
| 51   | 2    | 105155     |        | Wire Assembly (Optional) for temperature sensor, (Not Shown)      |
| 52   | 2    | 134013     |        | Terminal Connector (Optional) for temperature sensor, (Not Shown) |
| 53   | 2    | 105106     |        | Wire Assembly (Optional) for moisture sensor                      |

**Continued →**

# Series 4SE-L

4" Horizontal Discharge - Submersible Non-Clog Pumps  
0.9, 1.4 & 1.8HP, 1750RPM

# BARNES®

www.cranepumps.com

## BARNES • PROSSER • CROWN SERVICE PARTS

| ITEM | QTY. | PART NO.    | DESCRIPTION                |
|------|------|-------------|----------------------------|
| 54   | 1    | 103584      | Terminal Block             |
|      |      | 103585      | Temperature sensor options |
| 56   | 1    | See Table 2 | Control Cable              |
| 57   | A/R  |             | Loctite 603                |
| 64   | 2    | 030337      | Socket Head Cap Screw      |
| 65   | 1    | 625-02117   | ◇ ◇ Sleeve, Fiberglass     |
| 66   | 1    | 030068      | ◇ ◇ Jam Nut                |
| 69   | 1    | 111909      | Jumper Wire                |

| CABLE LENGTH | ITEM #16<br>240 VOLT<br>1 PHASE<br><br>(plug included) | ITEM #16<br>240 VOLT<br>1 PHASE<br><br>(no plug) | ITEM #16<br>3 PHASE<br><br>(no plug) | ITEM #56<br>(OPTIONAL)<br>Temperature<br>3 Phase | ITEM #56<br>(OPTIONAL)<br>Moisture and Temperature<br>Sensor 3 Phase or Moisture<br>Sensor |
|--------------|--|--|--------------------------------------|--|--|
| 8 FT         | 103756A  | 103741A  | 103742A                              | 103741A  | 113288A  |
| 15 FT        | 103756   | 103741   | 103742                               | 103741   | 113288   |
| 20 FT        | 103756XA   | 103741XA   | 103742XA                             | 103741XA   | 113288XA   |
| 30 FT (Std)  | 103756XC   | 103741XC   | 103742XC                             | 103741XC   | 113288XC   |
| 50 FT        | 103756XF   | 103741XF   | 103742XF                             | 103741XF   | 113288XF   |
| 75 FT        | 103756XJ   | 103741XJ   | 103742XJ                             | 103741XJ   | 113288XJ   |
| 100 FT       | 103756XL   | 103741XL   | 103742XL                             | 103741XL   | 113288XL   |

Order Online: [www.PumpCatalog.com](http://www.PumpCatalog.com)

END

SECTION 1D  
PAGE 50  
DATE 12/19

**CRANE**<sup>®</sup>

A Crane Co. Company

PUMPS & SYSTEMS

USA: (937) 778-8947 • Canada: (905) 457-6223 • International: (937) 615-3598