

MODEL	PART NO.
SGV3072L	111608
SGV3062L	111612
SGV3032L	111609
SGV3042L	111610
SGV3052L	111611
SGV5002L	115657
SGV5022L	115658
SGV5062L	111619
SGV5032L	111616
SGV5042L	111617
SGV5052L	111618

MODEL	PART NO.
SGV7532L	111613
SGV7542L	111614
SGV7552L	111615

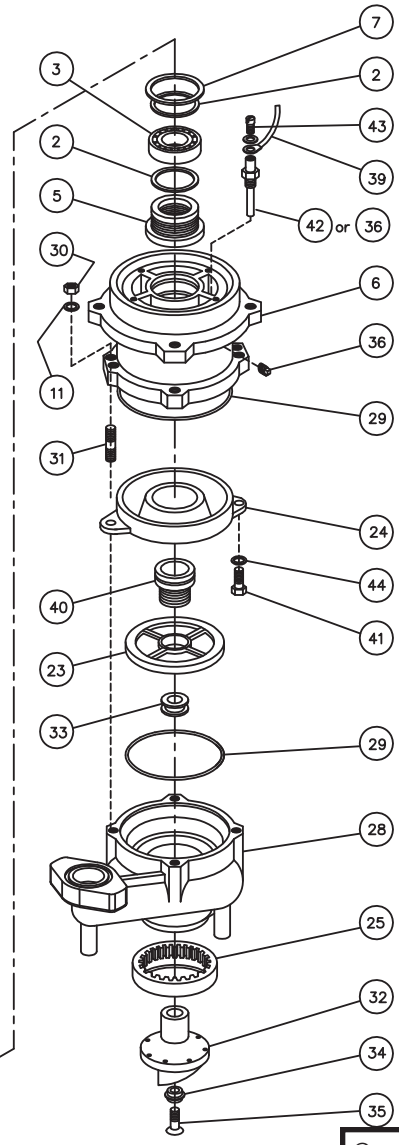
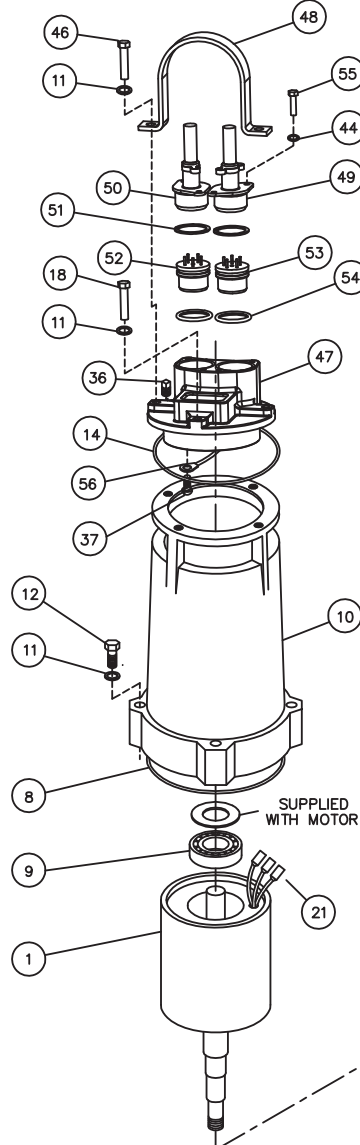
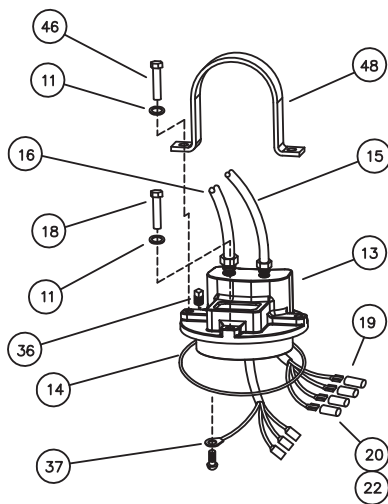


THREE BEARING DOUBLE SEAL
CENTRIFUGAL GRINDER PUMPS

Manual: 113317

SGV5002L & SGV5022L ONLY

ALL OTHER MODELS



Continued →

BARNES • PROSSER • CROWN SERVICE PARTS

PARTS KITS

Seal Repair Kit, All Except 5Hp, 1Ph P/N: 085223 Item #'s 5,8,14,16D,29,34,35,40
 Seal Repair Kit, For 5Hp, 1Ph Only..... P/N: 118042 Item #'s 5,8,14,15D,16D,29,34,35,40
 Overhaul Kit, All Except 5Hp, 1Ph..... P/N: 115771 Item #'s 2,3,5,7,8,9,14,16d,19,22,29,34,35,40
 Overhaul Kit, For 5Hp, 1Ph Only..... P/N: 115772 Item #'s 2,3,5,7,8,9,14,15d,16d,19,22,29,34,35,40
 Cutter Kit P/N: 085225 Item #'s 12,25,27,32,33,34,35

PARTS LIST

ITEM	QTY	PART NO.	DESCRIPTION
1	1	116430	MOTOR: 3HP, 200-240V, 1Ph
		116431	3HP, 200V, 3Ph
		116432	3HP, 240/480V, 3Ph
		116433	3HP, 600V, 3Ph
		115358	5HP, 200-240V, 1Ph
		116435	5HP, 200V, 3Ph
		116436	5HP, 240/480V, 3Ph
		116437	5HP, 600V, 3Ph
		116438	7.5HP, 240/480V, 3Ph
		116439	7.5HP, 600V, 3Ph
2	2	019851	Retaining Ring
3	1	061031	Ball Bearing
5	1	070713	Seal, Inner, C\C\B (STD)
6	1	087118A	5HP, 240V, 1Ph ONLY
7	1	070708	Retaining Ring
8	1	070711	Square Ring
9	1	017414	Ball Bearing
10	1	070715	Motor Housing
11	12	027115	Lockwasher. 7/16" SS
12	6	053525	Screw 7/16-14 x 2.25" SS
See Cord & Plate Assemblies			
23	1	132462	Impeller, Cast Iron 6.46" Dia. (STD), 7.5HP
		132462TB	6.25" Dia. (STD), 5HP
		132462TM	5.00" Dia. (STD), 3HP
24	1	070714	Seal Plate
25	1	070729	Shredding Ring
28	1	072084B	Volute (STD)
29	1	019289	Square Ring
30	4	027116	Hex Nut 7/16-14, SS
31	4	070706	Stud 7/16-14 x 3.25" SS
32	1	070728	Radial Cutter
33	2	070707	Shim (.010)
34	1	070702	Washer, SS
35	1	070703	Screw 3/8-16 x 1.75" SS
36	4	003217	Pipe Plug (2 replaced by Opt. Moist. sensor #42
ITEM	QTY.	PART NO.	DESCRIPTION
37	1	2-61-6	Ground Screw

38	4¼ Qts 1½ Qts	029034 029034	Motor Cooling Oil (±) Seal Cavity
39	2	070108	Wire Assy, Moisture Sensor
40	1	070712	Seal, Outer, C\C\B (STD)
41		1-131-1	Screw 5/16-18 x 1.25" SS
42	2	087115	Moisture Sensor (Opt)
43	2	038156	Machine screw, Moist. (Opt)
44	2	026322	Lockwasher 5/16 SS (Opt)
45	1	070717	Sleeve Bearing (included w/#6)
Cord & Plate Assembly for Models SGV5022L & SGV5002L ONLY			
13	1	112162A	Cover Plate SGV5022L -ONLY
		112162B	SGV5002L - ONLY
14	1	067564	Square Ring
15	1	093284XC	Cord Set, Power, 30Ft (STD)
		093285XC	SGV5002L - Only SGV5022L - Only
15B	1	052259	Gland Nut SGV5002L & SGV5022L - Only
15C	2	110929	Friction Ring SGV5002L & SGV5022L
		110928	Grommet SGV5002L & SGV5022L
16	1	071769XC	Cord Set, Temp, 30Ft. (STD)
		079031XC	Cord Set, Moist & Temp, 30Ft
16B	1	051448	Gland Nut
16C	2	051449	Friction Ring, Temp Friction Ring, Moist & Temp
		051451	Grommet, Temp Grommet, Moist & Temp
16D	1	066871	Grommet, Temp Grommet, Moist & Temp
18	2	1-147-1	Screw 7/16-14 x 1.50" SS
19	4	079318	Terminal Connector, Moist
		079318	Terminal Connector, Temp
20	3	016405	Wire Connector, 1 & 3Ph, 480V
21	3	625-00163	Wire Connector, 3 Phase Only
22	3	016406	Connector (All except 240V, 3Ph)
		052290*	7.5HP, 240V, 3Ph
		055844	5 & 3HP, 240V, 3Ph
46	2	1-319-1	Screw 7/16-14 x 2" SS
48	1	113316	Lifting Bail
Continued on Next Page			

Order Online: www.PumpCatalog.com

Continued →

SECTION 3B
PAGE 26
DATE 10/18

CRANE[®]

A Crane Co. Company

PUMPS & SYSTEMS

USA: (937) 778-8947 • Canada: (905) 457-6223 • International: (937) 615-3598

BARNES • PROSSER • CROWN SERVICE PARTS

ITEM	QTY	PART NO.	DESCRIPTION
Cord & Plate Assembly for ALL Other Models			
14	1	067564	Square Ring
18	2	1-147-1	Screw 7/16-14 x 1.50" SS
46	2	1-319-1	Screw 7/16-14 x 2" SS
47	1	112162	Cover Plate
48	1	113316	Lifting Bail
49	1	103741XC 113288XC	Cord Set 14/3 Temp Only Cord Set 18/5 Moist & Temp
50	1	103739XC	Cord Set 10/4 Power
51	2	2-31051-224	O-Ring

52	1	103586	Terminal Block, 4 Pin - Power
53	1	103584 113272	Temp - Terminal Block Moist & Temp - Terminal Block
54	2	105197	Retaining Ring
55	4	1-156-1	Screw 5/16-18 x 1" SS
56	1	105111A 105111	Ground Wire Assy Ground Wire Assy (Opt. Moist. sensor only)

Contact your local Distributor or the Factory for other impeller sizes, seal materials, cord lengths and other optional equipment.
(‡) Oil capacity shown is for the smallest HP motor, as HP increases oil capacity decreases.

Recommended Breaker & Heater Sizes

Model No.	HP	Ph	Volts	Breaker Size	Heater Size	Voltage Relay	Start Capacitor	Run Capacitor
SGV3072L	3	1	200/240	50 AMP	K-64	MARS 66	257 mfd - 220 volts	20 mfd - 370 volts
SGV3062L	3	3	200	40 AMP	K-56	N/R	N/R	N/R
SGV3032L	3	3	240	30 AMP	K-54	N/R	N/R	N/R
SGV3042L	3	3	480	15 AMP	K-41	N/R	N/R	N/R
SGV3052L	3	3	600	15 AMP	K-37	N/R	N/R	N/R
SGV5002L	5	1	200	100 AMP	K-73	MARS 64	189-227 mfd - 220 volts	40 mfd - 370 volts
SGV5022L	5	1	240	80 AMP	K-70	MARS 64	189-227 mfd - 220 volts	40 mfd - 370 volts
SGV5062L	5	3	200	50 AMP	K-63	N/R	N/R	N/R
SGV5032L	5	3	240	50 AMP	K-62	N/R	N/R	N/R
SGV5042L	5	3	480	20 AMP	K-50	N/R	N/R	N/R
SGV5052L	5	3	600	20 AMP	K-49	N/R	N/R	N/R
SGV7532L	7.5	3	240	50 AMP	K-67	N/R	N/R	N/R
SGV7542L	7.5	3	480	30 AMP	K-54	N/R	N/R	N/R
SGV7552L	7.5	3	600	20 AMP	K-50	N/R	N/R	N/R
SGV30Z2L	1.7	3	380/415/3	15 AMP	K-41	N/R	N/R	N/R
SGV50Z2L	2.8	3	380/415/3	20 AMP	K-50	N/R	N/R	N/R
SGV75Z2L	4.2	3	380/415/3	30 AMP	K-54	N/R	N/R	N/R

NOTE: Factory recommended heater sizes may vary depending on pump station requirements.
N/R = Not Required.

Order Online: www.PumpCatalog.com

END