

BERKELEY® B2-1/2TPM

Cast Iron Impeller

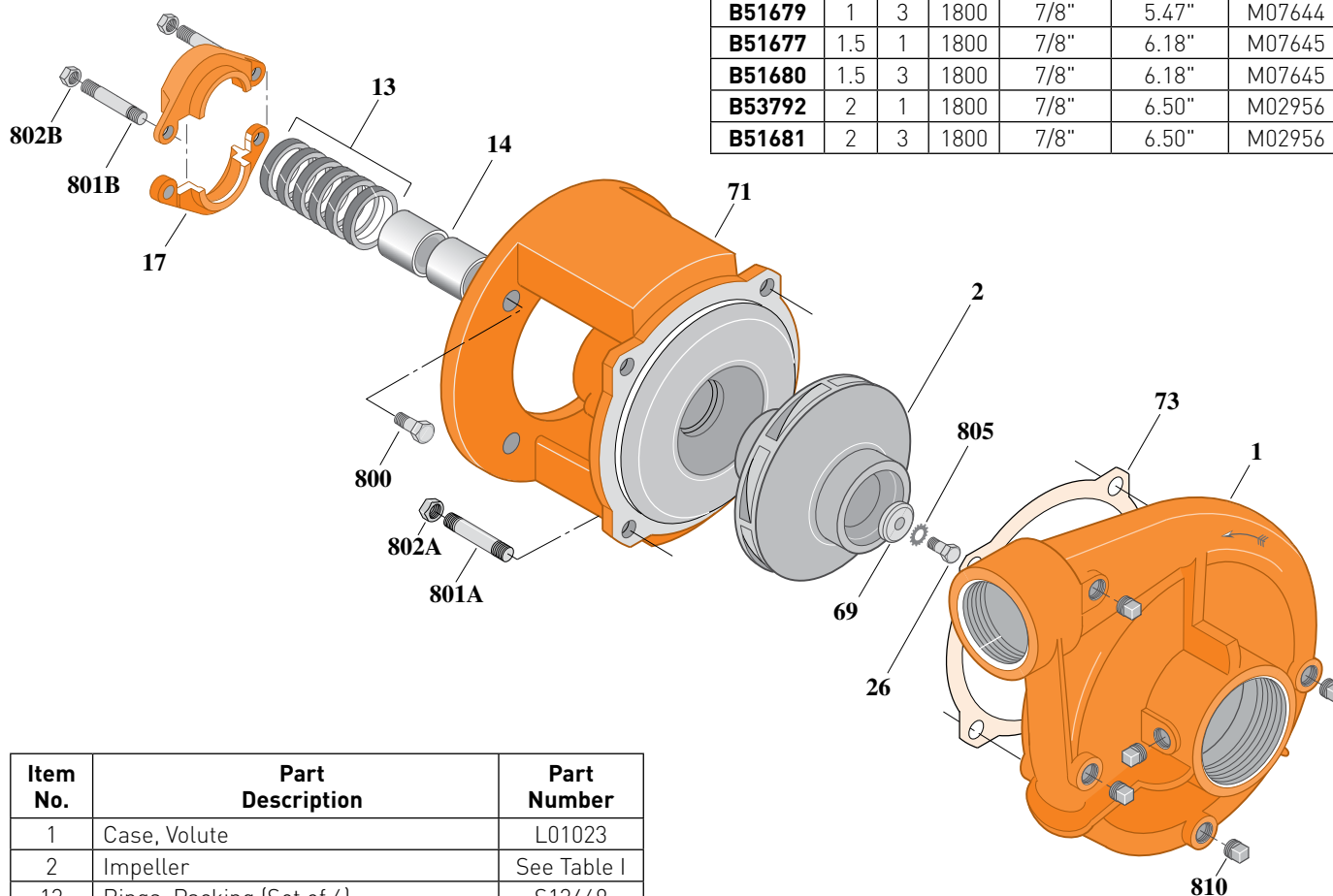
Threaded Case (NPT), Packing Construction

ELECTRIC MOTOR DRIVE

Section	CC
Page	120.1
Date	March 4, 2013
Supersedes 01/01/04	

Table I

B/M No.	HP	PH	RPM	"U" Dim.	Imp. Dia.	Imp. No.
B51676	1	1	1800	7/8"	5.47"	M07644
B51679	1	3	1800	7/8"	5.47"	M07644
B51677	1.5	1	1800	7/8"	6.18"	M07645
B51680	1.5	3	1800	7/8"	6.18"	M07645
B53792	2	1	1800	7/8"	6.50"	M02956
B51681	2	3	1800	7/8"	6.50"	M02956



Item No.	Part Description	Part Number
1	Case, Volute	L01023
2	Impeller	See Table I
13	Rings, Packing (Set of 6)	S13469
14	Sleeve, Shaft (2 Req.)	S00619
17	Gland, Packing	B82469
26	Screw, Impeller 3/8 - 16 x 1"	S23566
32	Key, 3/16 x 1-1/4" (See Note)	S34383
69	Washer, Impeller	S06314
71	Bracket	See Table II
73	Gasket, Volute	S04757
800	Capscrew, 3/8 - 16 x 7/8" (4 Req.)	S26825
801A	Stud, 1/2 - 13 x 1-1/2" (4 Req.)	S24043
801B	Stud, 3/8 - 16 x 4" (2 Req.)	S08303
802A	Nut, Hex 1/2 - 13 (4 Req.)	S23107
802B	Nut, Hex 3/8 - 16 (2 Req.)	S23343
805	Washer, Lock	S23036
810	Plug, Pipe 1/4 NPT (5 Req.)	S23715

Table II

HP	PH	Bracket No.	"AK" Fit	"U" Dim.	Motor Frame
1	1	L01525	4-1/2"	7/8"	143JP
1	3	L01525	4-1/2"	7/8"	143JP
1.5	1	L01525	4-1/2"	7/8"	145JP
1.5	3	L01525	4-1/2"	7/8"	145JP
2	1	L01525	4-1/2"	7/8"	182JP
2	3	L01525	4-1/2"	7/8"	145JP

NOTE: For an explanation of the tabulated material found on this page and for impeller key location, refer to **Supplement A** located at the beginning of this section.

BERKELEY® B2-1/2TPM

Cast Iron Impeller

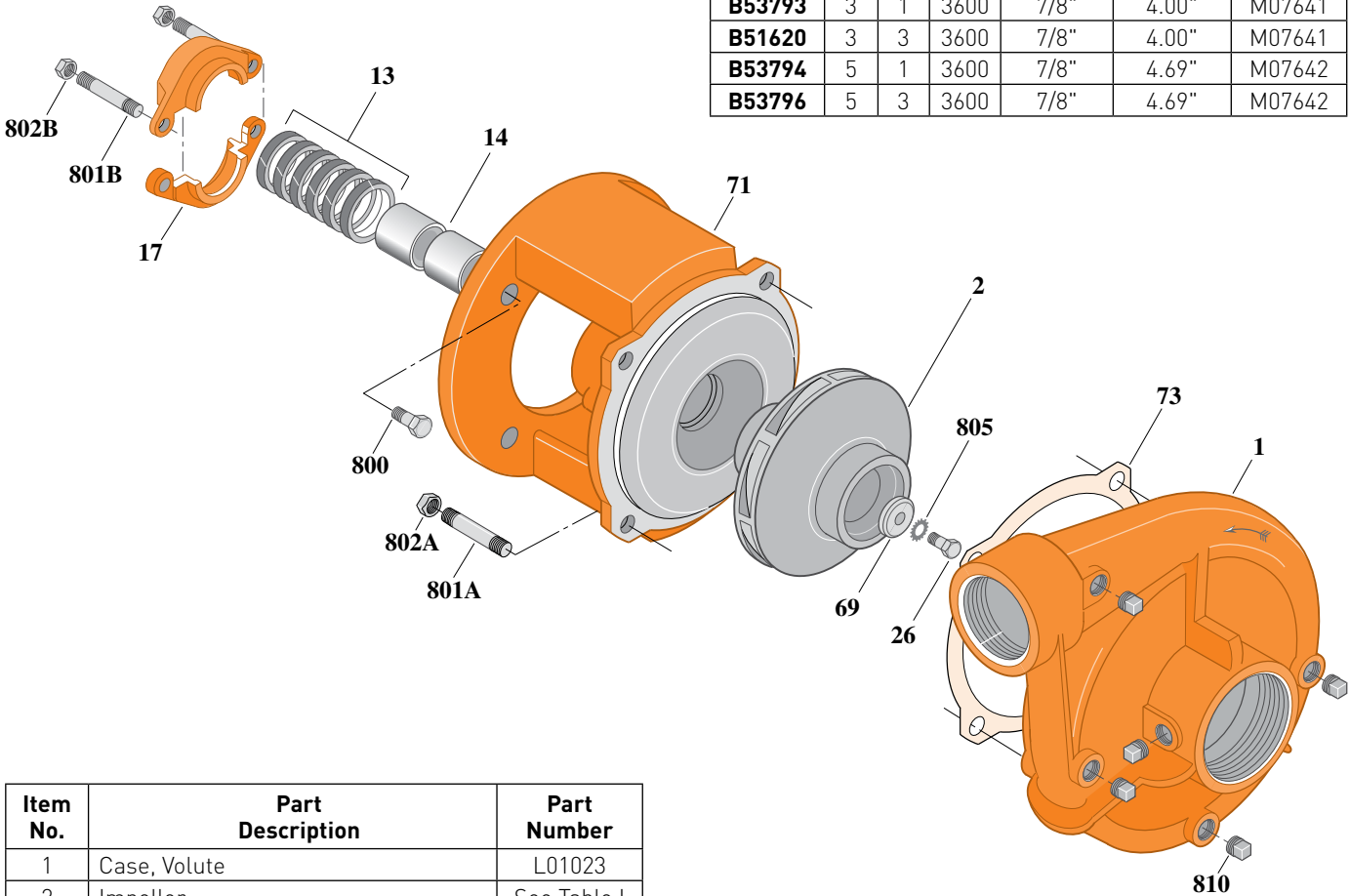
Threaded Case (NPT), Packing Construction

ELECTRIC MOTOR DRIVE

Section	CC
Page	120.2
Date	March 4, 2013
Supersedes 01/01/04	

Table I

B/M No.	HP	PH	RPM	"U" Dim.	Imp. Dia.	Imp. No.
B53793	3	1	3600	7/8"	4.00"	M07641
B51620	3	3	3600	7/8"	4.00"	M07641
B53794	5	1	3600	7/8"	4.69"	M07642
B53796	5	3	3600	7/8"	4.69"	M07642



1720A 0495

Item No.	Part Description	Part Number
1	Case, Volute	L01023
2	Impeller	See Table I
13	Rings, Packing (Set of 6)	S13469
14	Sleeve, Shaft (2 Req.)	S00619
17	Gland, Packing	B82469
26	Screw, Impeller 3/8 - 16 x 1"	S23566
32	Key, 3/16 x 1-1/4" (See Note)	S34383
69	Washer, Impeller	S06314
71	Bracket	See Table II
73	Gasket, Volute	S04757
800	Capscrew, 3/8 - 16 x 7/8" (4 Req.)	S26825
801A	Stud, 1/2 - 13 x 1-1/2" (4 Req.)	S24043
801B	Stud, 3/8 - 16 x 4" (2 Req.)	S08303
802A	Nut, Hex 1/2 - 13 (4 Req.)	S23107
802B	Nut, Hex 3/8 - 16 (2 Req.)	S23343
805	Washer, Lock	S23036
810	Plug, Pipe 1/4 NPT (5 Req.)	S23715

Table II

HP	PH	Bracket No.	"AK" Fit	"U" Dim.	Motor Frame
3	1	L01525	4-1/2"	7/8"	182JP
3	3	L01525	4-1/2"	7/8"	145JP
5	1	L01525	4-1/2"	7/8"	184JP
5	3	L01525	4-1/2"	7/8"	182JP

NOTE: For an explanation of the tabulated material found on this page and for impeller key location, refer to **Supplement A** located at the beginning of this section.



BERKELEY® B2-1/2TPM

Cast Iron Impeller

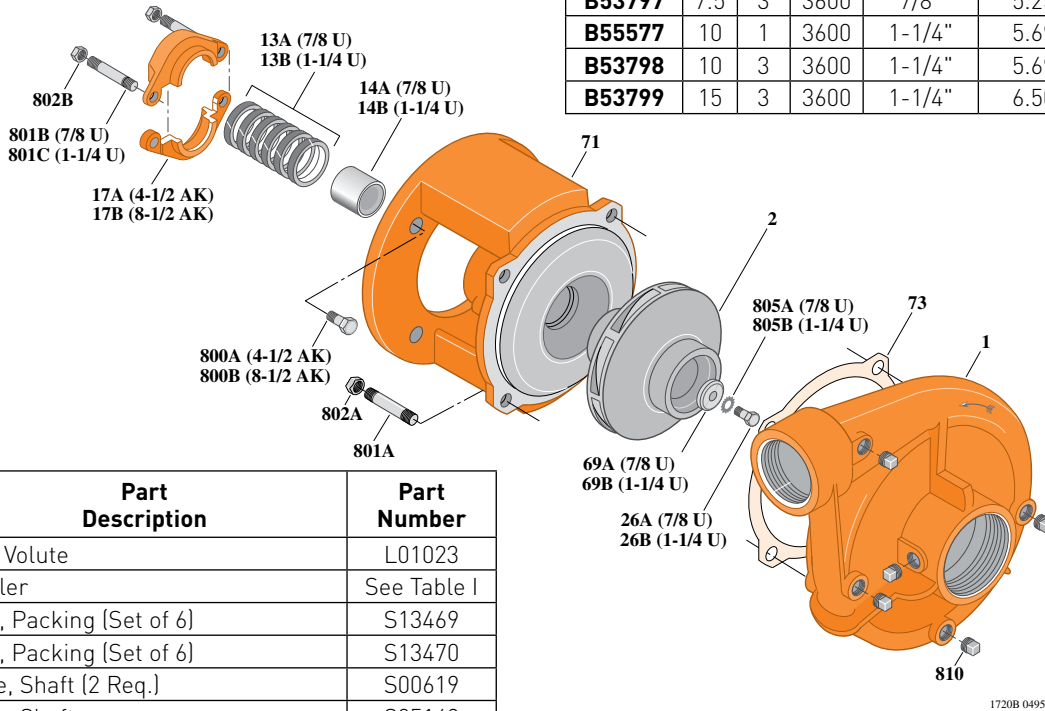
Threaded Case (NPT), Packing Construction

ELECTRIC MOTOR DRIVE

Section	CC
Page	120.3
Date	March 4, 2013
Supersedes 01/01/04	

Table I

B/M No.	HP	PH	RPM	"U" Dim.	Imp. Dia.	Imp. No.
B53795	7.5	1	3600	1-1/4"	5.25"	M07639
B53797	7.5	3	3600	7/8"	5.25"	M07643
B55577	10	1	3600	1-1/4"	5.69"	M07640
B53798	10	3	3600	1-1/4"	5.69"	M07640
B53799	15	3	3600	1-1/4"	6.50"	M02957



Item No.	Part Description	Part Number
1	Case, Volute	L01023
2	Impeller	See Table I
13A	Rings, Packing [Set of 6]	S13469
13B	Rings, Packing [Set of 6]	S13470
14A	Sleeve, Shaft [2 Req.]	S00619
14B	Sleeve, Shaft	S05149
17A	Gland, Packing	B82469
17B	Gland, Packing	B82470
26A	Screw, Impeller 3/8 - 16 x 1"	S23566
26B	Screw, Impeller 1/2 - 13 x 1"	S23619
32A	Key, 3/16 x 1-1/4" [See Note]	S34383
32B	Key, 1/4 x 2-1/4" [See Note]	S23677
69A	Washer, Impeller	S06314
69B	Washer, Impeller	S06319
71	Bracket	See Table II
73	Gasket, Volute	S04757
800A	Capscrew, 3/8 - 16 x 7/8" [4 Req.]	S26825
800B	Capscrew, 1/2 - 13 x 1" [4 Req.]	S26912
801A	Stud, 1/2 - 13 x 1-1/2" [4 Req.]	S24043
801B	Stud, 3/8 - 16 x 4" [2 Req.]	S08303
801C	Stud, 3/8 - 16 x 3-1/2" [2 Req.]	S04441
802A	Nut, Hex 1/2 - 13 [4 Req.]	S23107
802B	Nut, Hex 3/8 - 16 [2 Req.]	S23343
805A	Washer, Lock	S23036
805B	Washer, Lock	S23038
810	Plug, Pipe 1/4 NPT [5 Req.]	S23715

Table II

HP	PH	Bracket No.	"AK" Fit	"U" Dim.	Motor Frame
7.5	1	L01951	8-1/2"	1-1/4"	213JP
7.5	3	L01525	4-1/2"	7/8"	184JP
10	1	L01951	8-1/2"	1-1/4"	215JP
10	3	L01951	8-1/2"	1-1/4"	213JP
15	3	L01951	8-1/2"	1-1/4"	215JP

NOTE: For an explanation of the tabulated material found on this page and for impeller key location, refer to **Supplement A** located at the beginning of this section.



BERKELEY® B2-1/2TPMS

Cast Iron Impeller

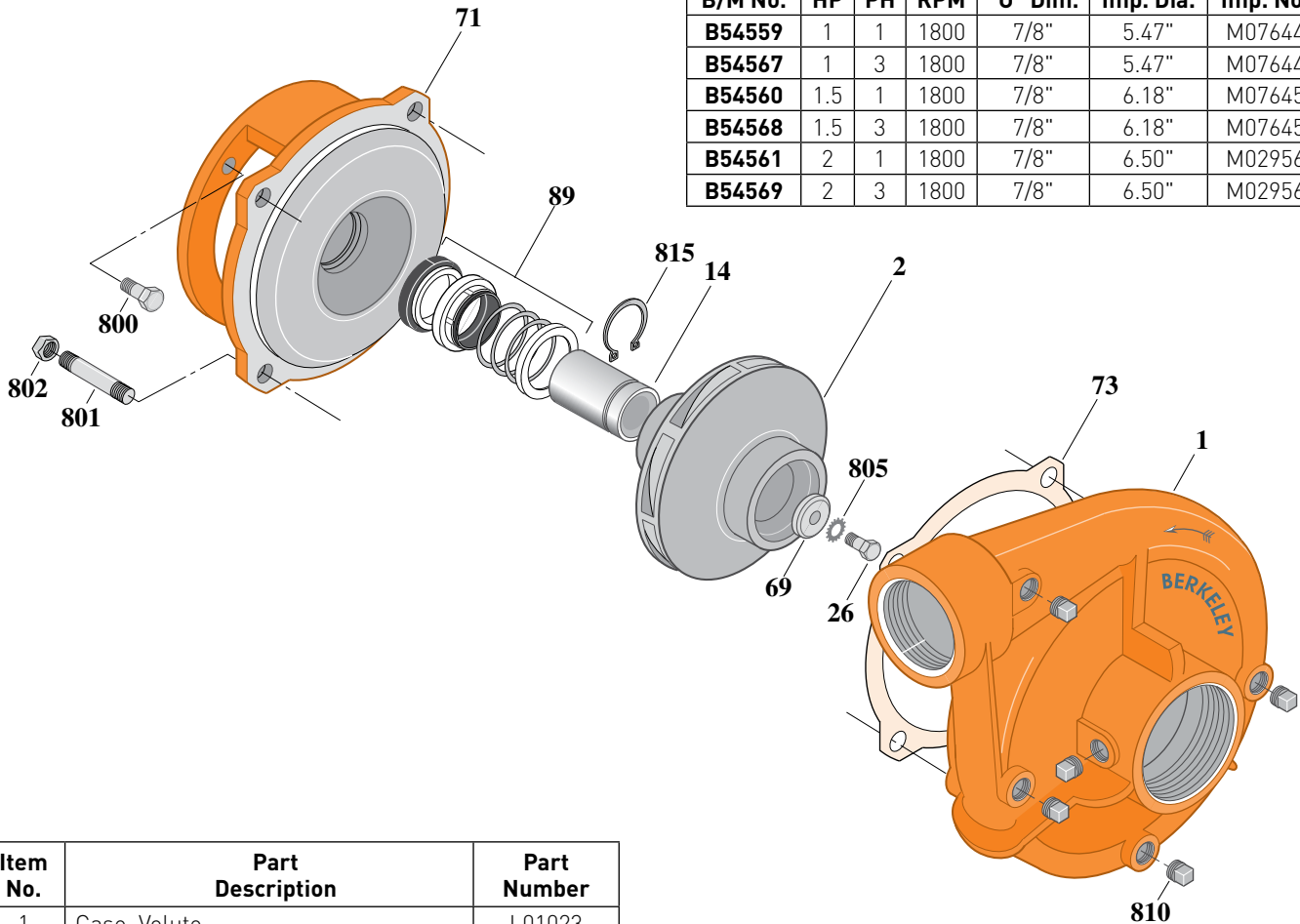
Threaded Case (NPT), Mechanical Shaft Seal Construction

ELECTRIC MOTOR DRIVE

Section	CC
Page	120.4
Date	March 4, 2013
Supersedes 01/01/04	

Table I

B/M No.	HP	PH	RPM	"U" Dim.	Imp. Dia.	Imp. No.
B54559	1	1	1800	7/8"	5.47"	M07644
B54567	1	3	1800	7/8"	5.47"	M07644
B54560	1.5	1	1800	7/8"	6.18"	M07645
B54568	1.5	3	1800	7/8"	6.18"	M07645
B54561	2	1	1800	7/8"	6.50"	M02956
B54569	2	3	1800	7/8"	6.50"	M02956



1480 0195

Item No.	Part Description	Part Number
1	Case, Volute	L01023
2	Impeller	See Table I
14	Sleeve, Shaft	S19310L
26	Screw, Impeller 3/8 - 16 x 1"	S23566
32	Key, 3/16 x 1-1/4" (See Note)	S34383
69	Washer, Impeller	S06314
71	Bracket	See Table II
73	Gasket, Volute	S04757
89	Seal, Mechanical Shaft	S32014
800	Capscrew, 3/8 - 16 x 1" (4 Req.) (For 4-1/2 AK)	S26826
801	Stud, 1/2 - 13 x 1-1/2" (4 Req.)	S24043
802	Nut, 1/2 - 13 (4 Req.)	S23107
805	Washer, Lock	S23036
810	Plug, Pipe 1/4 NPT (5 Req.)	S23715
815	Ring, Retaining	S11207

Table II

HP	PH	Bracket No.	"AK" Fit	"U" Dim.	Motor Frame
1	1	L05329	4-1/2"	7/8"	143JM
1	3	L05329	4-1/2"	7/8"	143JM
1.5	1	L05329	4-1/2"	7/8"	145JM
1.5	3	L05329	4-1/2"	7/8"	145JM
2	1	L05329	4-1/2"	7/8"	182JM
2	3	L05329	4-1/2"	7/8"	145JM

NOTE: For an explanation of the tabulated material found on this page and for impeller key location, refer to **Supplement A** located at the beginning of this section.



BERKELEY® B2-1/2TPMS

ELECTRIC MOTOR DRIVE

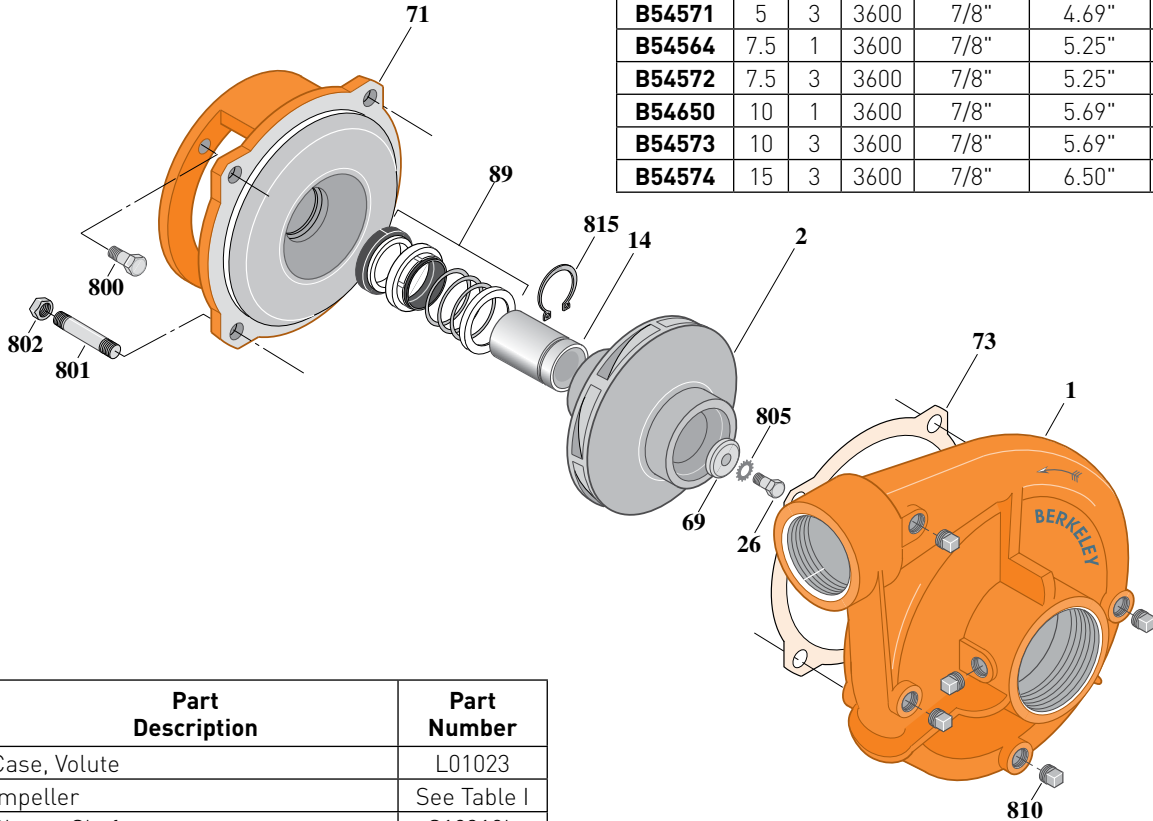
Cast Iron Impeller

Threaded Case (NPT), Mechanical Shaft Seal Construction

Section	CC
Page	120.5
Date	March 4, 2013
Supersedes 01/01/04	

Table I

B/M No.	HP	PH	RPM	"U" Dim.	Imp. Dia.	Imp. No.
B54562	3	1	3600	7/8"	4.00"	M07641
B54570	3	3	3600	7/8"	4.00"	M07641
B54563	5	1	3600	7/8"	4.69"	M07642
B54571	5	3	3600	7/8"	4.69"	M07642
B54564	7.5	1	3600	7/8"	5.25"	M07643
B54572	7.5	3	3600	7/8"	5.25"	M07643
B54650	10	1	3600	7/8"	5.69"	M07683
B54573	10	3	3600	7/8"	5.69"	M07683
B54574	15	3	3600	7/8"	6.50"	M02956



Item No.	Part Description	Part Number
1	Case, Volute	L01023
2	Impeller	See Table I
14	Sleeve, Shaft	S19310L
26	Screw, Impeller 3/8 - 16 x 1"	S23566
32	Key, 3/16 x 1-1/4" [See Note]	S34383
69	Washer, Impeller	S06314
71	Bracket	See Table II
73	Gasket, Volute	S04757
89	Seal, Mechanical Shaft	S32014
800	Capscrew, 3/8 - 16 x 1" [4 Req.] [For 4-1/2 AK]	S26826
800	Capscrew, 1/2 - 13 x 1" [4 Req.] [For 8-1/2 AK]	S26912
801	Stud, 1/2 - 13 x 1-1/2" [4 Req.]	S24043
802	Nut, 1/2 - 13 [4 Req.]	S23107
805	Washer, Lock	S23036
810	Plug, Pipe 1/4 NPT [5 Req.]	S23715
815	Ring, Retaining	S11207

Table II

HP	PH	Bracket No.	"AK" Fit	"U" Dim.	Motor Frame
3	1	L05329	4-1/2"	7/8"	182JM
3	3	L05329	4-1/2"	7/8"	145JM
5	1	L05329	4-1/2"	7/8"	184JM
5	3	L05329	4-1/2"	7/8"	182JM
7.5	1	L05328	8-1/2"	7/8"	213JM
7.5	3	L05329	4-1/2"	7/8"	184JM
10	1	L05328	8-1/2"	7/8"	215JM
10	3	L05328	8-1/2"	7/8"	213JM
15	3	L05328	8-1/2"	7/8"	215JM

NOTE: For an explanation of the tabulated material found on this page and for impeller key location, refer to **Supplement A** located at the beginning of this section.

BERKELEY® B2-1/2TPM

Bronze Impeller

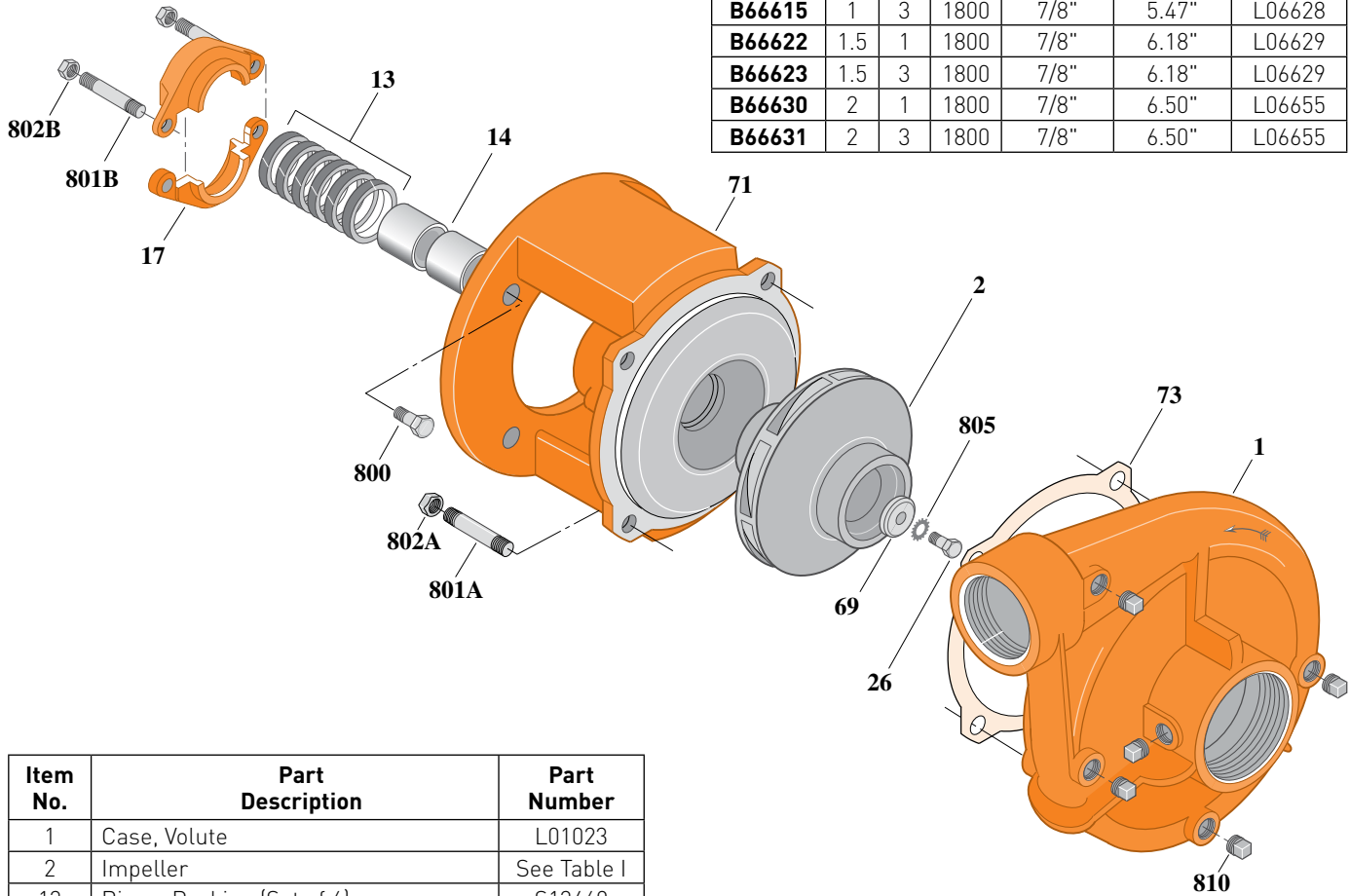
Threaded Case (NPT), Packing Construction

ELECTRIC MOTOR DRIVE

Section	CC
Page	120.6
Date	March 4, 2013
Supersedes 01/01/04	

Table I

B/M No.	HP	PH	RPM	"U" Dim.	Imp. Dia.	Imp. No.
B66614	1	1	1800	7/8"	5.47"	L06628
B66615	1	3	1800	7/8"	5.47"	L06628
B66622	1.5	1	1800	7/8"	6.18"	L06629
B66623	1.5	3	1800	7/8"	6.18"	L06629
B66630	2	1	1800	7/8"	6.50"	L06655
B66631	2	3	1800	7/8"	6.50"	L06655



Item No.	Part Description	Part Number
1	Case, Volute	L01023
2	Impeller	See Table I
13	Rings, Packing (Set of 6)	S13469
14	Sleeve, Shaft (2 Req.)	S00619
17	Gland, Packing	B82469
26	Screw, Impeller 3/8 - 16 x 1"	S23566
32	Key, 3/16 x 1-1/4" (See Note)	S34383
69	Washer, Impeller	S06314
71	Bracket	See Table II
73	Gasket, Volute	S04757
800	Capscrew, 3/8 - 16 x 7/8" (4 Req.)	S26825
801A	Stud, 1/2 - 13 x 1-1/2" (4 Req.)	S24043
801B	Stud, 3/8 - 16 x 4" (2 Req.)	S08303
802A	Nut, Hex 1/2 - 13 (4 Req.)	S23107
802B	Nut, Hex 3/8 - 16 (2 Req.)	S23343
805	Washer, Lock	S23036
810	Plug, Pipe 1/4 NPT (5 Req.)	S23715

Table II

HP	PH	Bracket No.	"AK" Fit	"U" Dim.	Motor Frame
1	1	L01525	4-1/2"	7/8"	143JP
1	3	L01525	4-1/2"	7/8"	143JP
1.5	1	L01525	4-1/2"	7/8"	145JP
1.5	3	L01525	4-1/2"	7/8"	145JP
2	1	L01525	4-1/2"	7/8"	182JP
2	3	L01525	4-1/2"	7/8"	145JP

NOTE: For an explanation of the tabulated material found on this page and for impeller key location, refer to **Supplement A** located at the beginning of this section.



BERKELEY® B2-1/2TPM

Bronze Impeller

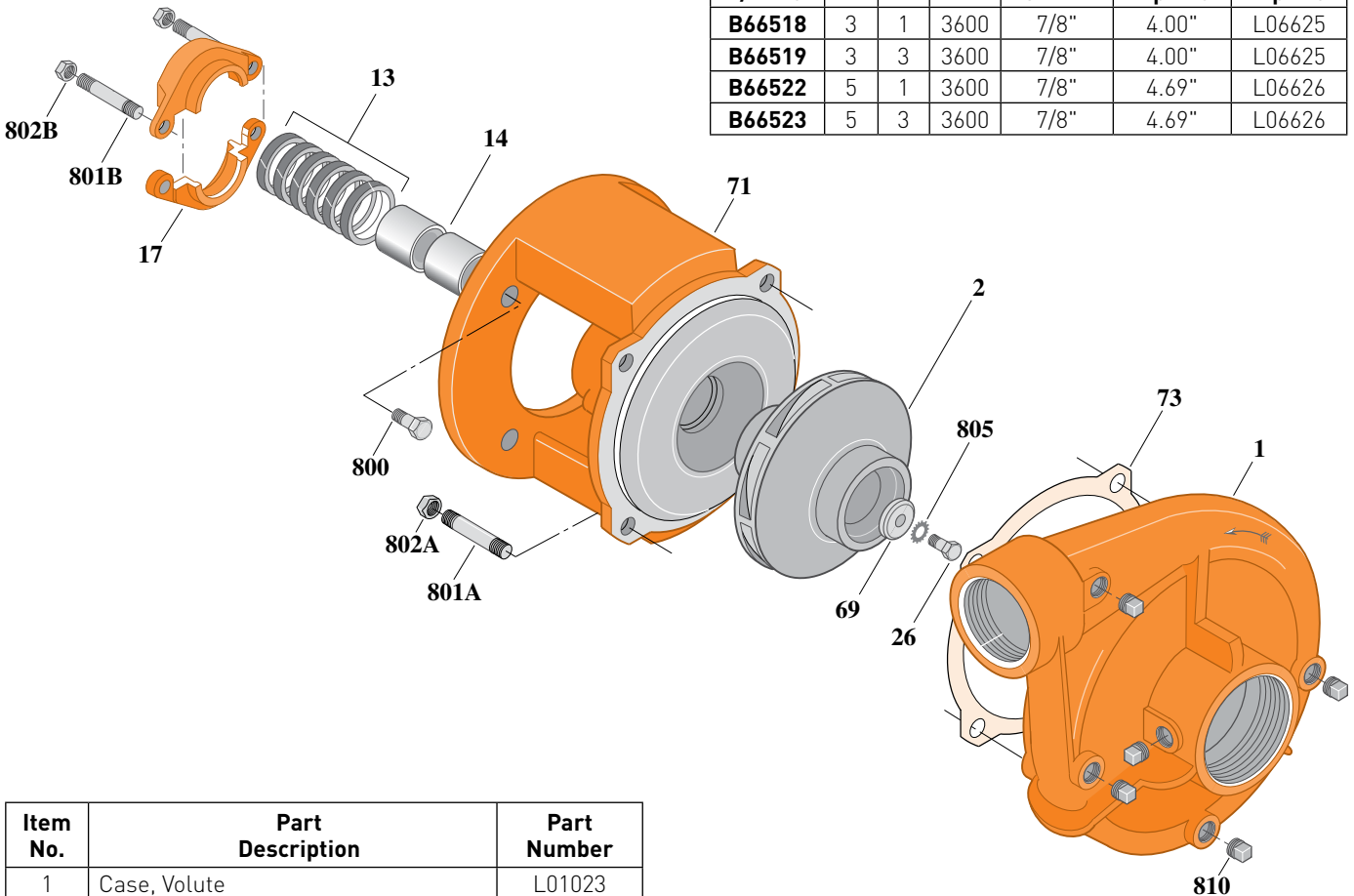
Threaded Case (NPT), Packing Construction

ELECTRIC MOTOR DRIVE

Section	CC
Page	120.7
Date	March 4, 2013
Supersedes 01/01/04	

Table I

B/M No.	HP	PH	RPM	"U" Dim.	Imp. Dia.	Imp. No.
B66518	3	1	3600	7/8"	4.00"	L06625
B66519	3	3	3600	7/8"	4.00"	L06625
B66522	5	1	3600	7/8"	4.69"	L06626
B66523	5	3	3600	7/8"	4.69"	L06626



1720A 0495

Item No.	Part Description	Part Number
1	Case, Volute	L01023
2	Impeller	See Table I
13	Rings, Packing (Set of 6)	S13469
14	Sleeve, Shaft (2 Req.)	S00619
17	Gland, Packing	B82469
26	Screw, Impeller 3/8 - 16 x 1"	S23566
32	Key, 3/16 x 1-1/4" (See Note)	S34383
69	Washer, Impeller	S06314
71	Bracket	See Table II
73	Gasket, Volute	S04757
800	Capscrew, 3/8 - 16 x 7/8" (4 Req.)	S26825
801A	Stud, 1/2 - 13 x 1-1/2" (4 Req.)	S24043
801B	Stud, 3/8 - 16 x 4" (2 Req.)	S08303
802A	Nut, Hex 1/2 - 13 (4 Req.)	S23107
802B	Nut, Hex 3/8 - 16 (2 Req.)	S23343
805	Washer, Lock	S23036
810	Plug, Pipe 1/4 NPT (5 Req.)	S23715

Table II

HP	PH	Bracket No.	"AK" Fit	"U" Dim.	Motor Frame
3	1	L01525	4-1/2"	7/8"	182JP
3	3	L01525	4-1/2"	7/8"	145JP
5	1	L01525	4-1/2"	7/8"	184JP
5	3	L01525	4-1/2"	7/8"	182JP

NOTE: For an explanation of the tabulated material found on this page and for impeller key location, refer to **Supplement A** located at the beginning of this section.



BERKELEY® B2-1/2TPM

Bronze Impeller

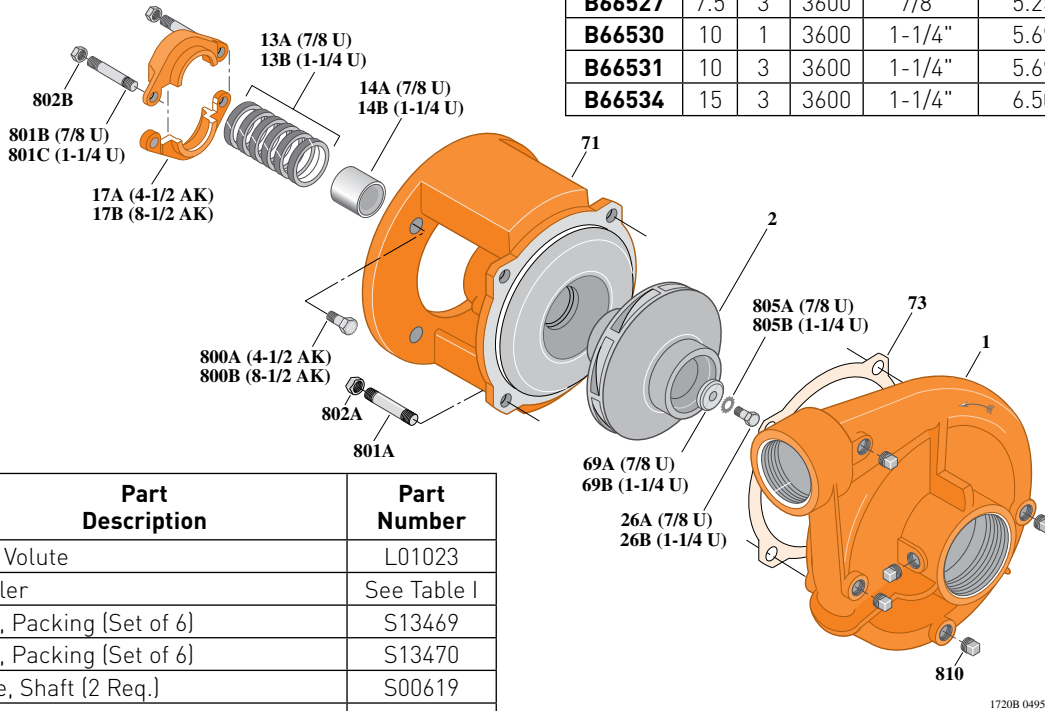
Threaded Case (NPT), Packing Construction

ELECTRIC MOTOR DRIVE

Section	CC
Page	120.8
Date	March 4, 2013
Supersedes 01/01/04	

Table I

B/M No.	HP	PH	RPM	"U" Dim.	Imp. Dia.	Imp. No.
B66526	7.5	1	3600	1-1/4"	5.25"	L06623
B66527	7.5	3	3600	7/8"	5.25"	L06627
B66530	10	1	3600	1-1/4"	5.69"	L06624
B66531	10	3	3600	1-1/4"	5.69"	L06624
B66534	15	3	3600	1-1/4"	6.50"	L06656



Item No.	Part Description	Part Number
1	Case, Volute	L01023
2	Impeller	See Table I
13A	Rings, Packing [Set of 6]	S13469
13B	Rings, Packing [Set of 6]	S13470
14A	Sleeve, Shaft [2 Req.]	S00619
14B	Sleeve, Shaft	S05149
17A	Gland, Packing	B82469
17B	Gland, Packing	B82470
26A	Screw, Impeller 3/8 - 16 x 1"	S23566
26B	Screw, Impeller 1/2 - 13 x 1"	S23619
32A	Key, 3/16 x 1-1/4" [See Note]	S34383
32B	Key, 1/4 x 2-1/4" [See Note]	S23677
69A	Washer, Impeller	S06314
69B	Washer, Impeller	S06319
71	Bracket	See Table II
73	Gasket, Volute	S04757
800A	Capscrew, 3/8 - 16 x 7/8" [4 Req.]	S26825
800B	Capscrew, 1/2 - 13 x 1" [4 Req.]	S26912
801A	Stud, 1/2 - 13 x 1-1/2" [4 Req.]	S24043
801B	Stud, 3/8 - 16 x 4" [2 Req.]	S08303
801C	Stud, 3/8 - 16 x 3-1/2" [2 Req.]	S04441
802A	Nut, Hex 1/2 - 13 [4 Req.]	S23107
802B	Nut, Hex 3/8 - 16 [2 Req.]	S23343
805A	Washer, Lock	S23036
805B	Washer, Lock	S23038
810	Plug, Pipe 1/4 NPT [5 Req.]	S23715

Table II

HP	PH	Bracket No.	"AK" Fit	"U" Dim.	Motor Frame
7.5	1	L01951	8-1/2"	1-1/4"	213JP
7.5	3	L01525	4-1/2"	7/8"	184JP
10	1	L01951	8-1/2"	1-1/4"	215JP
10	3	L01951	8-1/2"	1-1/4"	213JP
15	3	L01951	8-1/2"	1-1/4"	215JP

NOTE: For an explanation of the tabulated material found on this page and for impeller key location, refer to **Supplement A** located at the beginning of this section.



BERKELEY® B2-1/2TPMS

Bronze Impeller

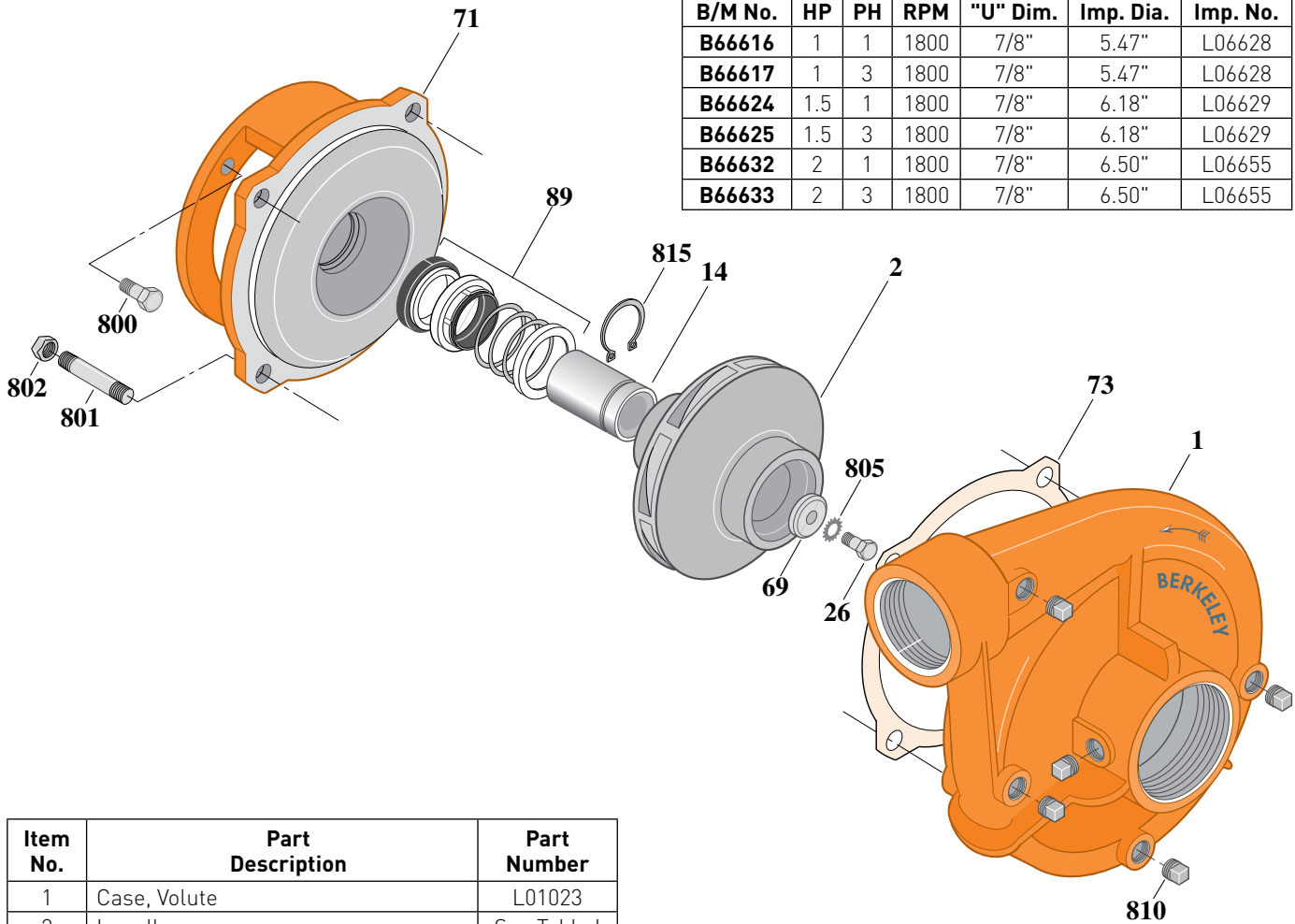
Threaded Case (NPT), Mechanical Shaft Seal Construction

ELECTRIC MOTOR DRIVE

Section	CC
Page	120.9
Date	March 4, 2013
Supersedes 01/01/04	

Table I

B/M No.	HP	PH	RPM	"U" Dim.	Imp. Dia.	Imp. No.
B66616	1	1	1800	7/8"	5.47"	L06628
B66617	1	3	1800	7/8"	5.47"	L06628
B66624	1.5	1	1800	7/8"	6.18"	L06629
B66625	1.5	3	1800	7/8"	6.18"	L06629
B66632	2	1	1800	7/8"	6.50"	L06655
B66633	2	3	1800	7/8"	6.50"	L06655



Item No.	Part Description	Part Number
1	Case, Volute	L01023
2	Impeller	See Table I
14	Sleeve, Shaft	S19310L
26	Screw, Impeller 3/8 - 16 x 1"	S23566
32	Key, 3/16 x 1-1/4" (See Note)	S34383
69	Washer, Impeller	S06314
71	Bracket	See Table II
73	Gasket, Volute	S04757
89	Seal, Mechanical Shaft	S32014
800	Capscrew, 3/8 - 16 x 1" (4 Req.) (For 4-1/2 AK)	S26826
801	Stud, 1/2 - 13 x 1-1/2" (4 Req.)	S24043
802	Nut, 1/2 - 13 (4 Req.)	S23107
805	Washer, Lock	S23036
810	Plug, Pipe 1/4 NPT (5 Req.)	S23715
815	Ring, Retaining	S11207

Table II

HP	PH	Bracket No.	"AK" Fit	"U" Dim.	Motor Frame
1	1	L05329	4-1/2"	7/8"	143JM
1	3	L05329	4-1/2"	7/8"	143JM
1.5	1	L05329	4-1/2"	7/8"	145JM
1.5	3	L05329	4-1/2"	7/8"	145JM
2	1	L05329	4-1/2"	7/8"	182JM
2	3	L05329	4-1/2"	7/8"	145JM

NOTE: For an explanation of the tabulated material found on this page and for impeller key location, refer to **Supplement A** located at the beginning of this section.



BERKELEY® B2-1/2TPMS

ELECTRIC MOTOR DRIVE

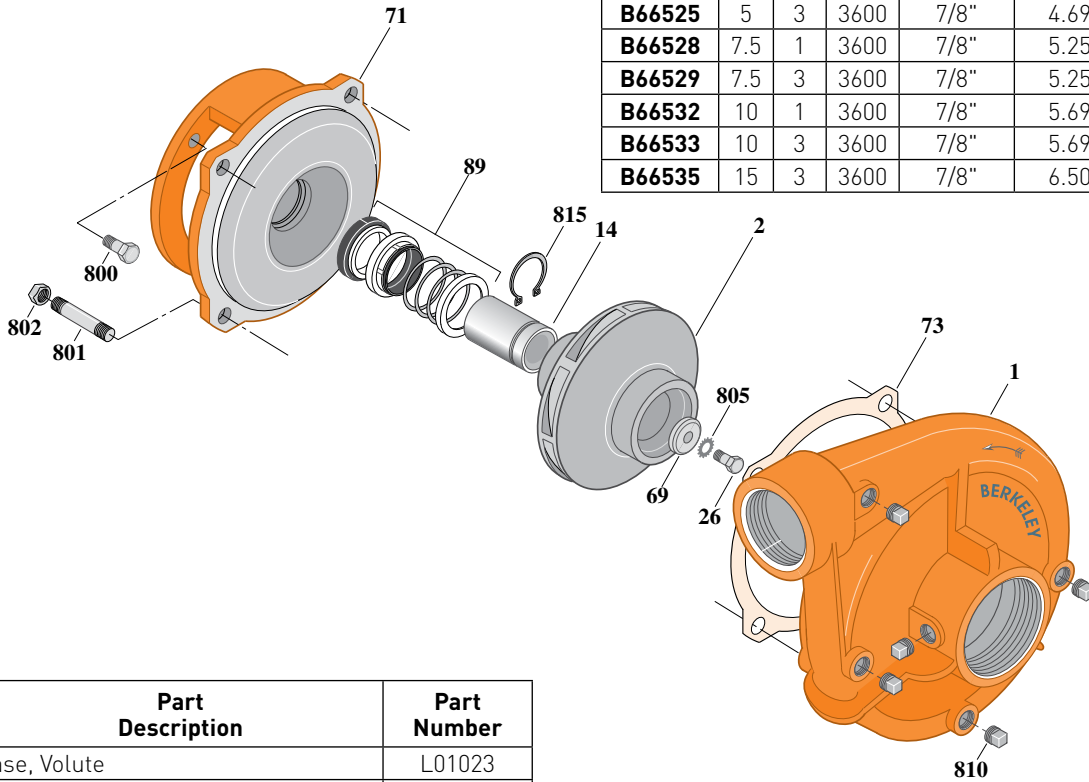
Bronze Impeller

Threaded Case (NPT), Mechanical Shaft Seal Construction

Section	CC
Page	120.10
Date	March 4, 2013
Supersedes 01/01/04	

Table I

B/M No.	HP	PH	RPM	"U" Dim.	Imp. Dia.	Imp. No.
B66520	3	1	3600	7/8"	4.00"	L06625
B66521	3	3	3600	7/8"	4.00"	L06625
B66524	5	1	3600	7/8"	4.69"	L06626
B66525	5	3	3600	7/8"	4.69"	L06626
B66528	7.5	1	3600	7/8"	5.25"	L06627
B66529	7.5	3	3600	7/8"	5.25"	L06627
B66532	10	1	3600	7/8"	5.69"	L06641
B66533	10	3	3600	7/8"	5.69"	L06641
B66535	15	3	3600	7/8"	6.50"	L06655



Item No.	Part Description	Part Number
1	Case, Volute	L01023
2	Impeller	See Table I
14	Sleeve, Shaft	S19310L
26	Screw, Impeller 3/8 - 16 x 1"	S23566
32	Key, 3/16 x 1-1/4" [See Note]	S34383
69	Washer, Impeller	S06314
71	Bracket	See Table II
73	Gasket, Volute	S04757
89	Seal, Mechanical Shaft	S32014
800	Capscrew, 3/8 - 16 x 1" [4 Req.] [For 4-1/2 AK]	S26826
800	Capscrew, 1/2 - 13 x 1" [4 Req.] [For 8-1/2 AK]	S26912
801	Stud, 1/2 - 13 x 1-1/2" [4 Req.]	S24043
802	Nut, 1/2 - 13 [4 Req.]	S23107
805	Washer, Lock	S23036
810	Plug, Pipe 1/4 NPT [5 Req.]	S23715
815	Ring, Retaining	S11207

Table II

HP	PH	Bracket No.	"AK" Fit	"U" Dim.	Motor Frame
3	1	L05329	4-1/2"	7/8"	182JM
3	3	L05329	4-1/2"	7/8"	145JM
5	1	L05329	4-1/2"	7/8"	184JM
5	3	L05329	4-1/2"	7/8"	182JM
7.5	1	L05328	8-1/2"	7/8"	213JM
7.5	3	L05329	4-1/2"	7/8"	184JM
10	1	L05328	8-1/2"	7/8"	215JM
10	3	L05328	8-1/2"	7/8"	213JM
15	3	L05328	8-1/2"	7/8"	215JM

NOTE: For an explanation of the tabulated material found on this page and for impeller key location, refer to **Supplement A** located at the beginning of this section.

BERKELEY® B2-1/2TPM

Silicon Bronze Impeller

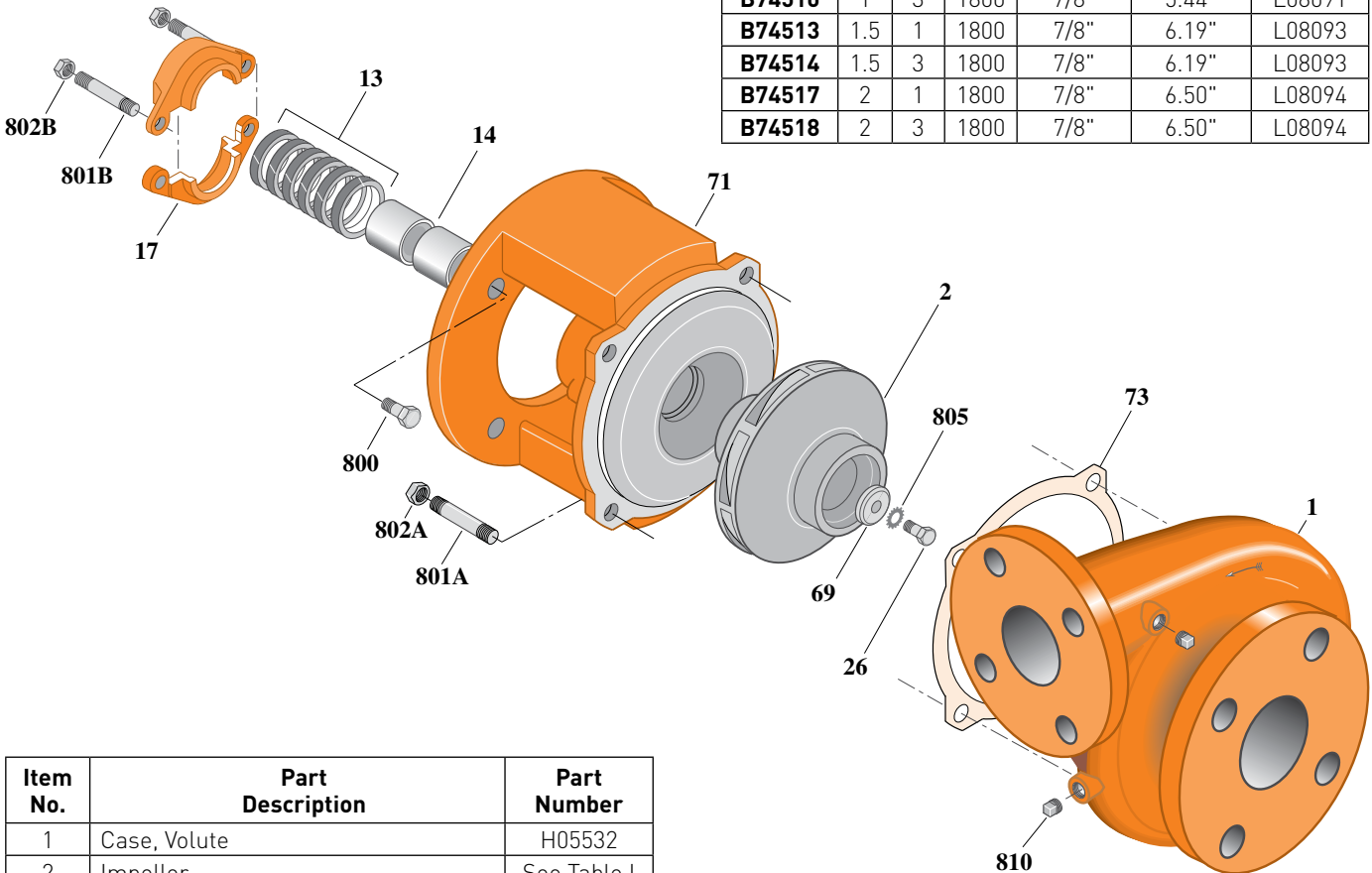
Flanged Case, Packing Construction

ELECTRIC MOTOR DRIVE

Section	CC
Page	120.11
Date	March 4, 2013
Supersedes 01/01/04	

Table I

B/M No.	HP	PH	RPM	"U" Dim.	Imp. Dia.	Imp. No.
B74509	1	1	1800	7/8"	5.44"	L08091
B74510	1	3	1800	7/8"	5.44"	L08091
B74513	1.5	1	1800	7/8"	6.19"	L08093
B74514	1.5	3	1800	7/8"	6.19"	L08093
B74517	2	1	1800	7/8"	6.50"	L08094
B74518	2	3	1800	7/8"	6.50"	L08094



1721B 0497

Item No.	Part Description	Part Number
1	Case, Volute	H05532
2	Impeller	See Table I
13	Rings, Packing (Set of 6)	S13469
14	Sleeve, Shaft (2 Req.)	S00619
17	Gland, Packing	B82469
26	Screw, Impeller 3/8 - 16 x 1"	S23566
32	Key, 3/16 x 1-1/4" (See Note)	S34383
69	Washer, Impeller	S06314
71	Bracket	See Table II
73	Gasket, Volute	S04757
800	Capscrew, 3/8 - 16 x 7/8" (4 Req.)	S26825
801A	Stud, 1/2 - 13 x 1-1/2" (4 Req.)	S24043
801B	Stud, 3/8 - 16 x 4" (2 Req.)	S08303
802A	Nut, Hex 1/2 - 13 (4 Req.)	S23107
802B	Nut, Hex 3/8 - 16 (2 Req.)	S23343
805	Washer, Lock	S23036
810	Plug, Pipe 1/4" NPT (4 Req.)	S23715

Table II

HP	PH	Bracket No.	"AK" Fit	"U" Dim.	Motor Frame
1	1	L01525	4-1/2"	7/8"	143JP
1	3	L01525	4-1/2"	7/8"	143JP
1.5	1	L01525	4-1/2"	7/8"	145JP
1.5	3	L01525	4-1/2"	7/8"	145JP
2	1	L01525	4-1/2"	7/8"	182JP
2	3	L01525	4-1/2"	7/8"	145JP

NOTE: For an explanation of the tabulated material found on this page and for impeller key location, refer to **Supplement A** located at the beginning of this section.



BERKELEY® B2-1/2TPM

Silicon Bronze Impeller

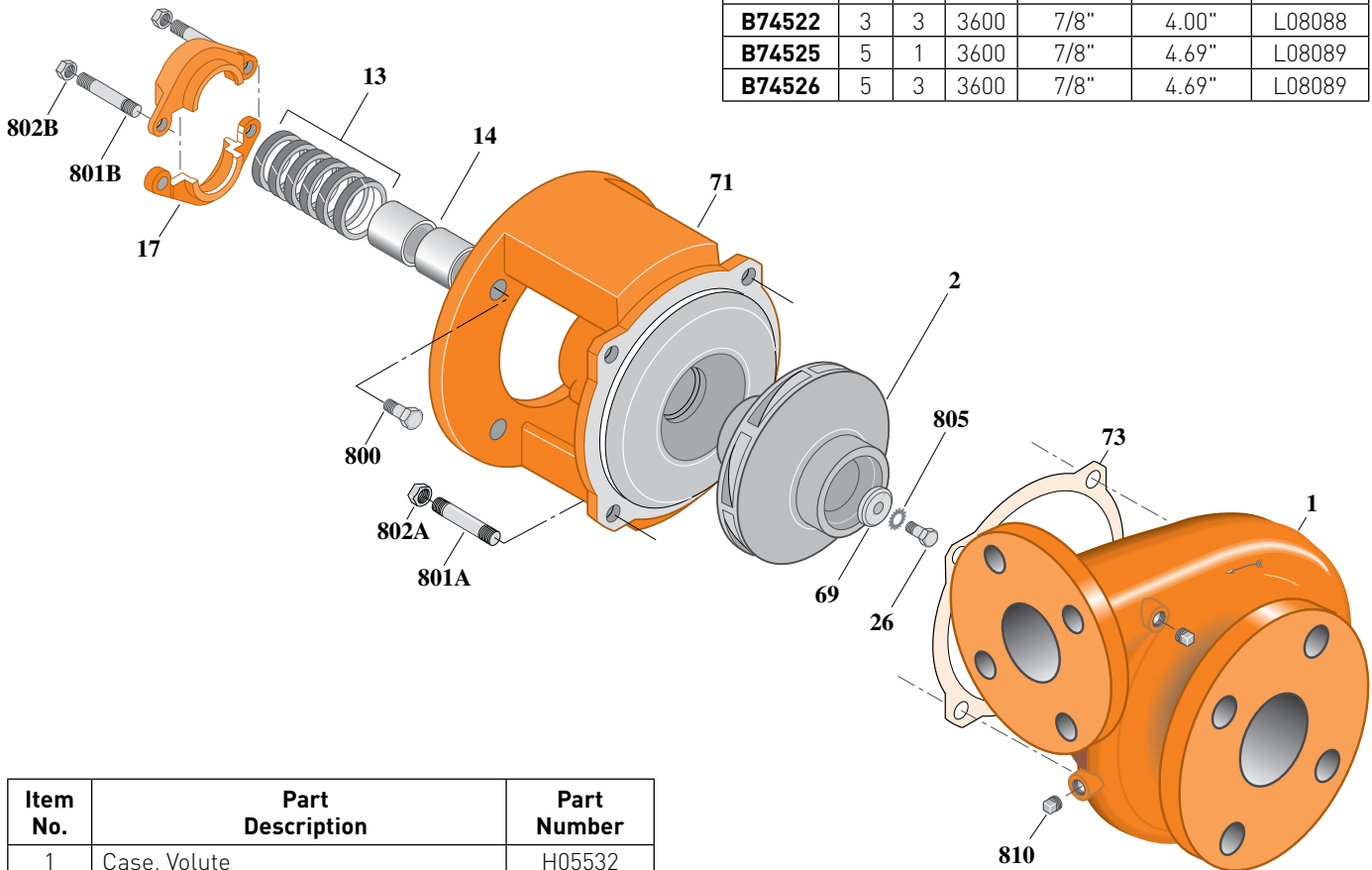
Flanged Case, Packing Construction

ELECTRIC MOTOR DRIVE

Section	CC
Page	120.12
Date	March 4, 2013
Supersedes 01/01/04	

Table I

B/M No.	HP	PH	RPM	"U" Dim.	Imp. Dia.	Imp. No.
B74521	3	1	3600	7/8"	4.00"	L08088
B74522	3	3	3600	7/8"	4.00"	L08088
B74525	5	1	3600	7/8"	4.69"	L08089
B74526	5	3	3600	7/8"	4.69"	L08089



1720C 0497

Item No.	Part Description	Part Number
1	Case, Volute	H05532
2	Impeller	See Table I
13	Rings, Packing (Set of 6)	S13469
14	Sleeve, Shaft (2 Req.)	S00619
17	Gland, Packing	B82469
26	Screw, Impeller 3/8 - 16 x 1"	S23566
32	Key, 3/16 x 1-1/4" (See Note)	S34383
69	Washer, Impeller	S06314
71	Bracket	See Table II
73	Gasket, Volute	S04757
800	Capscrew, 3/8 - 16 x 7/8" (4 Req.)	S26825
801A	Stud, 1/2 - 13 x 1-1/2" (4 Req.)	S24043
801B	Stud, 3/8 - 16 x 4" (2 Req.)	S08303
802A	Nut, Hex 1/2 - 13 (4 Req.)	S23107
802B	Nut, Hex 3/8 - 16 (2 Req.)	S23343
805	Washer, Lock	S23036
810	Plug, Pipe 1/4" NPT (4 Req.)	S23715

Table II

HP	PH	Bracket No.	"AK" Fit	"U" Dim.	Motor Frame
3	1	L01525	4-1/2"	7/8"	182JP
3	3	L01525	4-1/2"	7/8"	145JP
5	1	L01525	4-1/2"	7/8"	184JP
5	3	L01525	4-1/2"	7/8"	182JP

NOTE: For an explanation of the tabulated material found on this page and for impeller key location, refer to **Supplement A** located at the beginning of this section.



BERKELEY® B2-1/2TPM

Silicon Bronze Impeller

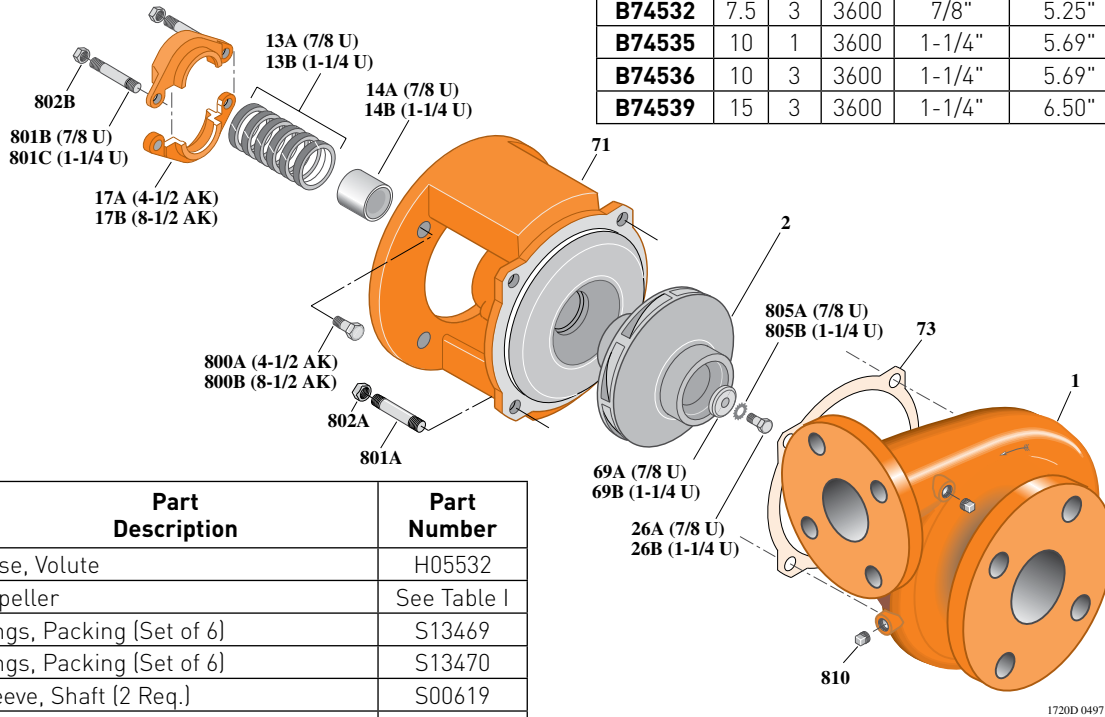
Flanged Case, Packing Construction

ELECTRIC MOTOR DRIVE

Section	CC
Page	120.13
Date	March 4, 2013
Supersedes 01/01/04	

Table I

B/M No.	HP	PH	RPM	"U" Dim.	Imp. Dia.	Imp. No.
B74529	7.5	1	3600	1-1/4"	5.25"	L08085
B74532	7.5	3	3600	7/8"	5.25"	L08090
B74535	10	1	3600	1-1/4"	5.69"	L08086
B74536	10	3	3600	1-1/4"	5.69"	L08086
B74539	15	3	3600	1-1/4"	6.50"	L08087



Item No.	Part Description	Part Number
1	Case, Volute	H05532
2	Impeller	See Table I
13A	Rings, Packing [Set of 6]	S13469
13B	Rings, Packing [Set of 6]	S13470
14A	Sleeve, Shaft [2 Req.]	S00619
14B	Sleeve, Shaft	S05149
17A	Gland, Packing	B82469
17B	Gland, Packing	B82470
26A	Screw, Impeller 3/8 - 16 x 1"	S23566
26B	Screw, Impeller 1/2 - 13 x 1"	S23619
32A	Key, 3/16 x 1-1/4" [See Note]	S34383
32B	Key, 1/4 x 2-1/4" [See Note]	S23677
69A	Washer, Impeller	S06314
69B	Washer, Impeller	S06319
71	Bracket	See Table II
73	Gasket, Volute	S04757
800A	Capscrew, 3/8 - 16 x 7/8" [4 Req.]	S26825
800B	Capscrew, 1/2 - 13 x 1" [4 Req.]	S26912
801A	Stud, 1/2 - 13 x 1-1/2" [4 Req.]	S24043
801B	Stud, 3/8 - 16 x 4" [2 Req.]	S08303
801C	Stud, 3/8 - 16 x 3-1/2" [2 Req.]	S04441
802A	Nut, Hex 1/2 - 13 [4 Req.]	S23107
802B	Nut, Hex 3/8 - 16 [2 Req.]	S23343
805A	Washer, Lock	S23036
805B	Washer, Lock	S23038
810	Plug, Pipe 1/4" NPT [4 Req.]	S23715

Table II

HP	PH	Bracket No.	"AK" Fit	"U" Dim.	Motor Frame
7.5	1	L01951	8-1/2"	1-1/4"	213JP
7.5	3	L01525	4-1/2"	7/8"	184JP
10	1	L01951	8-1/2"	1-1/4"	215JP
10	3	L01951	8-1/2"	1-1/4"	213JP
15	3	L01951	8-1/2"	1-1/4"	215JP

NOTE: For an explanation of the tabulated material found on this page and for impeller key location, refer to **Supplement A** located at the beginning of this section.

BERKELEY® B2-1/2TPMS Silicon Bronze Impeller

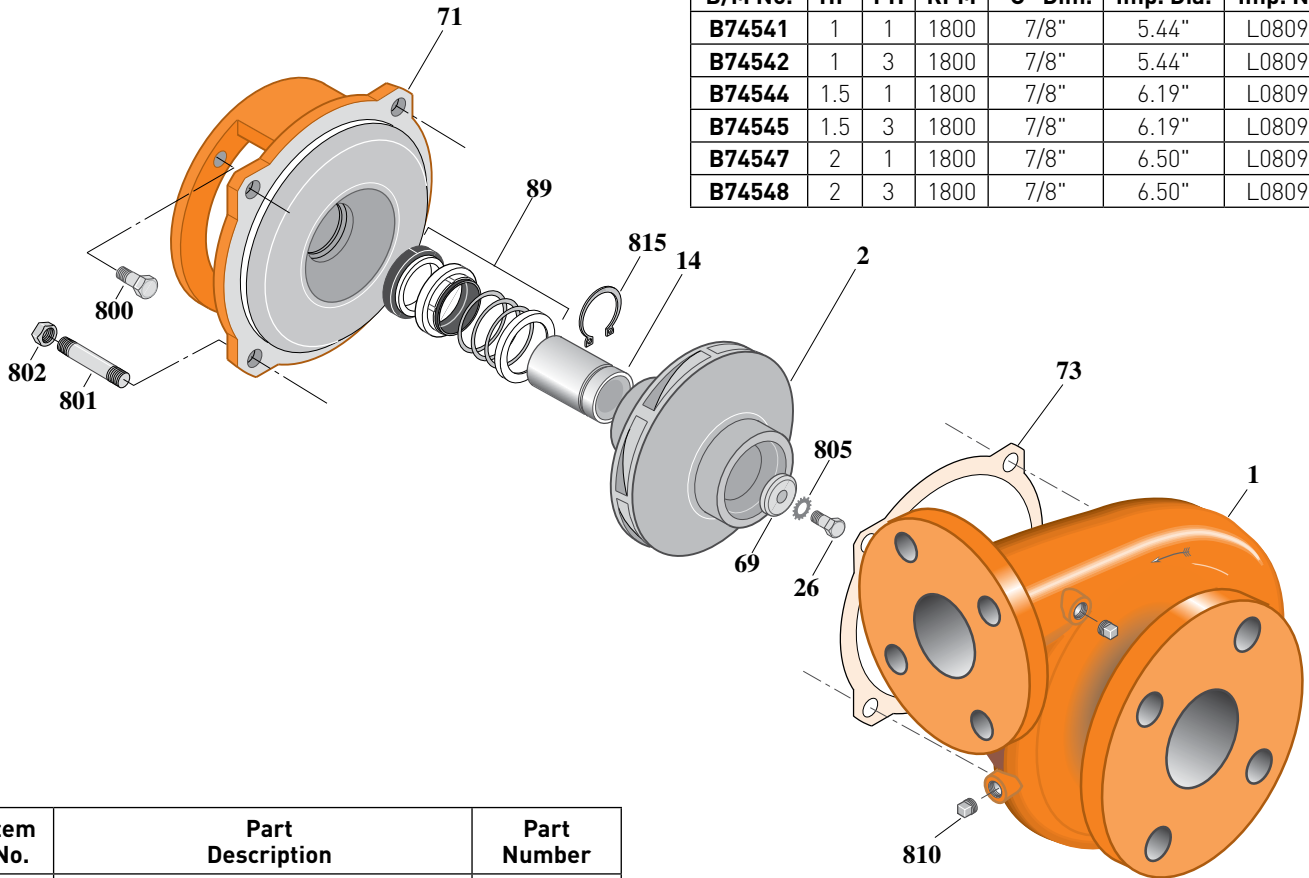
Flanged Case, Mechanical Shaft Seal Construction

ELECTRIC MOTOR DRIVE

Section	CC
Page	120.14
Date	March 4, 2013
Supersedes 01/01/04	

Table I

B/M No.	HP	PH	RPM	"U" Dim.	Imp. Dia.	Imp. No.
B74541	1	1	1800	7/8"	5.44"	L08091
B74542	1	3	1800	7/8"	5.44"	L08091
B74544	1.5	1	1800	7/8"	6.19"	L08093
B74545	1.5	3	1800	7/8"	6.19"	L08093
B74547	2	1	1800	7/8"	6.50"	L08094
B74548	2	3	1800	7/8"	6.50"	L08094



1480B 0497

Item No.	Part Description	Part Number
1	Case, Volute	H05532
2	Impeller	See Table I
14	Sleeve, Shaft	S19310L
26	Screw, Impeller 3/8 - 16 x 1"	S23566
32	Key, 3/16 x 1-1/4" [See Note]	S34383
69	Washer, Impeller	S06314
71	Bracket	See Table II
73	Gasket, Volute	S04757
89	Seal, Mechanical Shaft	S32014
800	Capscrew, 3/8 - 16 x 1" (4 Req.)	S26826
801	Stud, 1/2 - 13 x 1-1/2" (4 Req.)	S24043
802	Nut, 1/2 - 13 (4 Req.)	S23107
805	Washer, Lock	S23036
810	Plug, Pipe 1/4" NPT (4 Req.)	S23715
815	Ring, Retaining	S11207
•	Plug, Pipe 1/8" NPT (In Bracket)	S23714

• Not illustrated.

Table II

HP	PH	Bracket No.	"AK" Fit	"U" Dim.	Motor Frame
1	1	L05329	4-1/2"	7/8"	143JM
1	3	L05329	4-1/2"	7/8"	143JM
1.5	1	L05329	4-1/2"	7/8"	145JM
1.5	3	L05329	4-1/2"	7/8"	145JM
2	1	L05329	4-1/2"	7/8"	182JM
2	3	L05329	4-1/2"	7/8"	145JM

NOTE 1: For an explanation of the tabulated material found on this page and for impeller key location, refer to **Supplement A** located at the beginning of this section.

NOTE 2: For seal flush line details, see **Supplement D**.



BERKELEY® B2-1/2TPMS

Silicon Bronze Impeller

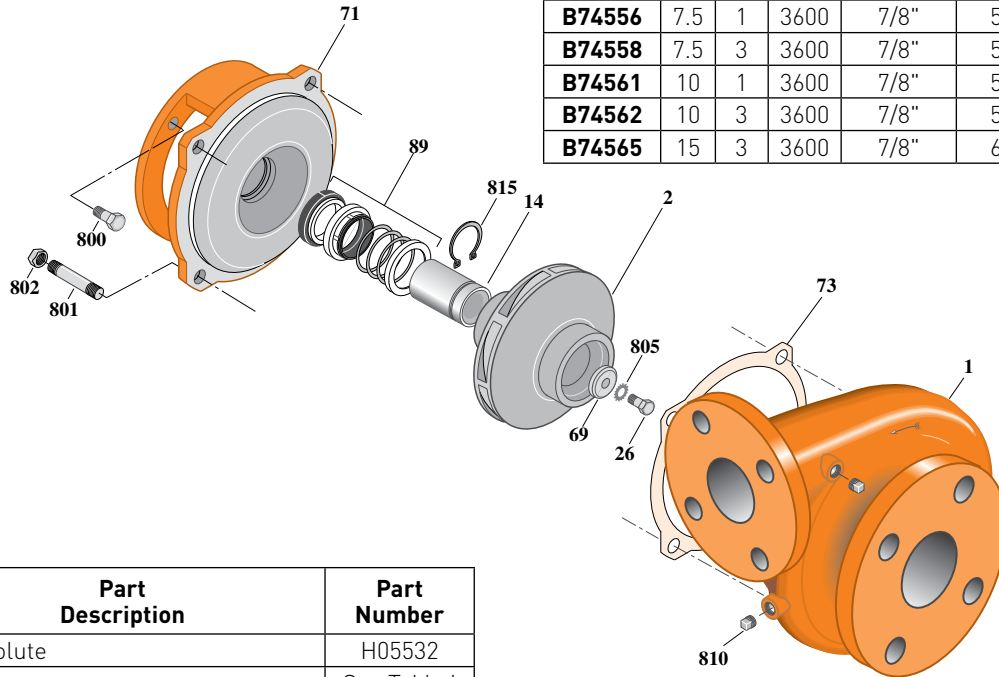
Flanged Case, Mechanical Shaft Seal Construction

ELECTRIC MOTOR DRIVE

Section	CC
Page	120.15
Date	March 4, 2013
Supersedes 01/01/04	

Table I

B/M No.	HP	PH	RPM	"U" Dim.	Imp. Dia.	Imp. No.
B74550	3	1	3600	7/8"	4.00"	L08088
B74551	3	3	3600	7/8"	4.00"	L08088
B74553	5	1	3600	7/8"	4.69"	L08089
B74554	5	3	3600	7/8"	4.69"	L08089
B74556	7.5	1	3600	7/8"	5.25"	L08090
B74558	7.5	3	3600	7/8"	5.25"	L08090
B74561	10	1	3600	7/8"	5.69"	L08092
B74562	10	3	3600	7/8"	5.69"	L08092
B74565	15	3	3600	7/8"	6.50"	L08094



1480B 0497

Item No.	Part Description	Part Number
1	Case, Volute	H05532
2	Impeller	See Table I
14	Sleeve, Shaft	S19310L
26	Screw, Impeller 3/8 - 16 x 1"	S23566
32	Key, 3/16 x 1-1/4" [See Note]	S34383
69	Washer, Impeller	S06314
71	Bracket	See Table II
73	Gasket, Volute	S04757
89	Seal, Mechanical Shaft	S32014
800	Capscrew, 3/8 - 16 x 1" (4 Req.) (For 4-1/2 AK)	S26826
800	Capscrew, 1/2 - 13 x 1" (4 Req.) (For 8-1/2 AK)	S26912
801	Stud, 1/2 - 13 x 1-1/2" (4 Req.)	S24043
802	Nut, 1/2 - 13 (4 Req.)	S23107
805	Washer, Lock	S23036
810	Plug, Pipe 1/4" NPT (4 Req.)	S23715
815	Ring, Retaining	S11207
•	Plug, Pipe 1/8" NPT (In Bracket)	S23714

• Not illustrated.

Table II

HP	PH	Bracket No.	"AK" Fit	"U" Dim.	Motor Frame
3	1	L05329	4-1/2"	7/8"	182JM
3	3	L05329	4-1/2"	7/8"	145JM
5	1	L05329	4-1/2"	7/8"	184JM
5	3	L05329	4-1/2"	7/8"	182JM
7.5	1	L05328	8-1/2"	7/8"	213JM
7.5	3	L05329	4-1/2"	7/8"	184JM
10	1	L05328	8-1/2"	7/8"	215JM
10	3	L05328	8-1/2"	7/8"	213JM
15	3	L05328	8-1/2"	7/8"	215JM

NOTE 1: For an explanation of the tabulated material found on this page and for impeller key location, refer to **Supplement A** located at the beginning of this section.

NOTE 2: For seal flush line details, see **Supplement D**.



BERKELEY® B2-1/2TPM

Silicon Bronze Impeller

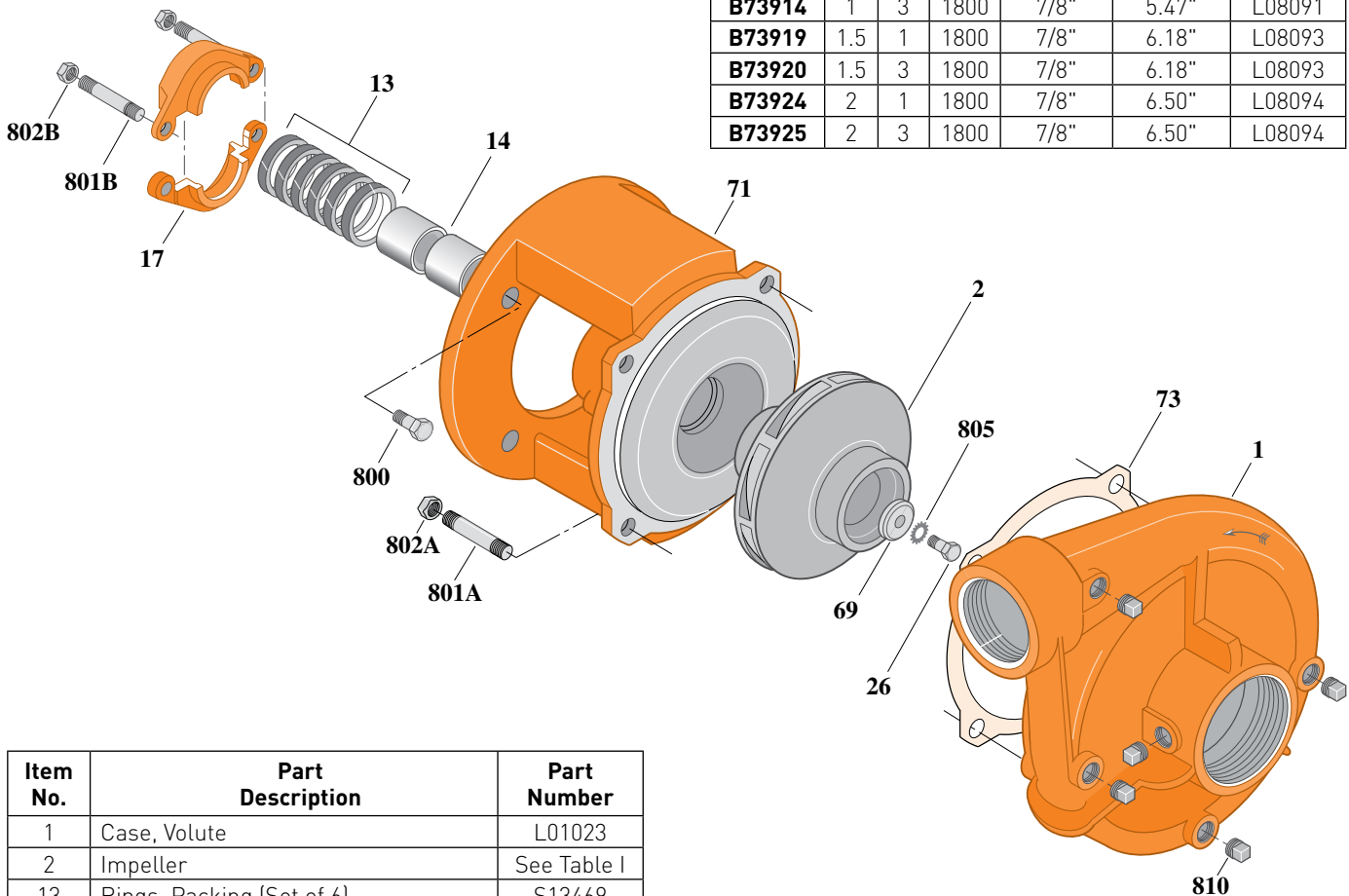
Threaded Case (NPT), Packing Construction

ELECTRIC MOTOR DRIVE

Section	CC
Page	120.16
Date	March 4, 2013
Supersedes 01/01/04	

Table I

B/M No.	HP	PH	RPM	"U" Dim.	Imp. Dia.	Imp. No.
B73913	1	1	1800	7/8"	5.47"	L08091
B73914	1	3	1800	7/8"	5.47"	L08091
B73919	1.5	1	1800	7/8"	6.18"	L08093
B73920	1.5	3	1800	7/8"	6.18"	L08093
B73924	2	1	1800	7/8"	6.50"	L08094
B73925	2	3	1800	7/8"	6.50"	L08094



Item No.	Part Description	Part Number
1	Case, Volute	L01023
2	Impeller	See Table I
13	Rings, Packing (Set of 6)	S13469
14	Sleeve, Shaft (2 Req.)	S00619
17	Gland, Packing	B82469
26	Screw, Impeller 3/8 - 16 x 1"	S23566
32	Key, 3/16 x 1-1/4" (See Note)	S34383
69	Washer, Impeller	S06314
71	Bracket	See Table II
73	Gasket, Volute	S04757
800	Capscrew, 3/8 - 16 x 7/8" (4 Req.)	S26825
801A	Stud, 1/2 - 13 x 1-1/2" (4 Req.)	S24043
801B	Stud, 3/8 - 16 x 4" (2 Req.)	S08303
802A	Nut, Hex 1/2 - 13 (4 Req.)	S23107
802B	Nut, Hex 3/8 - 16 (2 Req.)	S23343
805	Washer, Lock	S23036
810	Plug, Pipe 1/4" NPT (5 Req.)	S23715

Table II

HP	PH	Bracket No.	"AK" Fit	"U" Dim.	Motor Frame
1	1	L01525	4-1/2"	7/8"	143JP
1	3	L01525	4-1/2"	7/8"	143JP
1.5	1	L01525	4-1/2"	7/8"	145JP
1.5	3	L01525	4-1/2"	7/8"	145JP
2	1	L01525	4-1/2"	7/8"	182JP
2	3	L01525	4-1/2"	7/8"	145JP

NOTE: For an explanation of the tabulated material found on this page and for impeller key location, refer to **Supplement A** located at the beginning of this section.



BERKELEY® B2-1/2TPM

Silicon Bronze Impeller

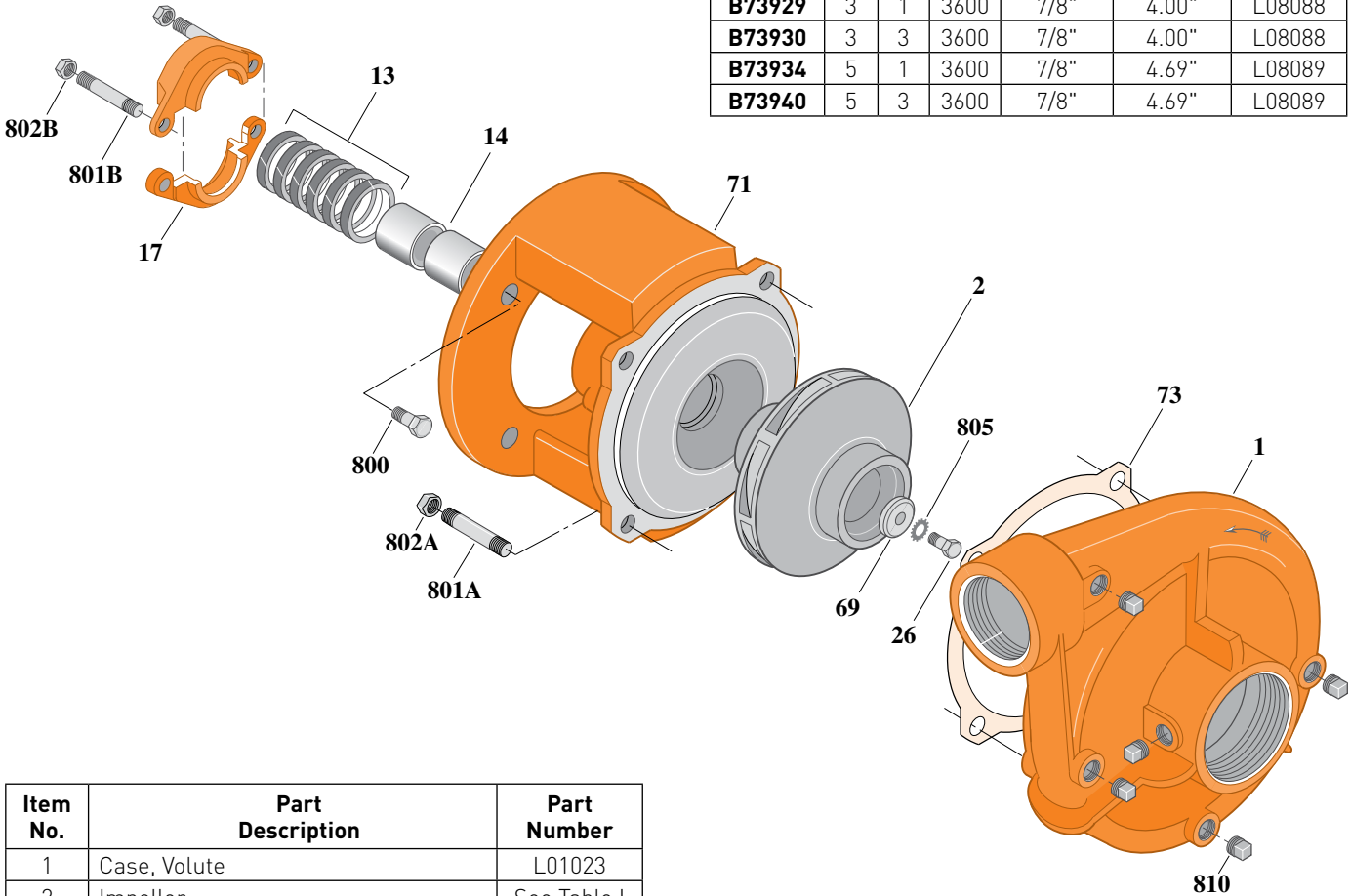
Threaded Case (NPT), Packing Construction

ELECTRIC MOTOR DRIVE

Section	CC
Page	120.17
Date	March 4, 2013
Supersedes 01/01/04	

Table I

B/M No.	HP	PH	RPM	"U" Dim.	Imp. Dia.	Imp. No.
B73929	3	1	3600	7/8"	4.00"	L08088
B73930	3	3	3600	7/8"	4.00"	L08088
B73934	5	1	3600	7/8"	4.69"	L08089
B73940	5	3	3600	7/8"	4.69"	L08089



1720A 0495

Item No.	Part Description	Part Number
1	Case, Volute	L01023
2	Impeller	See Table I
13	Rings, Packing (Set of 6)	S13469
14	Sleeve, Shaft (2 Req.)	S00619
17	Gland, Packing	B82469
26	Screw, Impeller 3/8 - 16 x 1"	S23566
32	Key, 3/16 x 1-1/4" (See Note)	S34383
69	Washer, Impeller	S06314
71	Bracket	See Table II
73	Gasket, Volute	S04757
800	Capscrew, 3/8 - 16 x 7/8" (4 Req.)	S26825
801A	Stud, 1/2 - 13 x 1-1/2" (4 Req.)	S24043
801B	Stud, 3/8 - 16 x 4" (2 Req.)	S08303
802A	Nut, Hex 1/2 - 13 (4 Req.)	S23107
802B	Nut, Hex 3/8 - 16 (2 Req.)	S23343
805	Washer, Lock	S23036
810	Plug, Pipe 1/4" NPT (5 Req.)	S23715

Table II

HP	PH	Bracket No.	"AK" Fit	"U" Dim.	Motor Frame
3	1	L01525	4-1/2"	7/8"	182JP
3	3	L01525	4-1/2"	7/8"	145JP
5	1	L01525	4-1/2"	7/8"	184JP
5	3	L01525	4-1/2"	7/8"	182JP

NOTE: For an explanation of the tabulated material found on this page and for impeller key location, refer to **Supplement A** located at the beginning of this section.



BERKELEY® B2-1/2TPM

Silicon Bronze Impeller

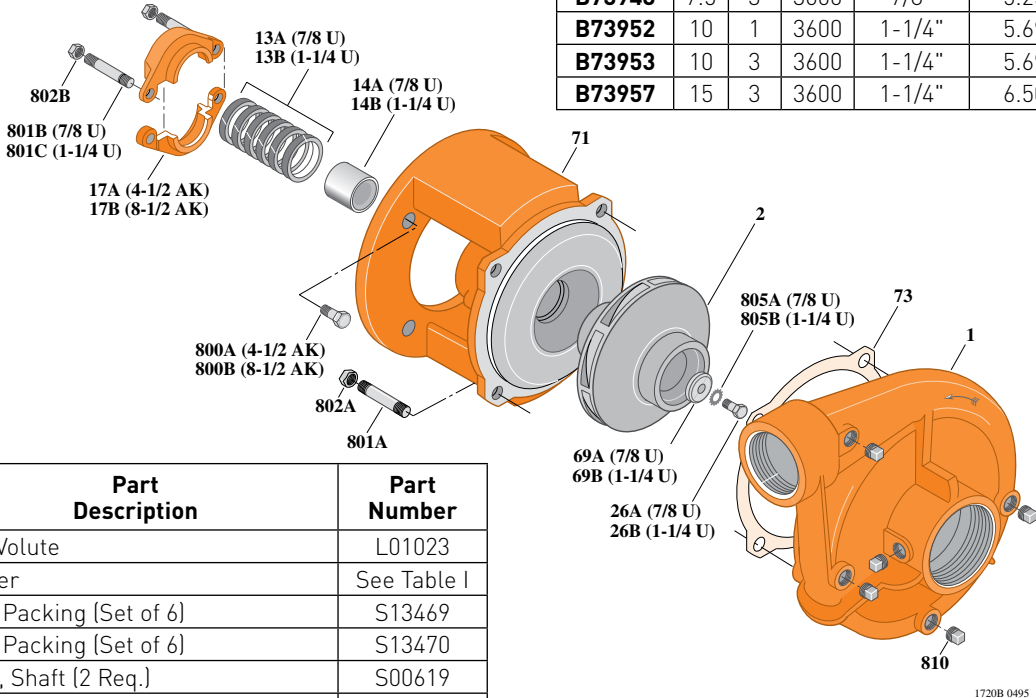
Threaded Case (NPT), Packing Construction

ELECTRIC MOTOR DRIVE

Section	CC
Page	120.18
Date	March 4, 2013
Supersedes 01/01/04	

Table I

B/M No.	HP	PH	RPM	"U" Dim.	Imp. Dia.	Imp. No.
B73944	7.5	1	3600	1-1/4"	5.25"	L08085
B73948	7.5	3	3600	7/8"	5.25"	L08090
B73952	10	1	3600	1-1/4"	5.69"	L08086
B73953	10	3	3600	1-1/4"	5.69"	L08086
B73957	15	3	3600	1-1/4"	6.50"	L08087



Item No.	Part Description	Part Number
1	Case, Volute	L01023
2	Impeller	See Table I
13A	Rings, Packing [Set of 6]	S13469
13B	Rings, Packing [Set of 6]	S13470
14A	Sleeve, Shaft [2 Req.]	S00619
14B	Sleeve, Shaft	S05149
17A	Gland, Packing	B82469
17B	Gland, Packing	B82470
26A	Screw, Impeller 3/8 - 16 x 1"	S23566
26B	Screw, Impeller 1/2 - 13 x 1"	S23619
32A	Key, 3/16 x 1-1/4" [See Note]	S34383
32B	Key, 1/4 x 2-1/4" [See Note]	S23677
69A	Washer, Impeller	S06314
69B	Washer, Impeller	S06319
71	Bracket	See Table II
73	Gasket, Volute	S04757
800A	Capscrew, 3/8 - 16 x 7/8" [4 Req.]	S26825
800B	Capscrew, 1/2 - 13 x 1" [4 Req.]	S26912
801A	Stud, 1/2 - 13 x 1-1/2" [4 Req.]	S24043
801B	Stud, 3/8 - 16 x 4" [2 Req.]	S08303
801C	Stud, 3/8 - 16 x 3-1/2" [2 Req.]	S04441
802A	Nut, Hex 1/2 - 13 [4 Req.]	S23107
802B	Nut, Hex 3/8 - 16 [2 Req.]	S23343
805A	Washer, Lock	S23036
805B	Washer, Lock	S23038
810	Plug, Pipe 1/4" NPT [5 Req.]	S23715

Table II

HP	PH	Bracket No.	"AK" Fit	"U" Dim.	Motor Frame
7.5	1	L01951	8-1/2"	1-1/4"	213JP
7.5	3	L01525	4-1/2"	7/8"	184JP
10	1	L01951	8-1/2"	1-1/4"	215JP
10	3	L01951	8-1/2"	1-1/4"	213JP
15	3	L01951	8-1/2"	1-1/4"	215JP

NOTE: For an explanation of the tabulated material found on this page and for impeller key location, refer to **Supplement A** located at the beginning of this section.



BERKELEY® B2-1/2TPMS

Silicon Bronze Impeller

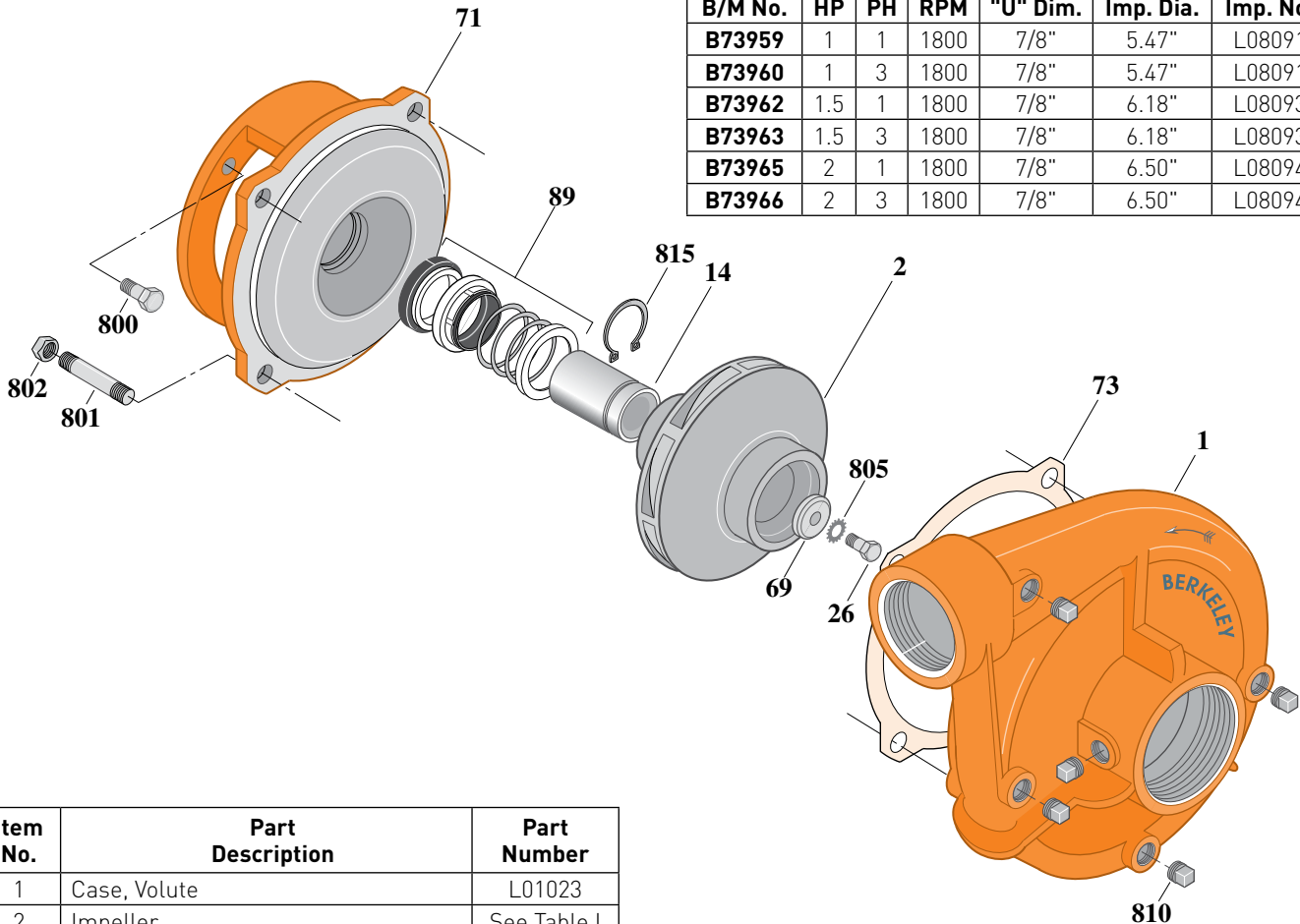
Threaded Case (NPT), Mechanical Shaft Seal Construction

ELECTRIC MOTOR DRIVE

Section	CC
Page	120.19
Date	March 4, 2013
Supersedes 01/01/04	

Table I

B/M No.	HP	PH	RPM	"U" Dim.	Imp. Dia.	Imp. No.
B73959	1	1	1800	7/8"	5.47"	L08091
B73960	1	3	1800	7/8"	5.47"	L08091
B73962	1.5	1	1800	7/8"	6.18"	L08093
B73963	1.5	3	1800	7/8"	6.18"	L08093
B73965	2	1	1800	7/8"	6.50"	L08094
B73966	2	3	1800	7/8"	6.50"	L08094



Item No.	Part Description	Part Number
1	Case, Volute	L01023
2	Impeller	See Table I
14	Sleeve, Shaft	S19310L
26	Screw, Impeller 3/8 - 16 x 1"	S23566
32	Key, 3/16 x 1-1/4" [See Note]	S34383
69	Washer, Impeller	S06314
71	Bracket	See Table II
73	Gasket, Volute	S04757
89	Seal, Mechanical Shaft	S32014
800	Capscrew, 3/8 - 16 x 1" [4 Req.]	S26826
801	Stud, 1/2 - 13 x 1-1/2" [4 Req.]	S24043
802	Nut, 1/2 - 13 [4 Req.]	S23107
805	Washer, Lock	S23036
810	Plug, Pipe 1/4" NPT [5 Req.]	S23715
815	Ring, Retaining	S11207
•	Plug, Pipe 1/8" NPT [In Bracket]	S23714

• Not illustrated.

Table II

HP	PH	Bracket No.	"AK" Fit	"U" Dim.	Motor Frame
1	1	L05329	4-1/2"	7/8"	143JM
1	3	L05329	4-1/2"	7/8"	143JM
1.5	1	L05329	4-1/2"	7/8"	145JM
1.5	3	L05329	4-1/2"	7/8"	145JM
2	1	L05329	4-1/2"	7/8"	182JM
2	3	L05329	4-1/2"	7/8"	145JM

NOTE 1: For an explanation of the tabulated material found on this page and for impeller key location, refer to **Supplement A** located at the beginning of this section.

NOTE 2: For seal flush line details, see **Supplement D**.



BERKELEY® B2-1/2TPMS

Silicon Bronze Impeller

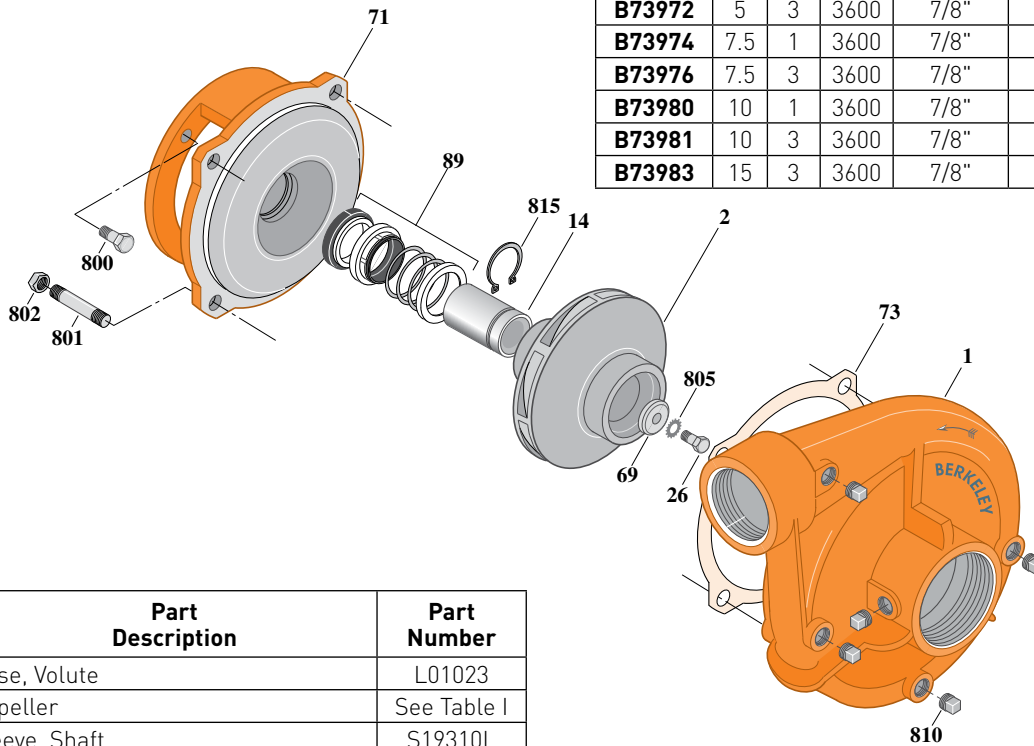
Threaded Case (NPT), Mechanical Shaft Seal Construction

ELECTRIC MOTOR DRIVE

Section	CC
Page	120.20
Date	March 4, 2013
Supersedes 01/01/04	

Table I

B/M No.	HP	PH	RPM	"U" Dim.	Imp. Dia.	Imp. No.
B73968	3	1	3600	7/8"	4.00"	L08088
B73969	3	3	3600	7/8"	4.00"	L08088
B73971	5	1	3600	7/8"	4.69"	L08089
B73972	5	3	3600	7/8"	4.69"	L08089
B73974	7.5	1	3600	7/8"	5.25"	L08090
B73976	7.5	3	3600	7/8"	5.25"	L08090
B73980	10	1	3600	7/8"	5.69"	L08092
B73981	10	3	3600	7/8"	5.69"	L08092
B73983	15	3	3600	7/8"	6.50"	L08094



Item No.	Part Description	Part Number
1	Case, Volute	L01023
2	Impeller	See Table I
14	Sleeve, Shaft	S19310L
26	Screw, Impeller 3/8 - 16 x 1"	S23566
32	Key, 3/16 x 1-1/4" [See Note]	S34383
69	Washer, Impeller	S06314
71	Bracket	See Table II
73	Gasket, Volute	S04757
89	Seal, Mechanical Shaft	S32014
800	Capscrew, 3/8 - 16 x 1" (4 Req.) (For 4-1/2 AK)	S26826
800	Capscrew, 1/2 - 13 x 1" (4 Req.) (For 8-1/2 AK)	S26912
801	Stud, 1/2 - 13 x 1-1/2" (4 Req.)	S24043
802	Nut, 1/2 - 13 (4 Req.)	S23107
805	Washer, Lock	S23036
810	Plug, Pipe 1/4" NPT (5 Req.)	S23715
815	Ring, Retaining	S11207
•	Plug, Pipe 1/8" NPT (In Bracket)	S23714

• Not illustrated.

Table II

HP	PH	Bracket No.	"AK" Fit	"U" Dim.	Motor Frame
3	1	L05329	4-1/2"	7/8"	182JM
3	3	L05329	4-1/2"	7/8"	145JM
5	1	L05329	4-1/2"	7/8"	184JM
5	3	L05329	4-1/2"	7/8"	182JM
7.5	1	L05328	8-1/2"	7/8"	213JM
7.5	3	L05329	4-1/2"	7/8"	184JM
10	1	L05328	8-1/2"	7/8"	215JM
10	3	L05328	8-1/2"	7/8"	213JM
15	3	L05328	8-1/2"	7/8"	215JM

NOTE 1: For an explanation of the tabulated material found on this page and for impeller key location, refer to **Supplement A** located at the beginning of this section.

NOTE 2: For seal flush line details, see **Supplement D**.

