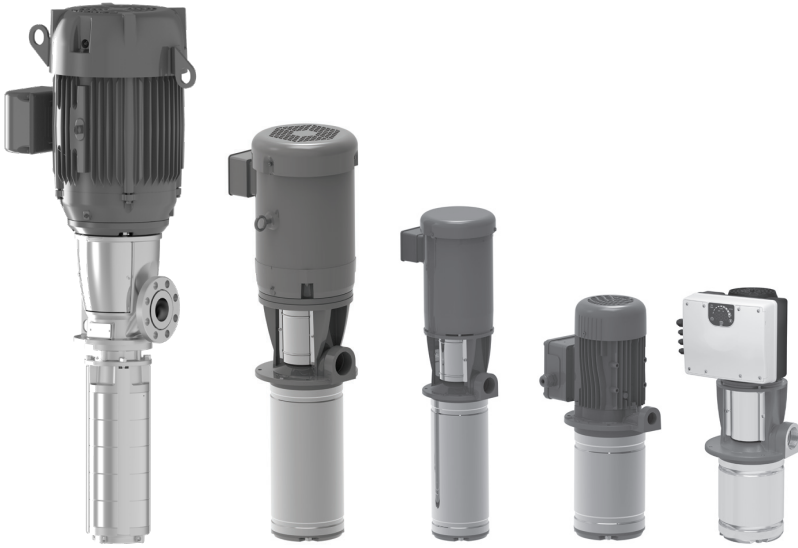


xylem
Let's Solve Water

REPAIR PARTS
ReSVI R2



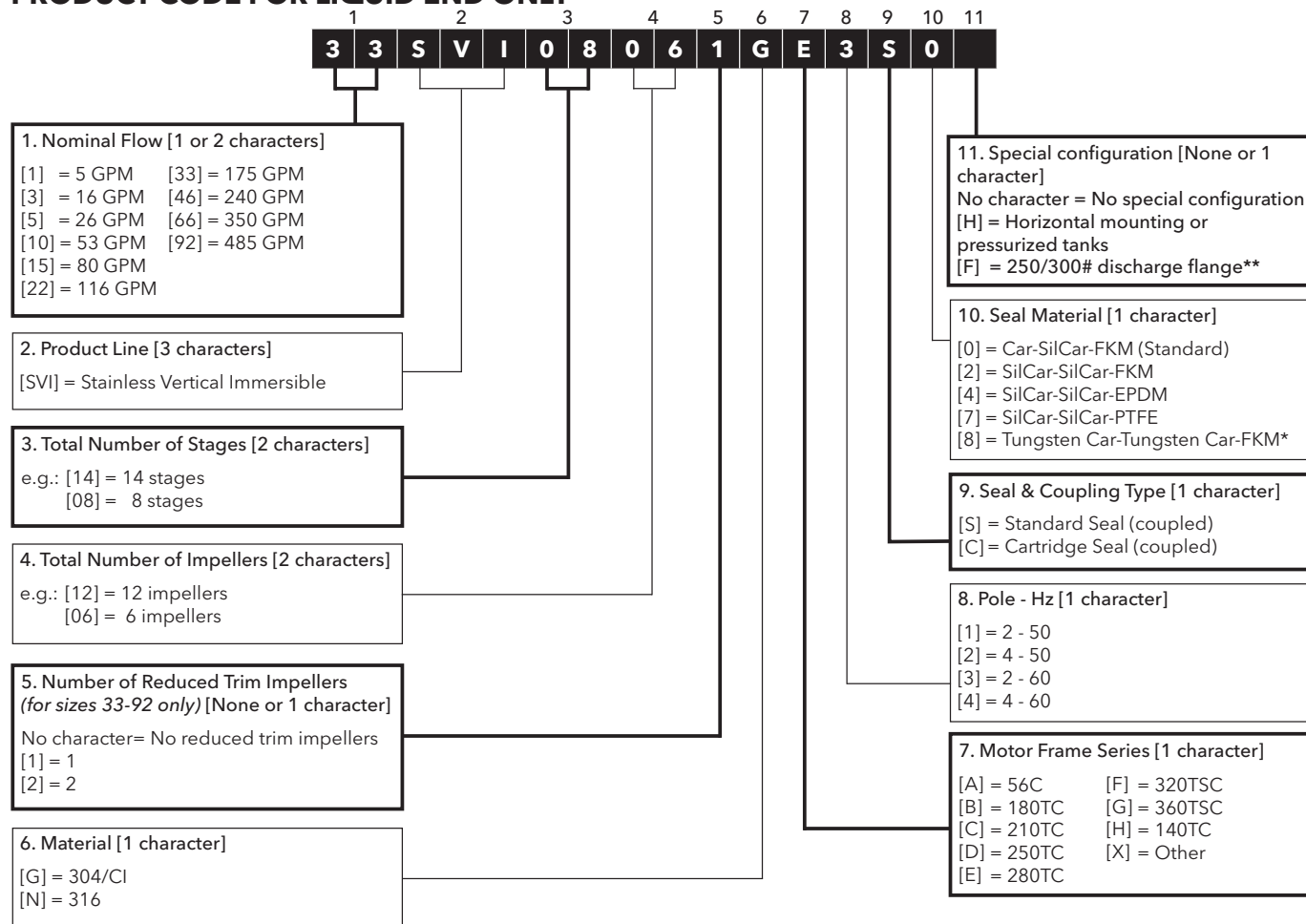
e-SVI REPAIR PARTS

Table of Contents

Product Code for Liquid End Only	3
Product Code for Complete Pump	4
Product Code for Repair Stack Only	5
1 to 22 e-SVI Impellers and Intermediate Bearings Layout	6-7
Coupling Tables - 1 to 22 e-SVI Coupled	9
Discharge Head and Motor Adapter - 1 to 22 e-SVI Coupled	10
Major Components - 1 to 22 e-SVI Coupled	11-12
Shafts - 1 to 22 e-SVI Coupled	13
Casings - 1 to 22 e-SVI Coupled	14
Tie Rods - 1 to 22 e-SVI Coupled	15
Major Components - 33 to 92 e-SVI	17
Shafts - 33 to 92 e-SVI	20
Tie Rods - 33 to 92 e-SVI	20
Major Components - 1 to 5 e-SVI Close Coupled	21-22
Casings - 1 to 5 e-SVI Close Coupled	23
Tie Rods - 1 to 5 e-SVI Close Coupled	24

Commercial Water

PRODUCT CODE FOR LIQUID END ONLY



*For cartridge seal only
 **For sizes 33-92 only

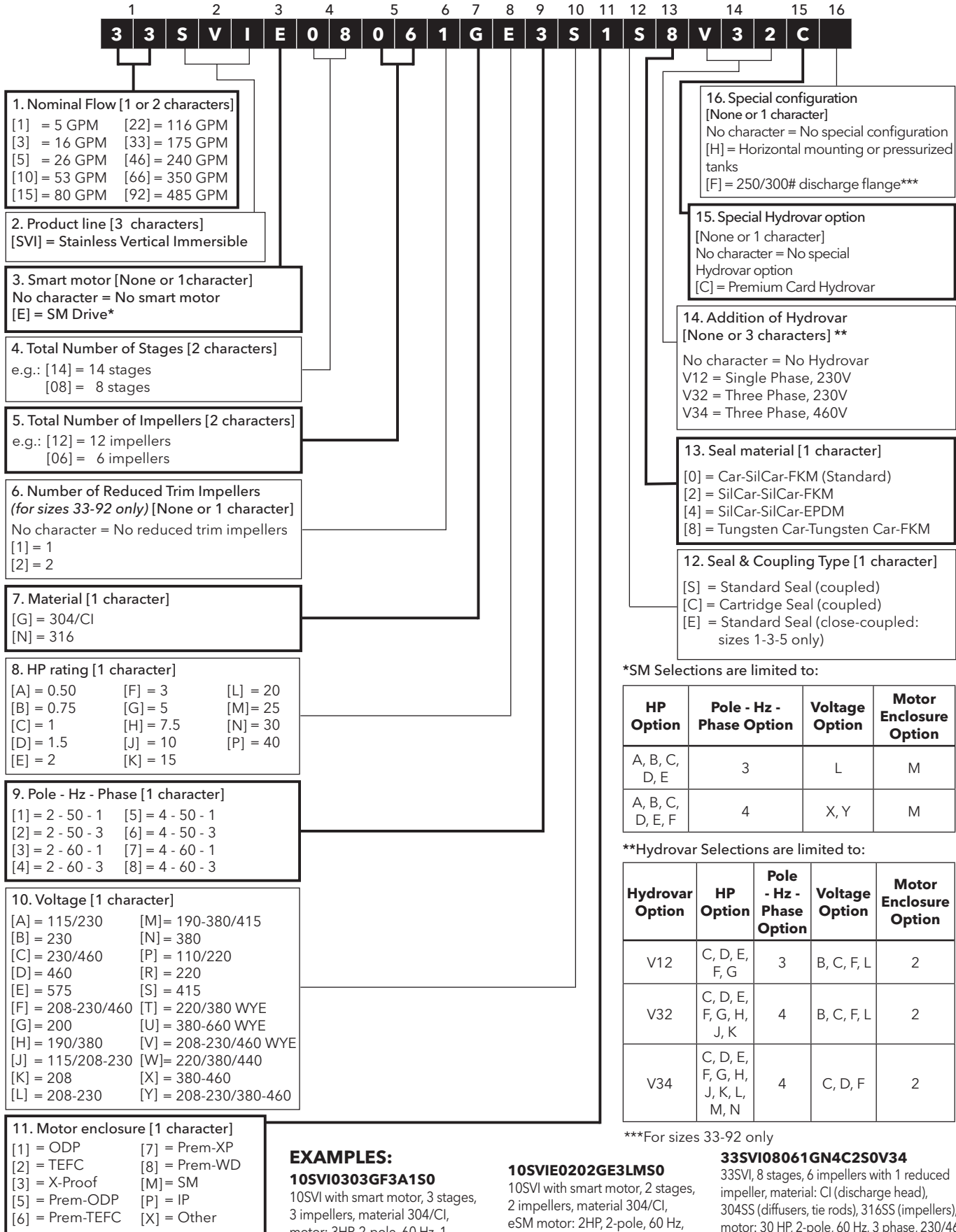
EXAMPLES:

10SVI0303GA350
 10SVI, 3 stages, 3 impellers,
 material 304/CI, motor frame
 series: 56, 2-pole, 60 Hz,
 standard seal: Car-SilCar-FKM

33SVI08061GE350
 33SVI, 8 stages, 6 impellers
 with 1 reduced impeller,
 material: CI (discharge head),
 304 SS (diffusers, tie rods),
 316SS (impellers), motor frame
 series: 280, 2-pole, 60 Hz,
 standard seal: Car-SilCar-FKM

Commercial Water

PRODUCT CODE FOR COMPLETE PUMP



1. Nominal Flow [1 or 2 characters]
 [1] = 5 GPM [22] = 116 GPM
 [3] = 16 GPM [33] = 175 GPM
 [5] = 26 GPM [46] = 240 GPM
 [10] = 53 GPM [66] = 350 GPM
 [15] = 80 GPM [92] = 485 GPM

2. Product line [3 characters]
 [SVI] = Stainless Vertical Immersible

3. Smart motor [None or 1 character]
 No character = No smart motor
 [E] = SM Drive*

4. Total Number of Stages [2 characters]
 e.g.: [14] = 14 stages
 [08] = 8 stages

5. Total Number of Impellers [2 characters]
 e.g.: [12] = 12 impellers
 [06] = 6 impellers

6. Number of Reduced Trim Impellers (for sizes 33-92 only) [None or 1 character]
 No character = No reduced trim impellers
 [1] = 1
 [2] = 2

7. Material [1 character]
 [G] = 304/Cl
 [N] = 316

8. HP rating [1 character]
 [A] = 0.50 [F] = 3 [L] = 20
 [B] = 0.75 [G] = 5 [M] = 25
 [C] = 1 [H] = 7.5 [N] = 30
 [D] = 1.5 [J] = 10 [P] = 40
 [E] = 2 [K] = 15

9. Pole - Hz - Phase [1 character]
 [1] = 2 - 50 - 1 [5] = 4 - 50 - 1
 [2] = 2 - 50 - 3 [6] = 4 - 50 - 3
 [3] = 2 - 60 - 1 [7] = 4 - 60 - 1
 [4] = 2 - 60 - 3 [8] = 4 - 60 - 3

10. Voltage [1 character]
 [A] = 115/230 [M] = 190-380/415
 [B] = 230 [N] = 380
 [C] = 230/460 [P] = 110/220
 [D] = 460 [R] = 220
 [E] = 575 [S] = 415
 [F] = 208-230/460 [T] = 220/380 WYE
 [G] = 200 [U] = 380-660 WYE
 [H] = 190/380 [V] = 208-230/460 WYE
 [J] = 115/208-230 [W] = 220/380/440
 [K] = 208 [X] = 380-460
 [L] = 208-230 [Y] = 208-230/380-460

11. Motor enclosure [1 character]
 [1] = ODP [7] = Prem-XP
 [2] = TEFC [8] = Prem-WD
 [3] = X-Proof [M] = SM
 [5] = Prem-ODP [P] = IP
 [6] = Prem-TEFC [X] = Other

16. Special configuration [None or 1 character]
 No character = No special configuration
 [H] = Horizontal mounting or pressurized tanks
 [F] = 250/300# discharge flange***

15. Special Hydrovar option [None or 1 character]
 No character = No special Hydrovar option
 [C] = Premium Card Hydrovar

14. Addition of Hydrovar [None or 3 characters]**
 No character = No Hydrovar
 V12 = Single Phase, 230V
 V32 = Three Phase, 230V
 V34 = Three Phase, 460V

13. Seal material [1 character]
 [0] = Car-SilCar-FKM (Standard)
 [2] = SilCar-SilCar-FKM
 [4] = SilCar-SilCar-EPDM
 [8] = Tungsten Car-Tungsten Car-FKM

12. Seal & Coupling Type [1 character]
 [S] = Standard Seal (coupled)
 [C] = Cartridge Seal (coupled)
 [E] = Standard Seal (close-coupled: sizes 1-3-5 only)

*SM Selections are limited to:

HP Option	Pole - Hz - Phase Option	Voltage Option	Motor Enclosure Option
A, B, C, D, E	3	L	M
A, B, C, D, E, F	4	X, Y	M

**Hydrovar Selections are limited to:

Hydrovar Option	HP Option	Pole - Hz - Phase Option	Voltage Option	Motor Enclosure Option
V12	C, D, E, F, G	3	B, C, F, L	2
V32	C, D, E, F, G, H, J, K	4	B, C, F, L	2
V34	C, D, E, F, G, H, J, K, L, M, N	4	C, D, F	2

***For sizes 33-92 only

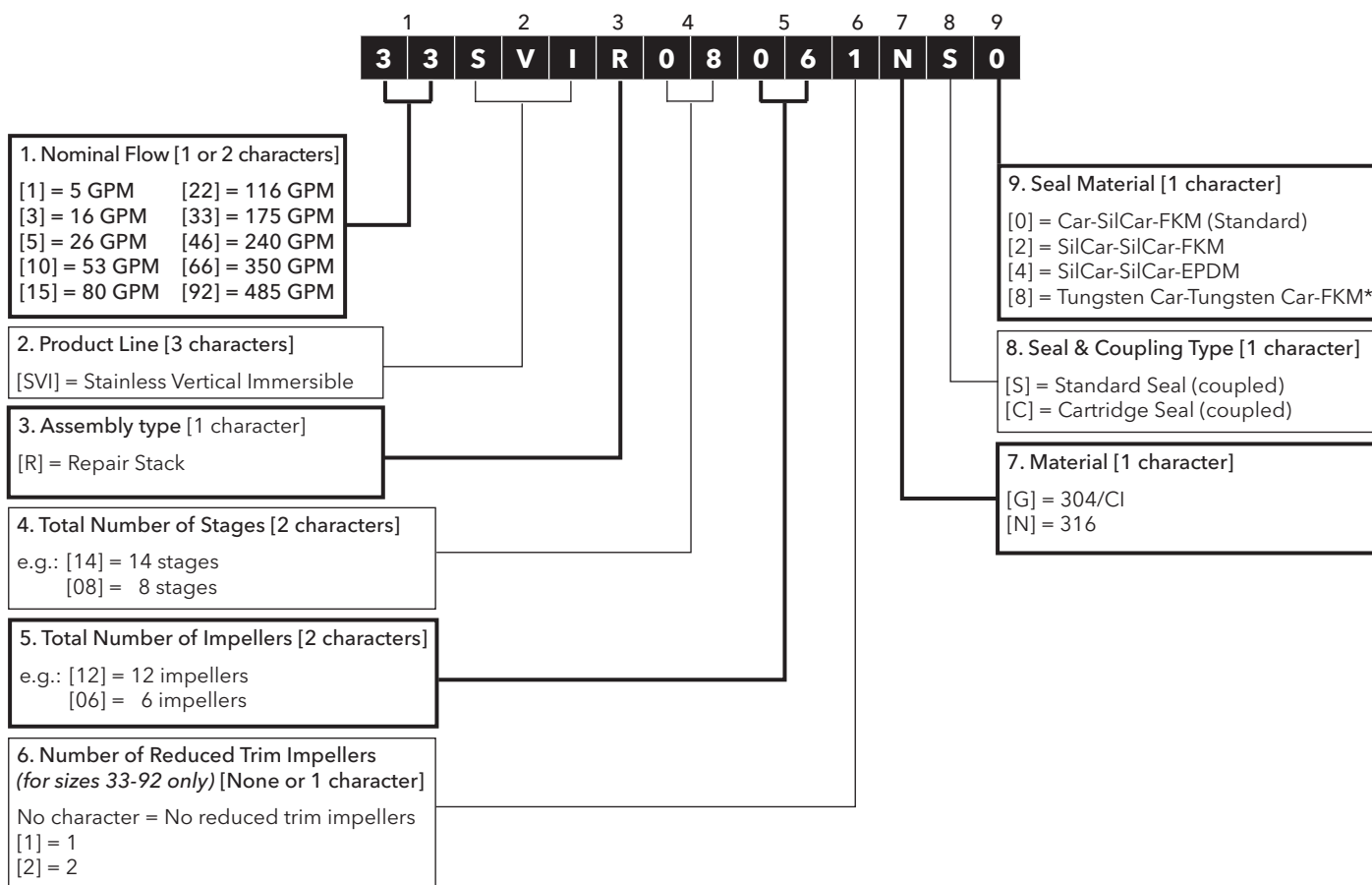
EXAMPLES:
10SVI0303GF3A1S0
 10SVI with smart motor, 3 stages, 3 impellers, material 304/Cl, motor: 3HP, 2-pole, 60 Hz, 1 phase, 115/230V, enclosure ODP, standard seal: Car-SilCar-FKM

10SVIE0202GE3LMS0
 10SVI with smart motor, 2 stages, 2 impellers, material 304/Cl, eSM motor: 2HP, 2-pole, 60 Hz, 1 phase, 208-230V, enclosure M, standard seal: Car-SilCar-FKM

33SVI08061GN4C2S0V34
 33SVI, 8 stages, 6 impellers with 1 reduced impeller, material: Cl (discharge head), 304SS (diffusers, tie rods), 316SS (impellers), motor: 30 HP, 2-pole, 60 Hz, 3 phase, 230/460V, TEFC enclosure, standard seal: Car-SilCar-FKM, Hydrovar for 3 phase and 460V

Commercial Water

PRODUCT CODE FOR REPAIR STACK ONLY (FOR COUPLED UNITS)



*For cartridge seal only

EXAMPLES:

10SVIR0303GS0

Repair stack for 10SVI, 3 stages, 3 impellers, material 304/Cl, standard seal: Car-SilCar-FKM

10SVIR08061NS0

Repair stack for 33SVI, 8 stages, 6 impellers with 1 reduced impeller, material 316, standard seal: Car-SilCar-FKM

e-SVI Product Line

1 to 92 e-SVI Impellers and Intermediate Bearings Layout

Stages	1SVI							3SVI							5SVI											
	Number of Bushings	A	B	C	D	E	F	G	Number of Bushings	A	B	C	D	E	F	G	Number of Bushings	A	B	C	D	E	F	G		
1	1	1	2						1	1	2						1	1	1							
2		1	2							1	2								1	1						
3		1	2							1	2								1	2						
4		1	3							1	3								1	3						
5		1	4							1	4								1	4						
6		2	4							2	4								2	4						
7		2	5							2	5								2	5						
8		2	6							2	6								2	6						
9		2	7							2	7								2	7						
10		2	8							2	8								2	8						
11	2	2	6	3					2	2	6	3					2	2	4	3						
12		2	7	3						2	7	3						2	5	3						
13		2	7	4						2	7	4						2	6	3						
14		2	8	4						2	8	4						2	6	4						
15		2	9	4						2	9	4						2	7	4						
16		2	9	5						2	9	5						2	8	4						
17		2	10	5						2	10	5						2	8	5						
18		2	10	6						2	10	6						2	9	5						
19		2	10	7						2	10	7						2	6	5	4					
20		2	11	7						2	11	7						2	6	6	4					
21	3	2	7	7	5				3	2	7	7	5				3	2	7	6	4					
22		2	8	7	5					2	8	7	5					2	7	6	5					
23		2	8	8	5					2	8	8	5					2	7	7	5					
24		2	9	8	5					2	9	8	5					2	8	7	5					
25		2	9	9	5					2	9	9	5					2	6	6	5	4				
26		2	9	9	6					2	9	9	6					2	6	6	6	4				
27		2	10	9	6					2	10	9	6					2	7	6	6	4				
28		4	2	7	7	7	5				4	2	7	7	7	5				4	2	7	7	7	5	
29	2		8	7	7	5			2	8		7	7	5			2	7	7		7	5				
30	2		8	8	7	5			2	8		8	7	5			2	6	6		6	5	4			
31	2		8	8	8	5			2	8		8	8	5			2	6	6		6	6	4			
32	2		9	8	8	5			2	9		8	8	5			2	7	6		6	6	4			
33	2		9	9	8	5			2	9		9	8	5			2	7	7		6	6	4			
34	2		9	9	9	5			2	9		9	9	5			2	7	7		7	6	4			
35	2		9	9	9	6			2	9		9	9	6			2	7	7		7	7	4			
36	5	2	8	7	7	7	5		5	2	8	7	7	7	5		5									
37		2	8	8	7	7	5			2	8	8	7	7	5											
38		2	8	8	8	7	5			2	8	8	8	7	5											
39		2	8	8	8	8	5			2	8	8	8	8	5											
40		2	9	8	8	8	5			2	9	8	8	8	5											
41		2	9	9	8	8	5			2	9	9	8	8	5											
42		2	9	9	9	8	5			2	9	9	9	8	5											
43		2	9	9	9	9	5			2	9	9	9	9	5											
44		2	9	9	9	9	6			2	9	9	9	9	6											
45	6	2	8	8	7	7	7	6	6	2	8	8	7	7	7	6	6									
46		2	8	8	8	7	7	6		2	8	8	8	7	7	6										
47		2	8	8	8	8	7	6		2	8	8	8	8	7	6										
48		2	8	8	8	8	8	6		2	8	8	8	8	8	6										

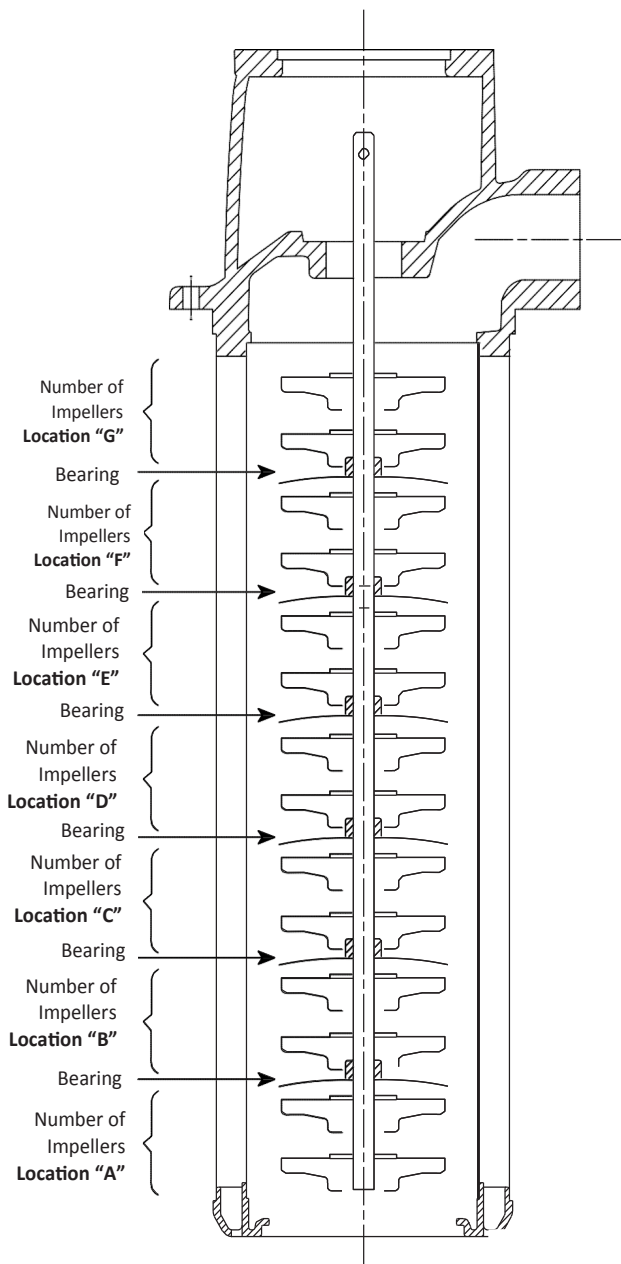
Commercial Water

e-SVI Product Line

1 to 92 e-SVI Impellers and Intermediate Bearings Layout

Stages	10SVI						15SVI						22SVI										
	Number of Bushings	A	B	C	D		Number of Bushings	A	B	C	D	E	F	Number of Bushings	A	B	C	D	E	F			
1	1	1	1				1	1	1					1	1	1							
2		1	1					1	1							1	1						
3		1	2					1	2							1	2						
4		1	3					1	3							1	3						
5		1	4					1	4							1	4						
6		2	4					1	5							1	5						
7		2	5					2	1	4	2					2	1	4	2				
8		2	6						1	5	2							1	5	2			
9		2	7						1	5	3							1	5	3			
10	2	2	5	3			3	1	6	3				3	1	6	3						
11		2	6	3				1	6	4						1	6	4					
12		2	6	4				3	1	5	4	2				3	1	5	4	2			
13		2	7	4					1	5	4	3						1	5	4	3		
14		2	8	4					1	5	5	3						1	5	5	3		
15		2	8	5					1	5	5	4						1	5	5	4		
16		2	9	5					1	6	5	4						1	6	5	4		
17	3	2	6	5	4		4	1	6	6	4			4	1	6	6	4					
18		2	6	6	4			1	5	5	3	4				1	5	5	3	4			
19		2	7	6	4			1	5	5	5	3				1	5	5	5	3			
20		2	7	6	5			1	5	5	5	4				1	5	5	5	4			
21		2	7	7	5																		
22		2	8	7	5																		
23	4	2	6	6	5	4																	
24		2	6	6	6	4																	
25		2	7	6	6	4																	
26		2	7	7	6	4																	
27		2	7	7	7	4																	
28		2	7	7	7	5																	
29	5	2	6	6	6	5	4																
30		2	6	6	6	6	4																

Stages	33SVI			46SVI			66SVI			92SVI						
	Number of Bushings	A	B	C	Number of Bushings	A	B	C	Number of Bushings	A	B	C	Number of Bushings	A	B	C
1	1	1			1	1			1	1			1	1		
2		2				2				2						
3		3				3				3						
4		4				4				4						
5	2	2	5		2	2	5		2	2	5		2	2	5	
6		2	6			2	6			2	6					
7		2	7			2	7			3	7					
8		3	8			3	8			2	5	8		3	2	5
9	4	9		4	9		2	6	9	2	6	9				
10	3	2	6	10	3	2	6	10	2	6	10	3	2	6	10	
11		2	6	11		2	6	11								
12		2	7	12		2	7	12								



The chart on this page is used to locate the correct bearing position(s) on the impeller stack of the e-SVI series pumps. To use this chart:

1. Locate the number of stages in the left hand column of the above chart which corresponds to the pump you are working on.
2. Follow the selected row across to the pump size (1SVI etc).
3. Under the "A" location, you will find the number of impellers on the bottom of the stack which come before the first bearing.
4. Under the "B" location, you will find the number of impellers which go above the first bearing and below the second bearing (if there is one).
5. Under the "C" location, you will find the number of impellers which go above the second bearing and below the third bearing (if there is one).
6. Under the "D" location, you will find the number of impellers which go above the third bearing.
7. Under the "E" location, you will find the number of impellers which go above the fourth bearing.
8. Under the "F" location, you will find the number of impellers which go above the fifth bearing.
9. Under the "G" location, you will find the number of impellers which go above the sixth bearing.

e-SVI Product Line

1 to 92 e-SVI Coupling Tables – Coupled (Standard) Models with NEMA or Smart Motor

Coupling Table – Includes Nuts, Bolts and Pin							
Item Number	Size	56C	140TC	180TC	210TC	250TC	280TC
15	1SVI	7K3333	7K3334	7K3335	7K3336	7K3337	
	3SVI						
	5SVI						
	10SVI	7K3338	7K3339	7K3340	7K3341	7K3342	7K3343
	15SVI						
	22SVI						
	33SVI			4L553	4L554	4L555	4L556
	46SVI						
	66SVI						
	92SVI						

Coupling Guard Table – Includes Screws							
Item Number	Size	56C	140TC	180TC	210TC	250TC	280TC
14	1SVI	4K1550			4K1551		
	3SVI						
	5SVI						
	10SVI	4K1552			4K1553		
	15SVI						
	22SVI						
	33SVI				4L764		
	46SVI						
	66SVI						
	92SVI						

Coupling Pin		
Item Number	Size	Repair PN
15	1SVI	4L170
	3SVI	
	5SVI	
	10SVI	4L171
	15SVI	
	22SVI	
	33SVI	4L283
	46SVI	
	66SVI	
	92SVI	

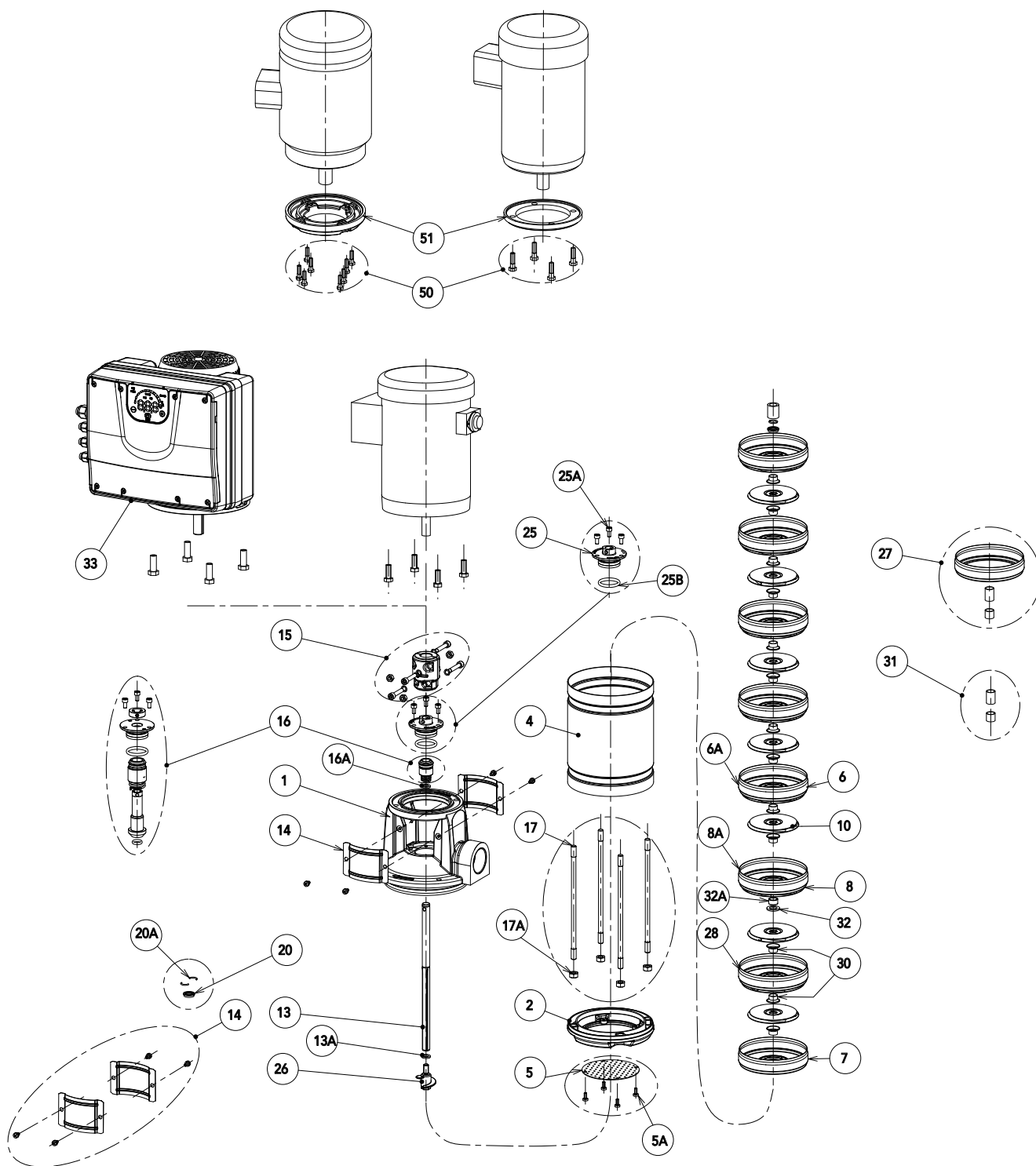
e-SVI Product Line

Discharge Head and Motor Adapter – 1 to 22 e-SVI Coupled (Standard) Models with NEMA or Smart Motor

Item Number	Model	Part	56C		140TC		180TC		210TC		250TC		280TC	
			Materials	304/CI (G)	316 (N)	304/CI (G)	316 (N)	304/CI (G)	316 (N)	304/CI (G)	316 (N)	304/CI (G)	316 (N)	304/CI (G)
1	1SVI	Discharge Head and Motor Adapter	1K1295	1K1301	1K1295	1K1301	1K1296	1K1302	1K1296	1K1302	1K1296	1K1302	1K1296	1K1302
51		Adapter Ring							1K706		1K707		1K708	
50		Bolts	13K194				13K93		13K435		13K435		13K435	
1	3SVI	Discharge Head and Motor Adapter	1K1295	1K1301	1K1295	1K1301	1K1296	1K1302	1K1296	1K1302	1K1296	1K1302	1K1296	1K1302
51		Adapter Ring							1K706		1K707		1K708	
50		Bolts	13K194				13K93		13K435		13K435		13K435	
1	5SVI	Discharge Head and Motor Adapter	1K1295	1K1301	1K1295	1K1301	1K1296	1K1302	1K1296	1K1302	1K1296	1K1302	1K1296	1K1302
51		Adapter Ring							1K706		1K707		1K708	
50		Bolts	13K194				13K93		13K435		13K435		13K435	
1	10SVI	Discharge Head and Motor Adapter	1K1299	1K1297	1K1299	1K1297	1K1300	1K1298	1K1300	1K1298	1K1300	1K1298	1K1300	1K1298
51		Adapter Ring							1K706		1K707		1K708	
50		Bolts	13K194		13K194		13K93		13K435		13L40		13K435	
1	15SVI	Discharge Head and Motor Adapter	1K1299	1K1297	1K1299	1K1297	1K1300	1K1298	1K1300	1K1298	1K1300	1K1298	1K1300	1K1298
51		Adapter Ring							1K706		1K707		1K708	
50		Bolts	13K194		13K194		13K93		13K435		13L40		13K435	
1	22SVI	Discharge Head and Motor Adapter	1K1299	1K1297	1K1299	1K1297	1K1300	1K1298	1K1300	1K1298	1K1300	1K1298	1K1300	1K1298
51		Adapter Ring							1K706		1K707		1K708	
50		Bolts	13K194		13K194		13K93		13K435		13L40		13K435	

e-SVI Product Line

Major Components – 1 to 22 e-SVI Coupled (Standard) Models with NEMA or Smart Motor



e-SVI Product Line

Major Components – 1 to 22 e-SVI Coupled (Standard) Models with NEMA or Smart Motor

Miscellaneous Parts													
Item #	Part Name	1SVI		3SVI		5SVI		10SVI		15SVI		22SVI	
		304/CI (G)	316 (N)	304/CI (G)	316 (N)	304/CI (G)	316 (N)	304/CI (G)	316 (N)	304/CI (G)	316 (N)	304/CI (G)	316 (N)
2	Suction Bottom Cover	4K1525		4K1525		4K1525		4K1524		4K1524		4K1524	
5	Suction Filter (INCL 5A)	4K1559		4K1559		4K1559		4K1558		4K1558		4K1558	
5A	Suction Filter Screws (INCL QTY 4)	13L126		13L126		13L126		13L126		13L126		13L126	
6	Diffuser	3L54	3L55	3L54	3L55	3L56	3L57	3L58	3L59	3L60	3L61	3L60	3L61
6A	Reinforced Diffuser (2 per pump)									3L109	3L110	3L109	3L110
7	Diffuser Housing	4K1538	3L92	4K1538	3L92	4K1538	3L92	4K1540	3L94	4K1540	3L94	4K1540	3L94
8	Diffuser with Bushing	3L62	3L63	3L62	3L63	3L64	3L65	3L66	3L67	3L68	3L69	3L68	3L69
8A	Reinforced Diffuser with Bushing (1 per pump)									3L111	3L112	3L111	3L112
10	Impeller	2L916	2L917	2L918	2L919	2L920	2L921	2L922	2L923	2L924	2L925	2L926	2L927
13A	Shaft Bushing	4L602		4L602		4L602		4L603		4L603		4L603	
16A	Spacer for STD Seal	4K1555		4K1555		4K1555		4K1556		4K1556		4K1556	
17A	Suction Bottom Cover Nuts (INCL QTY 4)	13L124		13L124		13L124		13L125		13L125		13L125	
20	Impeller Stop Cover	4K1548	4K1025	4K1548	4K1025	4K1548	4K1025	4K1549	4K1026	4K1549	4K1026	4K1549	4K1026
20A	Split Ring/Half Stop Ring	4L245		4L245		4L245		4L246		4L246		4L246	
25	Seal Adapter (INCL 25A)	1K1293		1K1293		1K1293		1K1294		1K1294		1K1294	
25A	Seal Adapter Screws (INCL QTY 3)	4K1571											
26	Inducer	4K1522		4K1522		4K1522		4K1523		4K1523		4K1523	
27	Diffuser Empty Stage	4K1544	4K1545	4K1544	4K1545	4K1546	4K1547	4K1540	3L94	4K1542	3L95	4K1542	3L95
28	Initial Stage Diffuser	3L78	3L79	3L78	3L79	3L80	3L81	3L82	3L83	3L84	3L85	3L84	3L85
30	Impeller Spacer	4L592	4L593	4L592	4L593	4L594	4L595	4L596	4L597	4L598	4L599	4L598	4L599
31	Impeller Substitutive Spacer for Blank Stage*	4K1021		4K1021		4K1022		4K1023		4K1024		4K1024	
	Impeller Substitutive Spacer for Blank Stage with Bearing*	4K1534		4K1534		4K1535		4K1536		4K1537		4K1537	
32	Impeller Washer	13L105		13L105		13L105		13L106		13L106		13L106	
32A	Bushing Spacer	4K1028		4K1028		4K1526	4K1004	4K1527	4K1005	4L600	4L601	4L600	4L601
-	Shim Fork	4K1566						4K1567					
	Plug (for pressurized or horizontal tank applications only)	4K1569						4K1570					

*Used in place of impeller when a pump is destaged

Mechanical Seals					
Item Number	Seal Type	1SVI, 3SVI, 5SVI		10SVI, 15SVI, 22SVI	
		STANDARD	CARTRIDGE	STANDARD	CARTRIDGE
16	0 - C/SiC/FKM	10K280	10K260	10K285	10K270
	2 - SiC/SiC/FKM	10K281	10K261	10K286	10K271
	4 - SiC/SiC/EPDM	10K282	10K262	10K287	10K272
	8 - TG/TG/FKM	N/A	10K263	N/A	10K273

Seal Adapter O-Ring							
Item Number	Elastomer Type	1SVI	3SVI	5SVI	10SVI	15SVI	22SVI
25B	FKM	5K558			5K559		
	EPDM	5K560			5K562		

e-SVI Product Line

Shafts – 1 to 22 e-SVI Coupled (Standard) Models with NEMA or Smart Motor

Shafts – Item Number 13						
Model	1SVI	3SVI	5SVI	10SVI	15SVI	22SVI
1						
2	4K1255	4K1255	4K1256	4K1330	4K1332	4K1332
3	4K1257	4K1257	4K1258	4K1331	4K1334	4K1334
4	4K1258	4K1258	4K1260	4K1333	4K1336	4K1336
5	4K1259	4K1259	4K1262	4K1334	4K1338	4K1338
6	4K1261	4K1261	4K1264	4K1335	4K1340	4K1340
7	4K1263	4K1263	4K1266	4K1337	4K1342	4K1342
8	4K1265	4K1265	4K1268	4K1338	4K1344	4K1344
9	4K1266	4K1266	4K1270	4K1339	4K1346	4K1346
10	4K1267	4K1267	4K1272	4K1341	4K1348	4K1348
11	4K1269	4K1269	4K1274	4K1342	4K1350	4K1350
12	4K1271	4K1271	4K1276	4K1343	4K1352	4K1352
13	4K1273	4K1273	4K1278	4K1345	4K1354	4K1354
14	4K1274	4K1274	4K1280	4K1346	4K1356	4K1356
15	4K1275	4K1275	4K1282	4K1347	4K1358	4K1358
16	4K1277	4K1277	4K1284	4K1349	4K1360	4K1360
17	4K1279	4K1279	4K1286	4K1350	4K1362	4K1362
18	4K1281	4K1281	4K1288	4K1351	4K1364	4K1364
19	4K1282	4K1282	4K1290	4K1353	4K1366	4K1366
20	4K1283	4K1283	4K1292	4K1354		
21	4K1285	4K1285	4K1294	4K1355		
22	4K1287	4K1287	4K1296	4K1357		
23	4K1289	4K1289	4K1298	4K1358		
24	4K1290	4K1290	4K1300	4K1359		
25	4K1291	4K1291	4K1302	4K1361		
26	4K1293	4K1293	4K1304	4K1362		
27	4K1295	4K1295	4K1306	4K1363		
28	4K1297	4K1297	4K1308	4K1365		
29	4K1298	4K1298	4K1310	4K1366		
30	4K1299	4K1299	4K1312	4K1367		
31	4K1301	4K1301	4K1314			
32	4K1303	4K1303	4K1316			
33	4K1305	4K1305	4K1318			
34	4K1306	4K1306	4K1320			
35	4K1307	4K1307	4K1322			
36	4K1309	4K1309	4K1324			
37	4K1311	4K1311	4K1326			
38	4K1313	4K1313				
39	4K1314	4K1314				
40	4K1315	4K1315				
41	4K1317	4K1317				
42	4K1319	4K1319				
43	4K1321	4K1321				
44	4K1322	4K1322				
45	4K1323	4K1323				
46	4K1325	4K1325				
47	4K1327	4K1327				

e-SVI Product Line

Casings – 1 to 22 e-SVI Coupled (Standard) Models with NEMA or Smart Motor

Casings – Item Number 4						
Model	1SVI	3SVI	5SVI	10SVI	15SVI	22SVI
1						
2	1K1141	1K1141	1K1142	1K1244	1K1247	1K1247
3	1K1143	1K1143	1K1144	1K1246	1K1249	1K1249
4	1K1144	1K1144	1K1147	1K1248	1K1252	1K1252
5	1K1146	1K1146	1K1150	1K1249	1K1254	1K1254
6	1K1149	1K1149	1K1153	1K1251	1K1257	1K1257
7	1K1152	1K1152	1K1155	1K1253	1K1259	1K1259
8	1K1154	1K1154	1K1158	1K1254	1K1262	1K1262
9	1K1155	1K1155	1K1161	1K1256	1K1264	1K1264
10	1K1157	1K1157	1K1164	1K1258	1K1267	1K1267
11	1K1160	1K1160	1K1166	1K1259	1K1269	1K1269
12	1K1163	1K1163	1K1169	1K1261	1K1272	1K1272
13	1K1165	1K1165	1K1172	1K1263	1K1274	1K1274
14	1K1166	1K1166	1K1175	1K1264	1K1277	1K1277
15	1K1168	1K1168	1K1177	1K1266	1K1279	1K1279
16	1K1171	1K1171	1K1180	1K1268	1K1282	1K1282
17	1K1174	1K1174	1K1183	1K1269	1K1284	1K1284
18	1K1176	1K1176	1K1186	1K1271	1K1287	1K1287
19	1K1177	1K1177	1K1188	1K1273	1K1289	1K1289
20	1K1179	1K1179	1K1191	1K1274		
21	1K1182	1K1182	1K1194	1K1276		
22	1K1185	1K1185	1K1197	1K1278		
23	1K1187	1K1187	1K1199	1K1279		
24	1K1188	1K1188	1K1202	1K1281		
25	1K1190	1K1190	1K1205	1K1283		
26	1K1193	1K1193	1K1208	1K1284		
27	1K1196	1K1196	1K1210	1K1286		
28	1K1198	1K1198	1K1213	1K1288		
29	1K1199	1K1199	1K1216	1K1289		
30	1K1201	1K1201	1K1219			
31	1K1204	1K1204	1K1221			
32	1K1207	1K1207	1K1224			
33	1K1209	1K1209	1K1227			
34	1K1210	1K1210	1K1230			
35	1K1212	1K1212	1K1232			
36	1K1215	1K1215	1K1235			
37	1K1218	1K1218	1K1238			
38	1K1220	1K1220				
39	1K1221	1K1221				
40	1K1223	1K1223				
41	1K1226	1K1226				
42	1K1229	1K1229				
43	1K1231	1K1231				
44	1K1232	1K1232				
45	1K1234	1K1234				
46	1K1237	1K1237				
47	1K1240	1K1240				

e-SVI Product Line

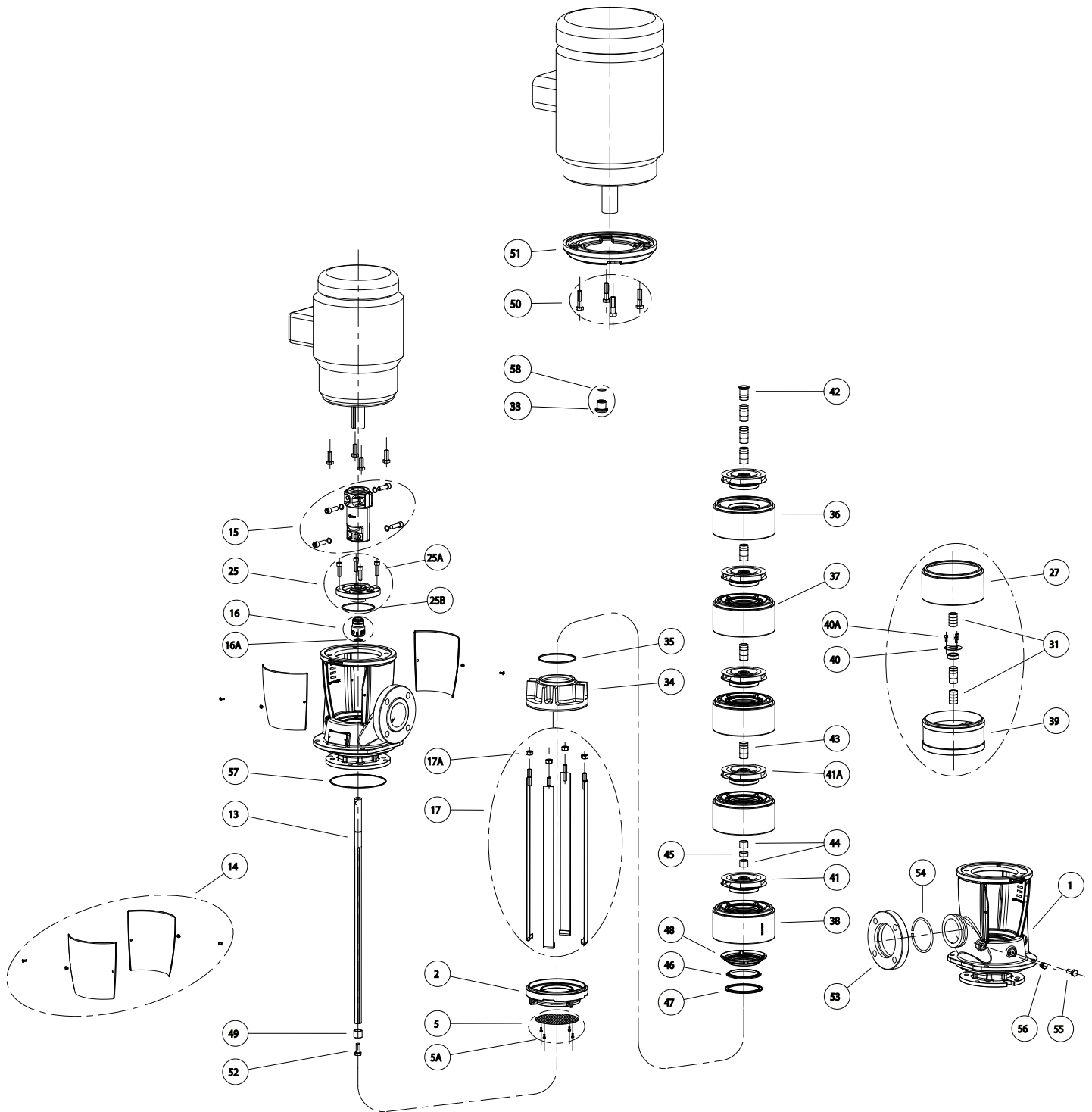
Tie Rods – 1 to 22 e-SVI Coupled (Standard) Models with NEMA or Smart Motor

Tie Rods – Item Number 17 – Quantity 4 included (also includes 17A)						
Model	1SVI	3SVI	5SVI	10SVI	15SVI	22SVI
1						
2	4K1370	4K1370	4K1371	4K1473	4K1476	4K1476
3	4K1372	4K1372	4K1373	4K1475	4K1478	4K1478
4	4K1373	4K1373	4K1376	4K1477	4K1481	4K1481
5	4K1375	4K1375	4K1379	4K1478	4K1483	4K1483
6	4K1378	4K1378	4K1382	4K1480	4K1486	4K1486
7	4K1381	4K1381	4K1384	4K1482	4K1488	4K1488
8	4K1383	4K1383	4K1387	4K1483	4K1491	4K1491
9	4K1384	4K1384	4K1390	4K1485	4K1493	4K1493
10	4K1386	4K1386	4K1393	4K1487	4K1496	4K1496
11	4K1389	4K1389	4K1395	4K1488	4K1498	4K1498
12	4K1392	4K1392	4K1398	4K1490	4K1501	4K1501
13	4K1394	4K1394	4K1401	4K1492	4K1503	4K1503
14	4K1395	4K1395	4K1404	4K1493	4K1506	4K1506
15	4K1397	4K1397	4K1406	4K1495	4K1508	4K1508
16	4K1400	4K1400	4K1409	4K1497	4K1511	4K1511
17	4K1403	4K1403	4K1412	4K1498	4K1513	4K1513
18	4K1405	4K1405	4K1415	4K1500	4K1516	4K1516
19	4K1406	4K1406	4K1417	4K1502	4K1518	4K1518
20	4K1408	4K1408	4K1420	4K1503		
21	4K1411	4K1411	4K1423	4K1505		
22	4K1414	4K1414	4K1426	4K1507		
23	4K1416	4K1416	4K1428	4K1508		
24	4K1417	4K1417	4K1431	4K1510		
25	4K1419	4K1419	4K1434	4K1512		
26	4K1422	4K1422	4K1437	4K1513		
27	4K1425	4K1425	4K1439	4K1515		
28	4K1427	4K1427	4K1442	4K1517		
29	4K1428	4K1428	4K1445	4K1518		
30	4K1430	4K1430	4K1448			
31	4K1433	4K1433	4K1450			
32	4K1436	4K1436	4K1453			
33	4K1438	4K1438	4K1456			
34	4K1439	4K1439	4K1459			
35	4K1441	4K1441	4K1461			
36	4K1444	4K1444	4K1464			
37	4K1447	4K1447	4K1467			
38	4K1449	4K1449	4K1470			
39	4K1450	4K1450				
40	4K1452	4K1452				
41	4K1455	4K1455				
42	4K1458	4K1458				
43	4K1460	4K1460				
44	4K1461	4K1461				
45	4K1463	4K1463				
46	4K1466	4K1466				
47	4K1469	4K1469				

e-SVI Product Line 1 to 22 e-SVI Coupled Smart Motors

1 to 22 eSVI Coupled Smart Motors – Item No 33				
Repair Part #	Phase	Voltage	Size	HP
14L128	1	230V	56C	0.5
14L129	1	230V	56C	0.75
14L130	1	230V	56C	01
14L131	1	230V	56C	1.5
14L132	1	230V	56C	02
14L133	3	230V / 400V	56C	0.5
14L134	3	230V / 400V	56C	0.75
14L135	3	230V / 400V	56C	01
14L136	3	230V / 400V	56C	1.5
14L137	3	230V / 400V	56C	02
14L138	3	230V / 400V	56C	03

e-SVI Product Line Major Components - 33 to 92 e-SVI



e-SVI Product Line

Major Components - 33 to 92 e-SVI

Miscellaneous Parts					
Item Number	Part Name	33SVI	46SVI	66SVI	92SVI
1	Discharge Head and Motor Adapter - G	1K1311	1K1313		
	Discharge Head and Motor Adapter - N	1K1312	1K1314		
2	Suction Base	4K1604	4K1605	4K1606	4K1607
5	Strainer (Included 5A)	1L926			
5A	Strainer Screws (INCL QTY 4)	13L126			
16A	Spacer for STD Seal	5K569			
25	Seal Housing - G	1L629			
	Seal Housing - N	1L628			
25A	Seal Housing Screws (INCL QTY 4)	13L137			
25B	Seal Housing O-Ring	5K570			
27	Diffuser Empty Stage	7L557	7L556		
31	Impeller Substitutive Spacer for Blank Stage with Bearing*	4L588	4I589		
50	Motor Bolts for 180TC/210TC/250TC	13K102			
	Motor Bolts for 280TC	13K44			
51	Motor Adapter Ring	1L646			
33	Mechanical Seal Shaft Sleeve - G	4L509			
	Mechanical Seal Shaft Sleeve - N	4L718			
34	Casing Adapter- G	1K1307	1K309		
	Casing Adapter- N	1K308	1K310		
35	Casing Adapter O-Ring	5K571			
36	Final Stage Diffuser	7L550	7L553		
	Final Diffuser with Tungsten Carbide Bushing	7L551	7L554		
	Final Diffuser with Tungsten Carbide Bushing & Priming Hole	7L552	7L555		
37	Carbon Bearing Diffuser	7L546	7L547	7L548	7L549
38	Diffuser with Tungsten Carbide Bushing	7L539	7L541	7L542	7L544
	Diffuser with Tungsten Carbide Bushing & Priming Hole	7L540	7L558	7L543	7L545
39	Empty Stage Diffuser with Tungsten Carbide Bushing	4L514			
40	Tungsten Carbide Bushing Plate	4L660			
40A	Tungsten Carbide Bushing Plate Screws (INCL QTY 3)	13L114			
41	Full Diameter Impeller	2L899	2L900	2L901	2L902
41A	Reduced Diameter Impeller	2L903	2L904	2L905	2L906
42	Final Spacer	4L718			
43	Impeller Stop Ring - G	4L511			
	Impeller Stop Ring - N	4L717			
44	Shaft Bushing Spacer	4L510			
45	Tungsten Carbide Bushing	4L514			
46	Diffuser Wear Ring	7L559	7L560	7L561	7L562
47	Diffuser Wear Ring Plate	7L563	7L564	7L565	7L566
48	Diffuser Wear Ring Holder	7L567	7L568	7L569	7L570
49	Impeller Stack Bushing	4L716			
52	Impeller Stack Bushing Screw	13L109			
54	Snap Ring	7L571			
55	Drain Plug with O-Ring	13L138			
56	Pressure Sensor Plug	6L58			
57	Discharge Head and Motor Adapter O-Ring	5K571			
58	Stop Ring	4L550			

Discharge Head and Discharge Flange					
MODEL	Discharge Head Material & Motor Adapter	Class	Discharge Head & Motor Adapter Item number 1	Discharge Flange Material	Discharge Flange Item Number 53
33SVI	Cast Iron - G	125	1K1311	Ductile Iron - G	1K1315
		250			1K1316
	Stainless Steel - N	150	1K1312	Stainless Steel - N	1K1317
		300			1K1318
46SVI 66SVI 92SVI	Cast Iron - G	125	1K1313	Ductile Iron - G	1K1319
		250			1K1320
Stainless Steel - N	150	1K1314	Stainless Steel - N	1K1321	
	300			1K1322	

Mechanical Seals					
Item Number	Seal Type	33SVI	46SVI	66SVI	92SVI
16	0 Seal Car/SilCar/FKM			10L38	
	2 Seal SilCar/SilCar/Viton			10L39	
	4 Seal SilCar/SilCar/EPDM			10L37	

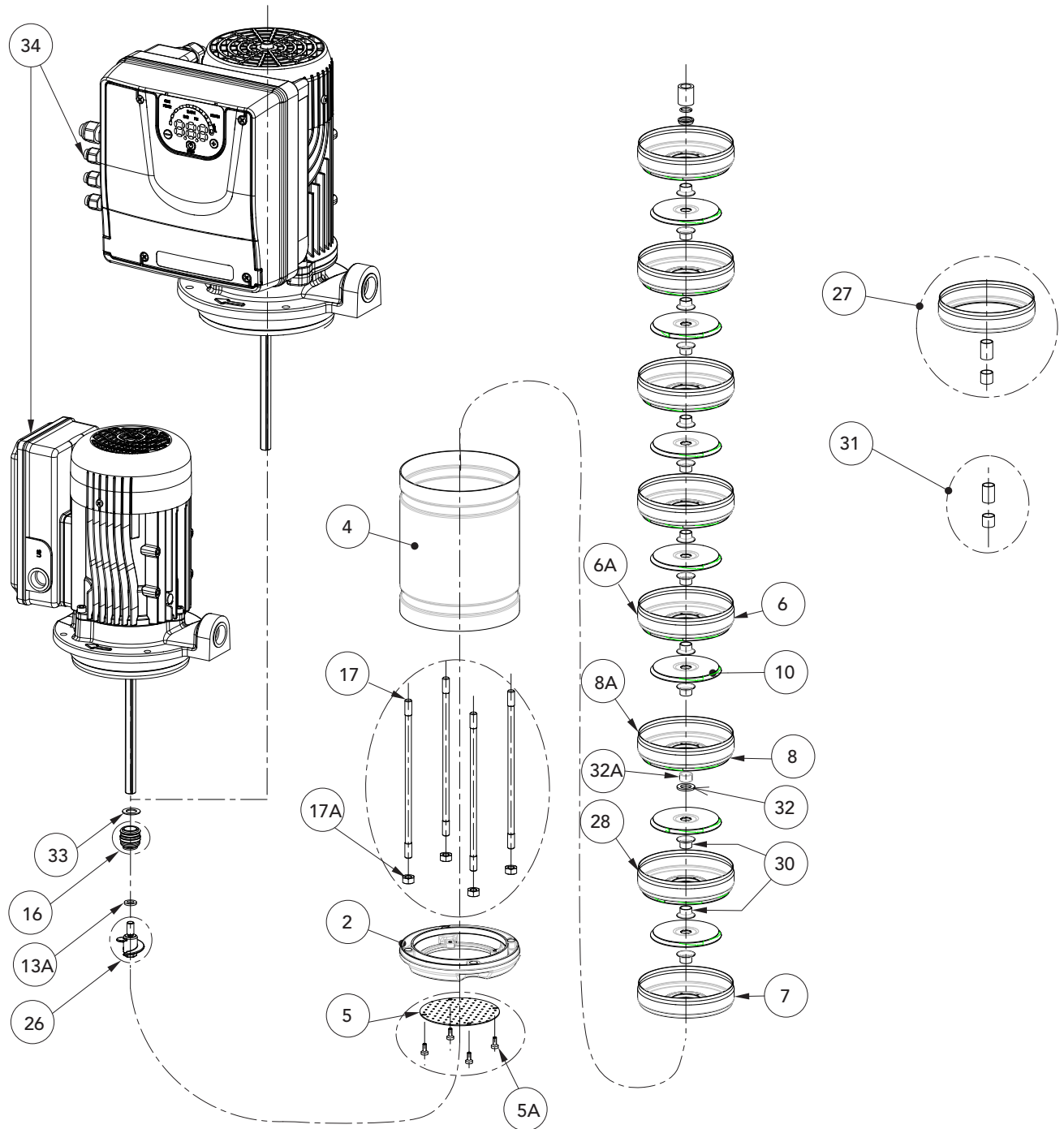
e-SVI Product Line Major Components - 33 to 92 e-SVI

Shaft Table - Item number 13				
Stages	33SVI	46SVI	66SVI	92SVI
1	4L517	4L517	4L743	4L743
2	4L518	4L518	4L744	4L744
3	4L519	4L519	4L745	4L745
4	4L520	4L520	4L746	4L746
5	4L521	4L521	4L522	4L522
6	4L522	4L522	4L747	4L747
7	4L523	4L523	4L748	4L748
8	4L524	4L524	4L749	4L749
9	4L578	4L578	4L750	4L750
10	4L740	4L740	4L742	4L742
11	4L741	4L741		
12	4L742	4L742		

Complete Tie Rods - Item number 17 - QTY 4 Included (also included 17A - 13K419)				
Stages	33SVI	46SVI	66SVI	92SVI
1	4L751	4L751	4L760	4L760
2	4L752	4L752	4L761	4L761
3	4L753	4L753	4L762	4L762
4	4L754	4L754	4L763	4L763
5	4L755	4L755	4L756	4L756
6	4L756	4L756	4K1600	4K1600
7	4L757	4L757	4K1601	4K1601
8	4L758	4L758	4K1602	4K1602
9	4L759	4L759	4K1603	4K1603
10	4K1597	4K1597	4K1599	4K1599
11	4K1598	4K1598		
12	4K1599	4K1599		

e-SVI Product Line

Major Components – 1 to 5 e-SVI Close Coupled (Compact) Models with IEC or Smart Motor



e-SVI Product Line

Major Components – 1 to 5 e-SVI Close Coupled (Compact) Models with IEC or Smart Motor

Miscellaneous Parts							
Item #	Part Name	1SVI		3SVI		5SVI	
		304/Cl (G)	316 (N)	304/Cl (G)	316 (N)	304/Cl (G)	316 (N)
2	Suction Bottom Cover	4K1525		4K1525		4K1525	
5	Suction Filter (INCL 5A)	4K1559		4K1559		4K1559	
5A	Suction Filter Screws (INCL QTY 4)	13L126		13L126		13L126	
6	Diffuser	3L54	3L55	3L54	3L55	3L56	3L57
6A	Reinforced Diffuser (2 per pump)						
7	Diffuser Housing	4K1538	3L92	4K1538	3L92	4K1538	3L92
8	Diffuser with Bushing	3L62	3L63	3L62	3L63	3L64	3L65
8A	Reinforced Diffuser with Bushing (1 per pump)						
10	Impeller	2L916	2L917	2L918	2L919	2L920	2L921
13A	Shaft Bushing	4L602		4L602		4L602	
17A	Suction Bottom Cover Nuts (INCL QTY 4)	13L124		13L124		13L124	
26	Inducer	4K1522		4K1522		4K1522	
27	Diffuser Empty Stage	4K1544	4K1545	4K1544	4K1545	4K1546	4K1547
28	Initial Stage Diffuser	3L78	3L79	3L78	3L79	3L80	3L81
30	Impeller Spacer	4L592	4L593	4L592	4L593	4L594	4L595
31	Impeller Substitutive Spacer for Blank Stage*	4K1021		4K1021		4K1022	
	Impeller Substitutive Spacer for Blank Stage with Bearing*	4K1534		4K1534		4K1535	
32	Impeller Washer	13L105		13L105		13L105	
32A	Bushing Spacer	4K1028		4K1028		4K1526	4K1004
33	Shaft Washer	4L719					
34	Motor and Shaft	For replacement motor and shaft, please contact factory to set up repair parts					

*Used in place of impeller when a pump is destaged

Mechanical Seals		
Item Number	Seal Type	1SVI, 3SVI, 5SVI
16	0 - C/SiC/FKM	10L48
	2 - SiC/SiC/FKM	10L49
	4 - SiC/SiC/EPDM	10L46
	8 - TG/TG/FKM	10L79

e-SVI Product Line

Casings – 1 to 5 e-SVI Close Coupled (Compact) Models with IEC or Smart Motor

Casings – Item Number 4			
Model	1SVI	3SVI	5SVI
1			
2	1K1141	1K1141	1K1142
3	1K1143	1K1143	1K1144
4	1K1144	1K1144	1K1147
5	1K1146	1K1146	1K1150
6	1K1149	1K1149	1K1153
7	1K1152	1K1152	1K1155
8	1K1154	1K1154	1K1158
9	1K1155	1K1155	1K1161
10	1K1157	1K1157	1K1164
11	1K1160	1K1160	1K1166
12	1K1163	1K1163	1K1169
13	1K1165	1K1165	1K1172
14	1K1166	1K1166	
15	1K1168	1K1168	
16	1K1171	1K1171	
17	1K1174	1K1174	

e-SVI Product Line

Tie Rods – 1 to 5 e-SVI Close Coupled (Compact) Models with IEC or Smart Motor

Tie Rods Item number 17 – Quantity 4 included (also includes 17A)			
Model	1SVI	3SVI	5SVI
1			
2	4K1370	4K1370	4K1371
3	4K1372	4K1372	4K1373
4	4K1373	4K1373	4K1376
5	4K1375	4K1375	4K1379
6	4K1378	4K1378	4K1382
7	4K1381	4K1381	4K1384
8	4K1383	4K1383	4K1387
9	4K1384	4K1384	4K1390
10	4K1386	4K1386	4K1393
11	4K1389	4K1389	4K1395
12	4K1392	4K1392	4K1398
13	4K1394	4K1394	4K1401
14	4K1395	4K1395	
15	4K1397	4K1397	
16	4K1400	4K1400	
17	4K1403	4K1403	

NOTES

Xylem |'zīləm|

- 1) The tissue in plants that brings water upward from the roots;
- 2) a leading global water technology company.

We're a global team unified in a common purpose: creating advanced technology solutions to the world's water challenges. Developing new technologies that will improve the way water is used, conserved, and re-used in the future is central to our work. Our products and services move, treat, analyze, monitor and return water to the environment, in public utility, industrial, residential and commercial building services settings. Xylem also provides a leading portfolio of smart metering, network technologies and advanced analytics solutions for water, electric and gas utilities. In more than 150 countries, we have strong, long-standing relationships with customers who know us for our powerful combination of leading product brands and applications expertise with a strong focus on developing comprehensive, sustainable solutions.

For more information on how Xylem can help you, go to www.xylem.com

Learn more about the full
e-SVI product line



xylem
Let's Solve Water

Xylem Inc.
Phone: (866) 673-0428
Fax: (888) 322-5877
www.xylem.com/goulds

XXylem is a registered trademark of Xylem Inc. or one of its subsidiaries. Goulds is a registered trademark of ITT Manufacturing Enterprises LLC and is used under license. All other trademarks or registered trademarks are property of their respective owners.

© 2022 Xylem Inc. ReSVI R2 December 2022

Order Online: www.PumpCatalog.com