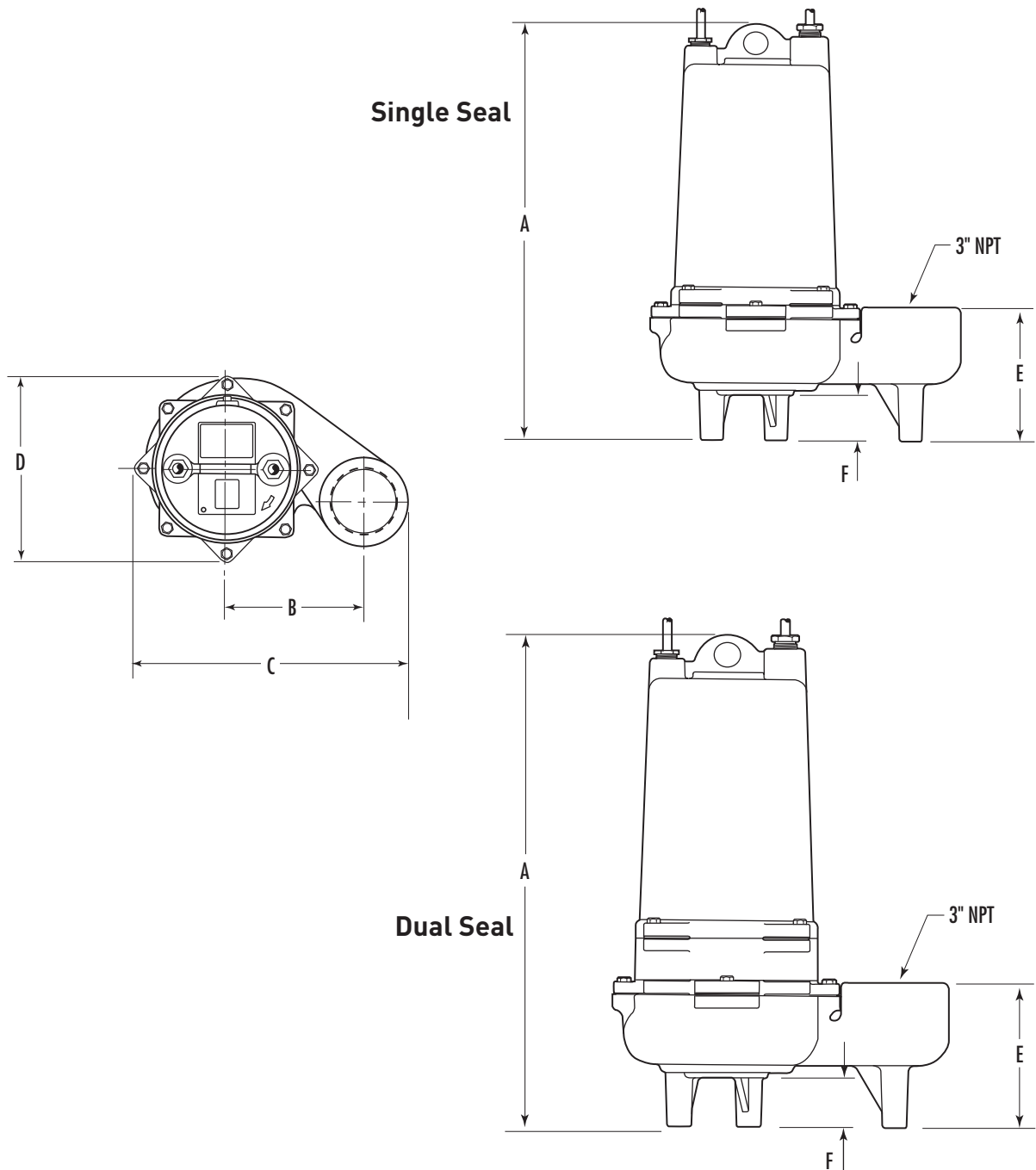


Dimensional Data – S3W – 3450 RPM



	A	B	C	D	E	F
S3W – Single Seal	19-7/32	7-3/8	14-5/16	9-5/8	6-5/32	2-1/16
S3W – Dual Seal	20-31/32	7-3/8	14-5/16	9-5/8	6-5/32	2-1/16

ALL DIMENSIONS IN INCHES
 NOTE: CASTING DIMENSIONS MAY VARY ± 1/8"