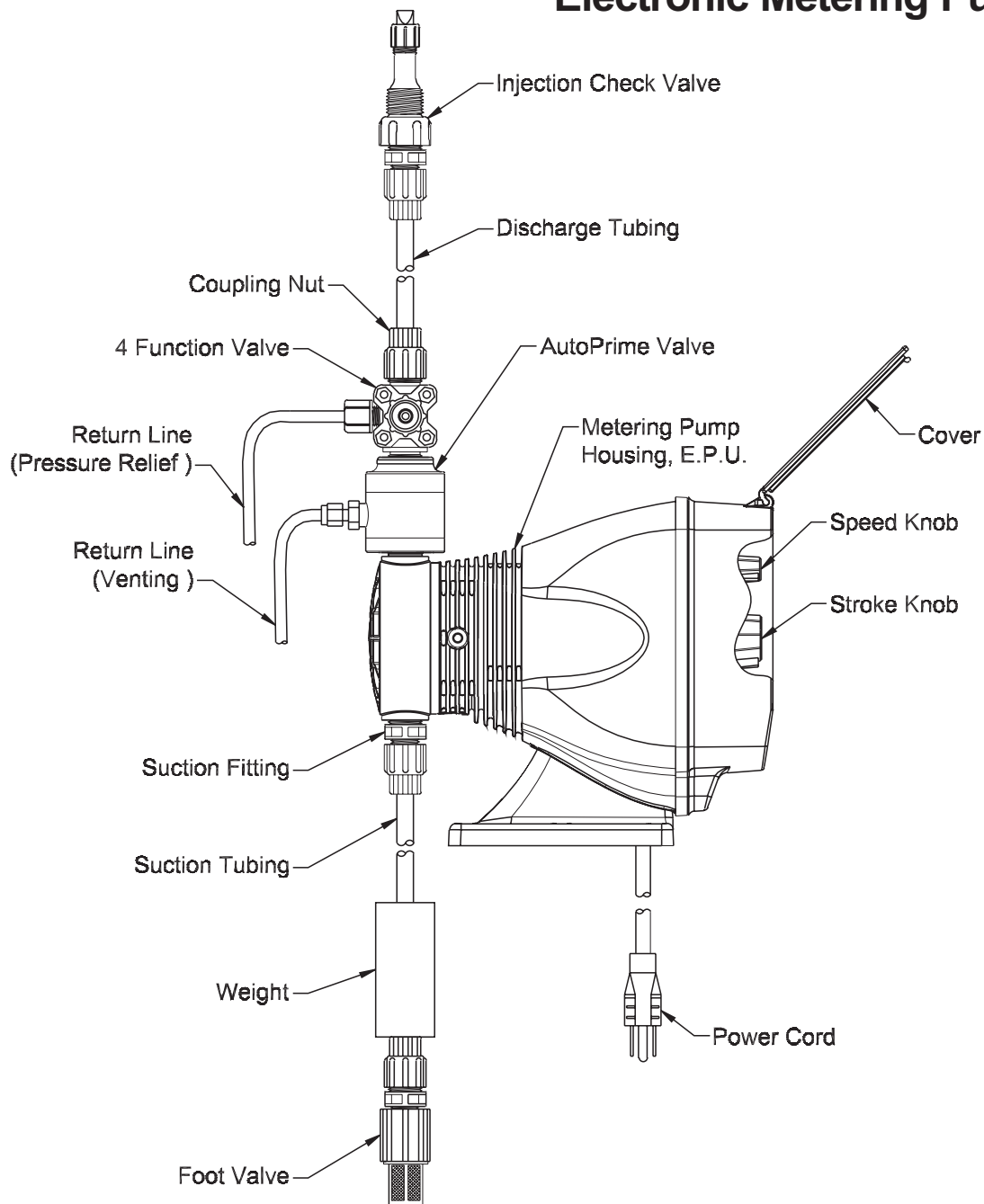


Instruction Supplement

Series AA1

Electronic Metering Pump



Metering Pump Component Diagram



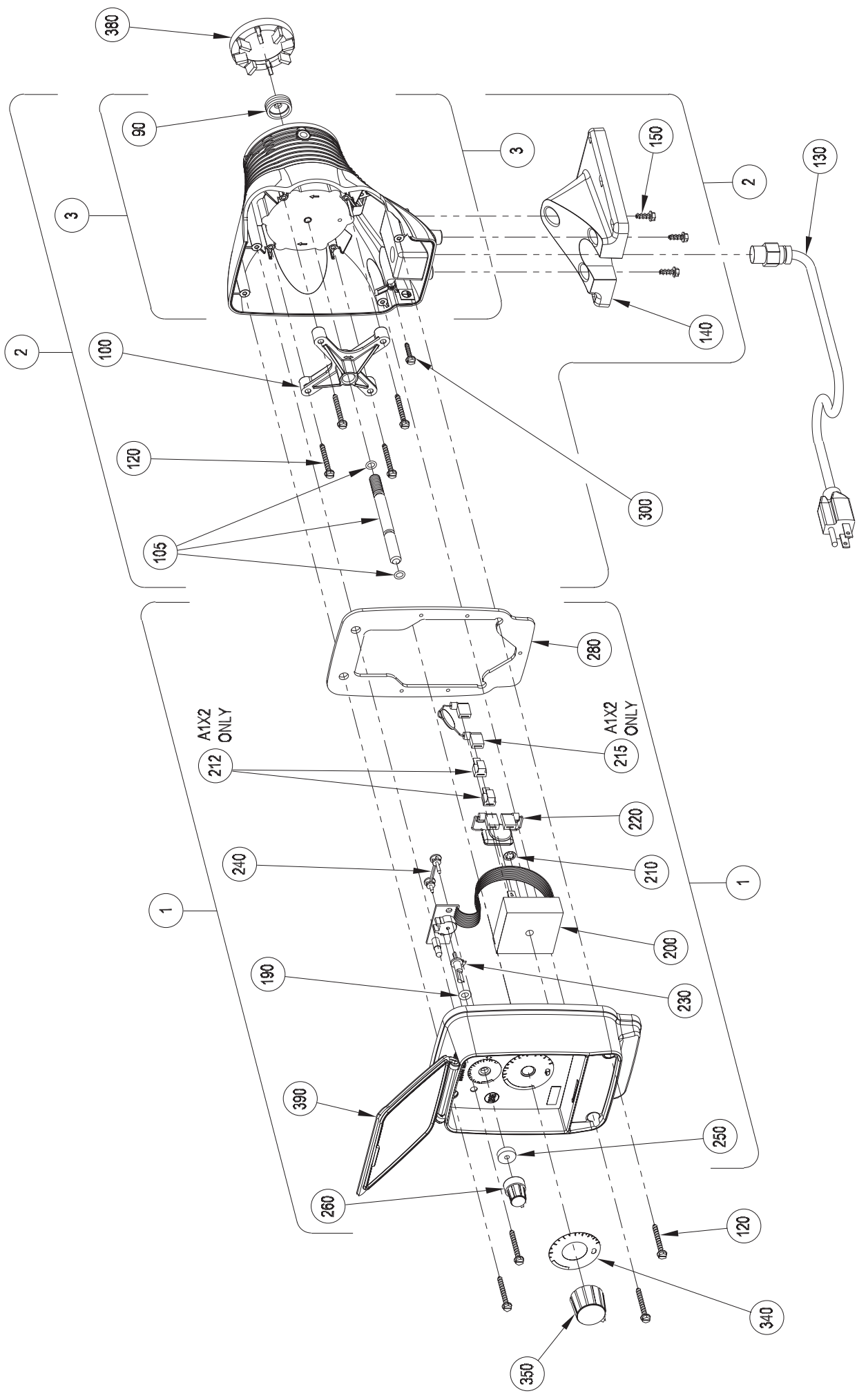
201 Ivyland Road
Ivyland, PA 18974 USA
TEL: (215) 293-0401
FAX: (800) 327-7563
<http://www.lmipumps.com>

ISO 9001 Certified



1972.A 08/03

Series AA1 Drive Assembly Exploded View Diagram

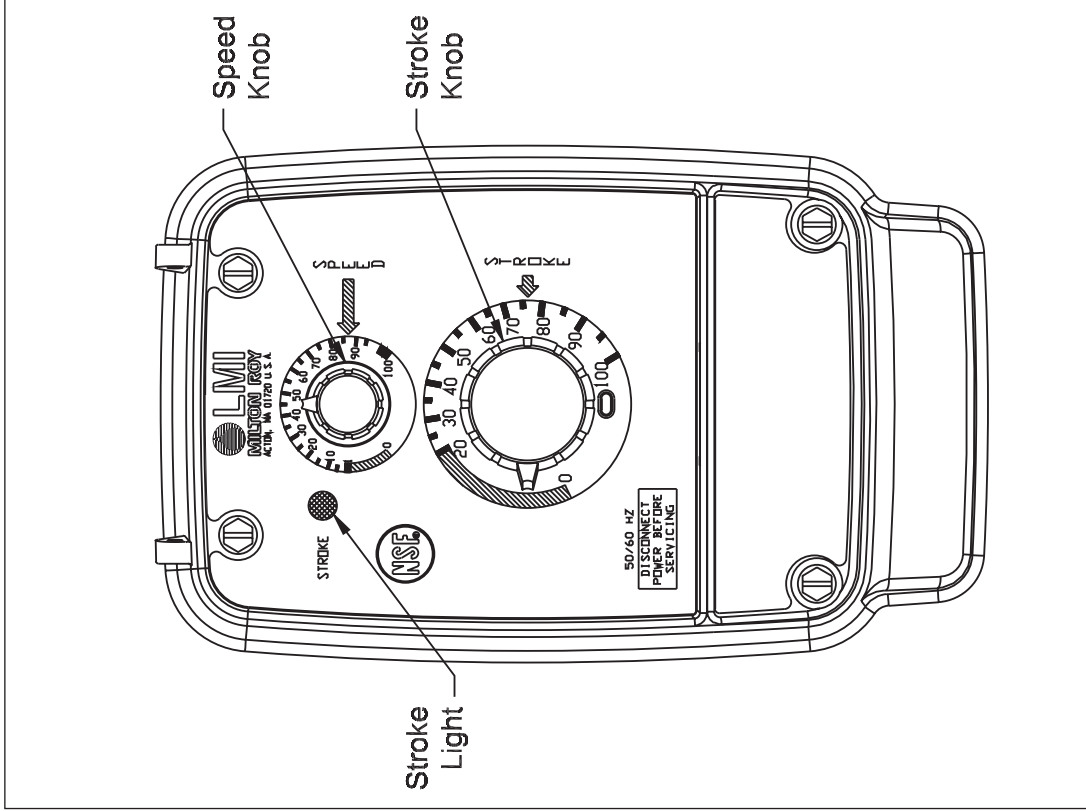


Series AA1 Drive Assembly Parts List

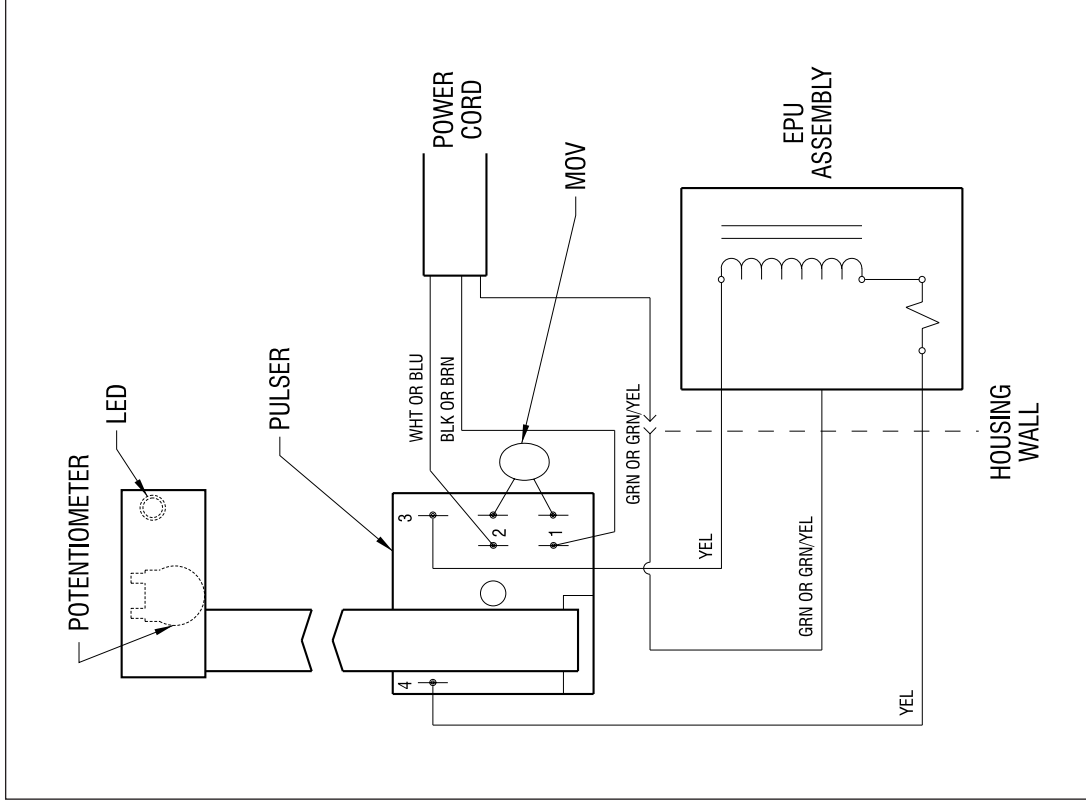
Key No.	Model Series	Part No.	Description	Qty.	
1	AA141, AA151, AA161, AA171, AA181	48013	Control Panel Assembly, 115V	1	
	AA142, AA152, AA162, AA172, AA182	48014	Control Panel Assembly, 230V US	1	
	AA143, AA145, AA146, AA147 AA153, AA155, AA156, AA157 AA163, AA165, AA166, AA167 AA173, AA175, AA176, AA177 AA183, AA185, AA186, AA187	48015	Control Panel Assembly, 230-250V	1	
	AA141, AA151	48034	EPU w/ Stroke Adjustment, 115V	1	
	AA142, AA143, AA145, AA146, AA147 AA152, AA153, AA155, AA156, AA157	48035	EPU w/ Stroke Adjustment, 230-250V	1	
	AA161	48036	EPU w/ Stroke Adjustment, 115V	1	
	AA162, AA163, AA165, AA166, AA167	48037	EPU w/ Stroke Adjustment, 230-250V	1	
2	AA171, AA181	48038	EPU w/ Stroke Adjustment, 115V	1	
	AA172, AA173, AA175, AA176, AA177 AA182, AA183, AA185, AA186, AA187	48039	EPU w/ Stroke Adjustment, 230-250V	1	
	AA141, AA151	48025	EPU, 115V	1	
	AA142, AA143, AA145, AA146, AA147 AA152, AA153, AA155, AA156, AA157	48026	EPU, 230-250V	1	
	AA161	48027	EPU, 115V	1	
	AA162, AA163, AA165, AA166, AA167	48028	EPU, 230-250V	1	
	AA171, AA181	48029	EPU, 115V	1	
3	AA172, AA173, AA175, AA176, AA177 AA182, AA183, AA185, AA186, AA187	48030	EPU, 230-250V	1	
	90	AA1	10973	Seal	1
	100	AA1	38886	Stroke Adjustment Bracket	1
	105	AA1	48012	Stroke Adjustment Shaft Assembly	1
	120	AA1	41227	Screw	8

Key No.	Model Series	Part No.	Description	Qty.	
130	AA141, AA151, AA161, AA171, AA181	29033CE	Power Cord Assembly, 115V	1	
	AA142, AA152, AA162, AA172, AA182	29039CE	Power Cord Assembly, 230V US	1	
	AA143, AA153, AA163, AA173, AA183	29042CE	Power Cord Assembly, 230V DIN	1	
	AA145, AA155, AA165, AA175, AA185	29044CE	Power Cord Assembly, 240V UK	1	
	AA146, AA156, AA166, AA176, AA186	29046CE	Power Cord Assembly, 250V AUST	1	
	AA147, AA157, AA167, AA177, AA187	29048CE	Power Cord Assembly, 230V SWISS	1	
140	AA1	37879	Foot	1	
150	AA1	38199	Screw	3	
190	AA1	34497	O-Ring	1	
200	AA1	35708	Pulser	1	
210	AA1	10422	Retaining Ring	1	
212	AA142, AA152, AA162, AA172, AA182	25507	Adapter	2	
215	AA142, AA152, AA162, AA172, AA182	48043	Varister Assembly, 230V US	1	
220	AA141, AA151, AA161, AA171, AA181	35243	MOV and Capacitor Assy, 115V	1	
	AA142, AA152, AA162, AA172, AA182 AA143, AA153, AA163, AA173, AA183 AA145, AA155, AA165, AA175, AA185 AA146, AA156, AA166, AA176, AA186 AA147, AA157, AA167, AA177, AA187	35237	MOV and Capacitor Assy, 230-250V	1	
	230	AA1	35743	Speed Shaft	1
	240	AA1	35744	Dual Pin	1
	250	AA1	30803	Gasket	1
	260	AA1	30709	Speed Knob	1
280	AA1	38887	Gasket	1	
300	AA1	41244	Screw	1	
	AA16	30374	Stroke Dial	1	
	AA17	29269	Stroke Dial	1	
	AA18	29268	Stroke Dial	1	
340	AA1	31890	Stroke Knob Assembly	1	
380	AA14, AA17	29445	Disk, 0.5	1	
	AA15, AA18	29437	Disk, 0.9	1	
	AA16	29442	Disk, 1.8	1	
390	AA1	37974	Cover	1	

Series AA1 Control Panel Detail



Series AA1 Wiring Diagram



© 2003 LMI Milton Roy - USA - All Rights Reserved
 Printed in USA
 Specifications subject to change without notice.

