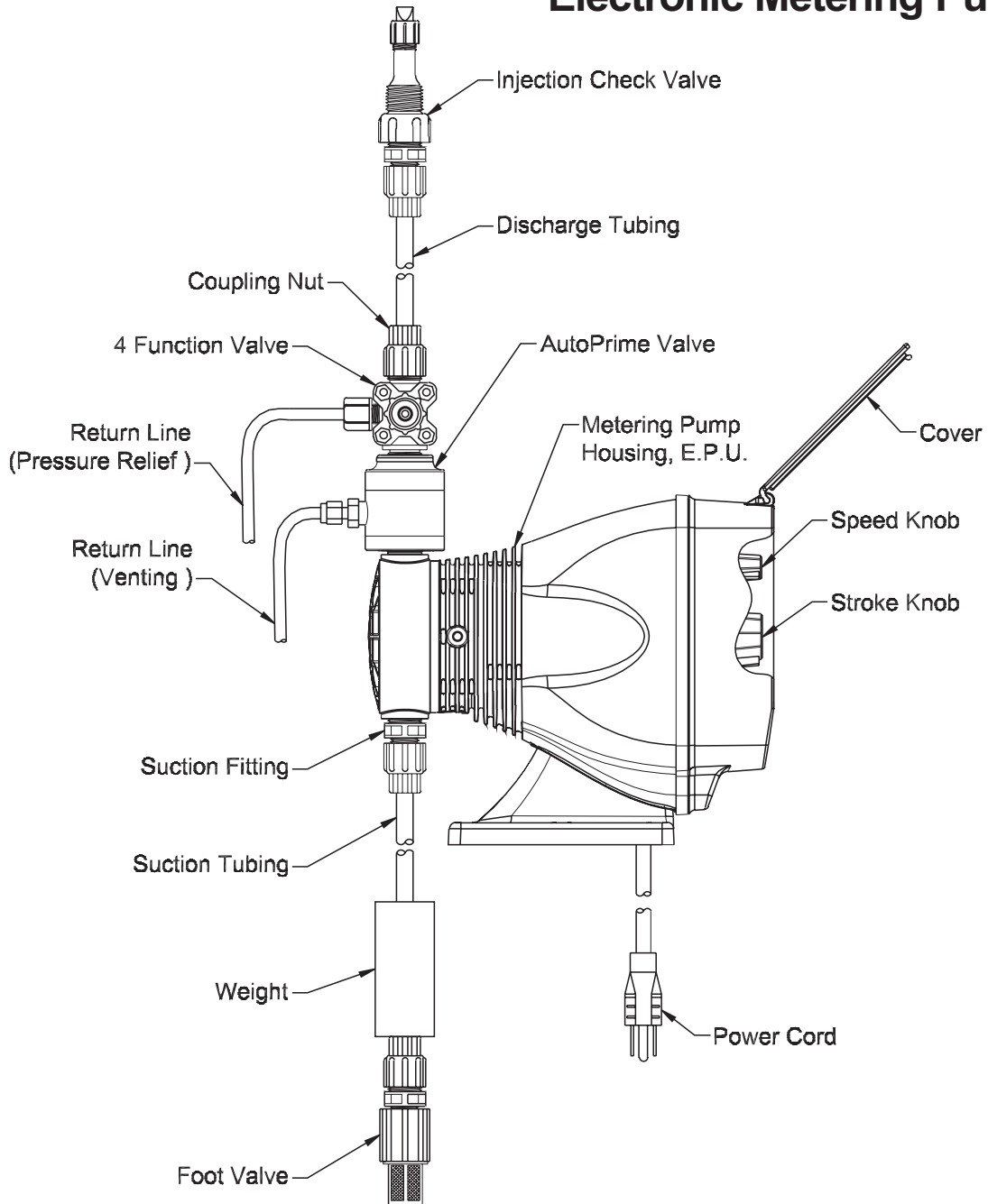


Instruction Supplement

Series AA7

Electronic Metering Pump

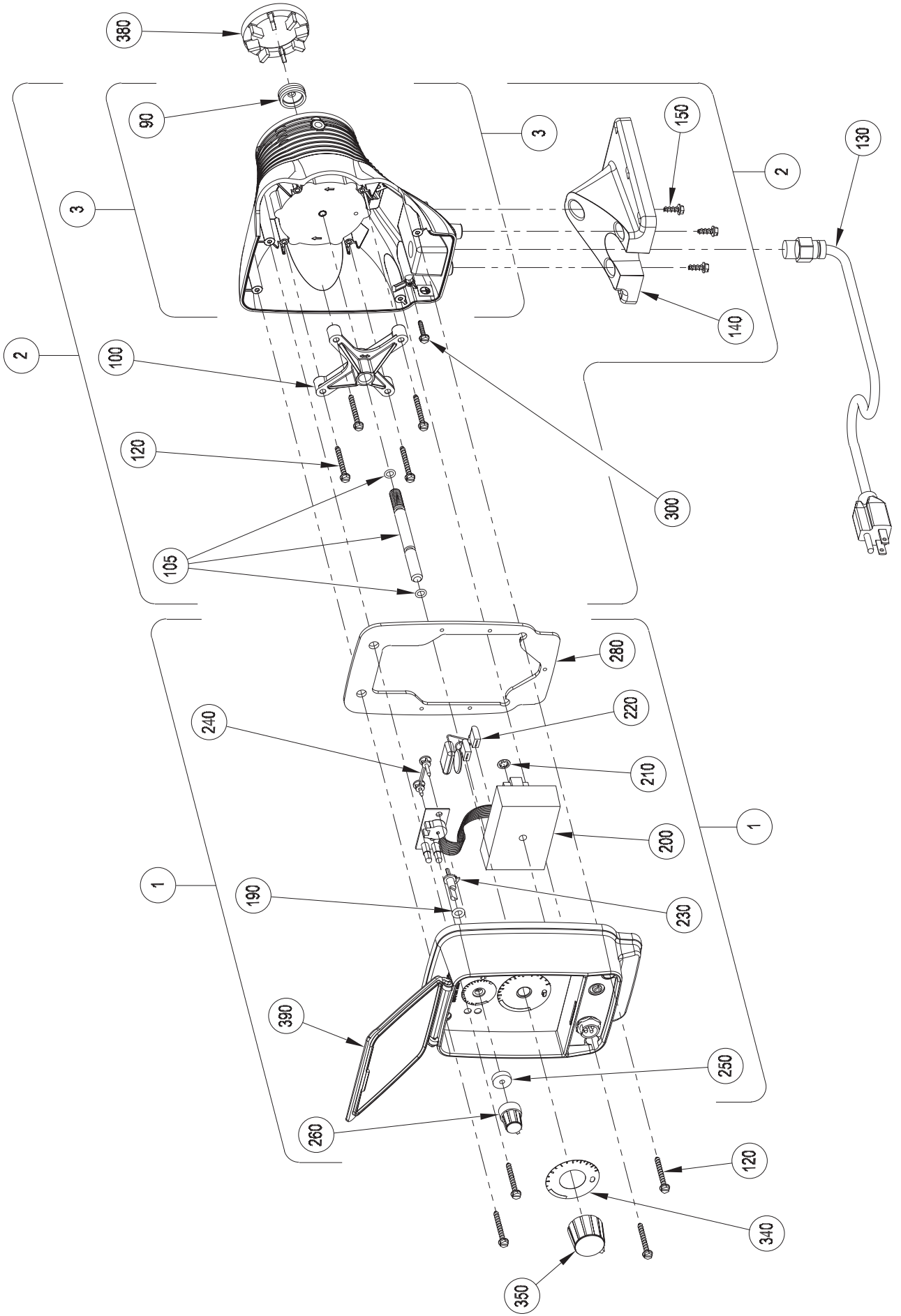


Metering Pump Component Diagram



201 Ivyland Road
Ivyland, PA 18974 USA
TEL: (215) 293-0401
FAX: (800) 327-7563
<http://www.lmipumps.com>

Series AA7 Drive Assembly Exploded View Diagram

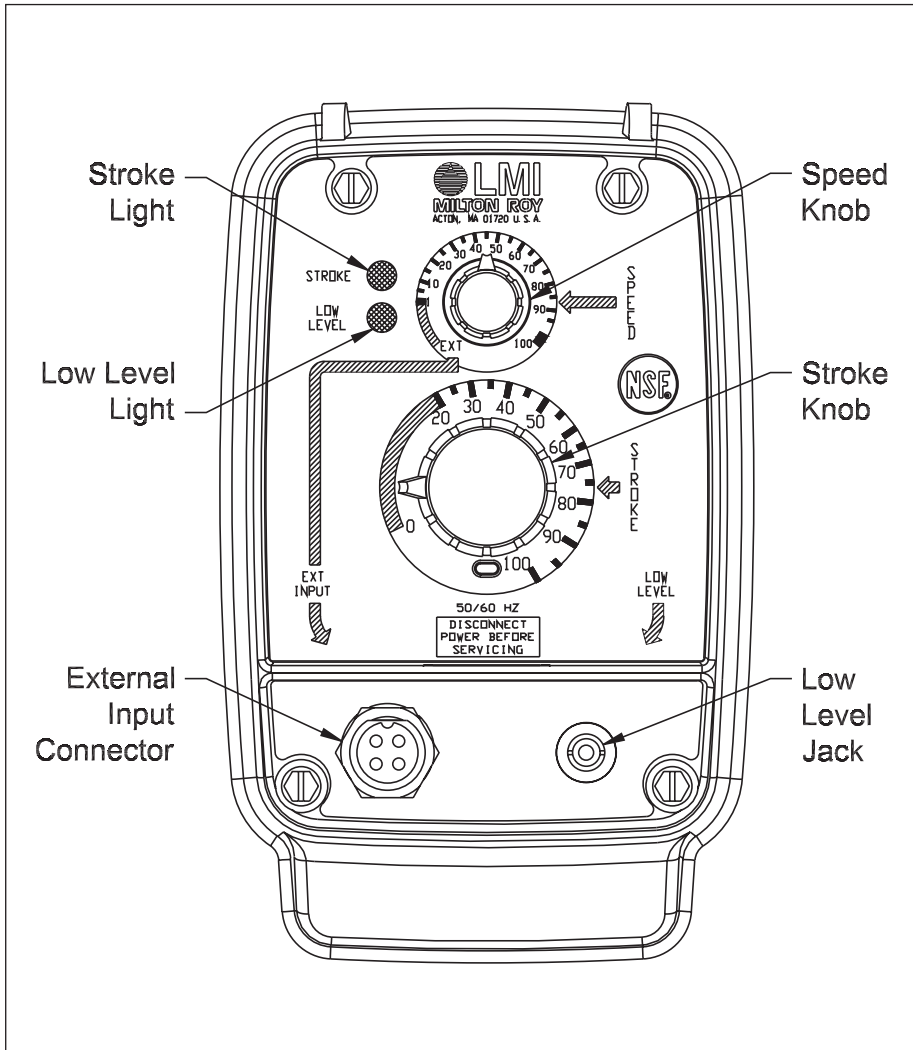


Series AA7 Drive Assembly Parts List

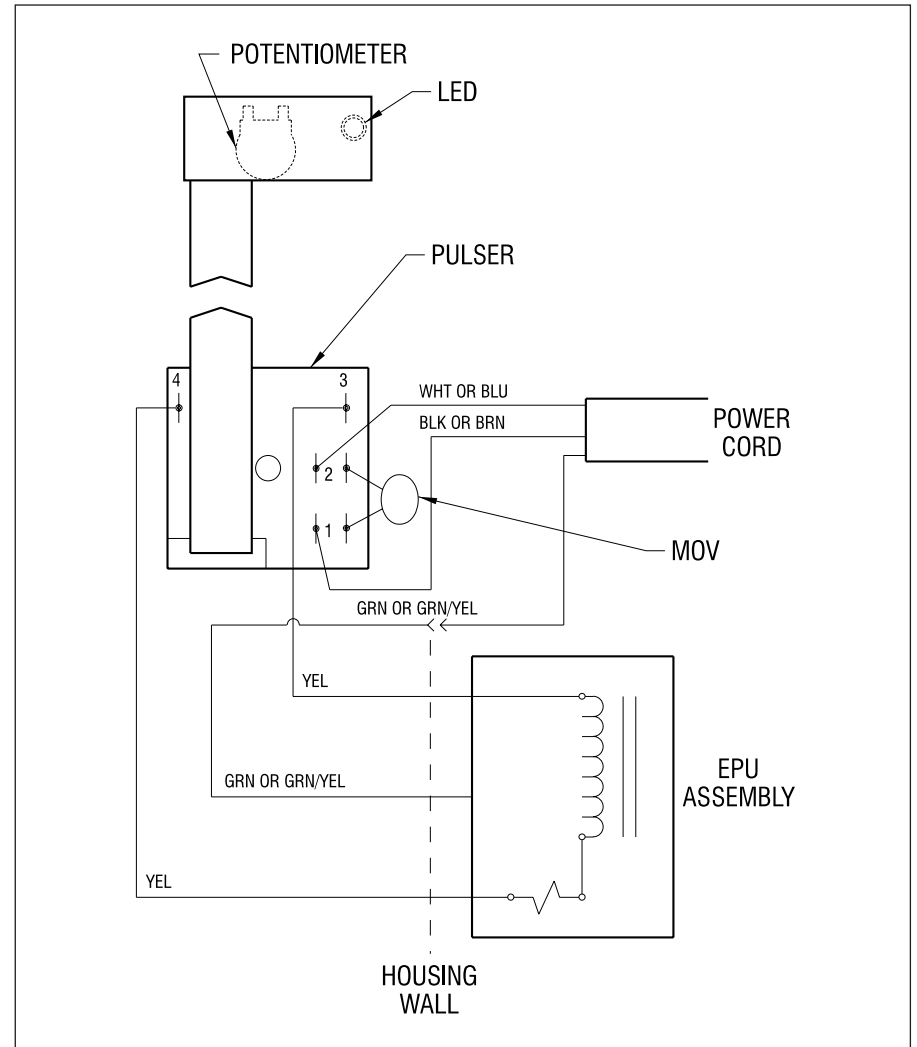
Key No.	Model Series	Part No.	Description	Qty.
1	AA741, AA751, AA761, AA771, AA781	48016	Control Panel Assembly, 115V	1
	AA742, AA752, AA762, AA772, AA782	48017	Control Panel Assembly, 230-250V	1
	AA743, AA753, AA763, AA773, AA783			
	AA745, AA755, AA765, AA775, AA785			
	AA746, AA756, AA766, AA776, AA786			
	AA747, AA757, AA767, AA777, AA787			
2	AA741, AA751	48034	EPU w/ Stroke Adjustment, 115V	1
	AA742, AA743, AA745, AA746, AA747 AA752, AA753, AA755, AA756, AA757	48035	EPU w/ Stroke Adjustment, 230-250V	1
	AA761	48036	EPU w/ Stroke Adjustment, 115V	1
	AA762, AA763, AA765, AA766, AA767	48037	EPU w/ Stroke Adjustment, 230-250V	1
	AA771, AA781	48038	EPU w/ Stroke Adjustment, 115V	1
	AA772, AA773, AA775, AA776, AA777 AA782, AA783, AA785, AA786, AA787	48039	EPU w/ Stroke Adjustment, 230-250V	1
3	AA741, AA751	48025	EPU, 115V	1
	AA742, AA743, AA745, AA746, AA747 AA752, AA753, AA755, AA756, AA757	48026	EPU, 230-250V	1
	AA761	48027	EPU, 115V	1
	AA762, AA763, AA765, AA766, AA767	48028	EPU, 230-250V	1
	AA771, AA781	48029	EPU, 115V	1
	AA772, AA773, AA775, AA776, AA777 AA782, AA783, AA785, AA786, AA787	48030	EPU, 230-250V	1
90	AA7	10973	Seal	1
100	AA7	38886	Stroke Adjustment Bracket	1
105	AA7	48012	Stroke Adjustment Shaft Assembly	1
120	AA7	41227	Screw	8
130	AA741, AA751, AA761, AA771, AA781	29033CE	Power Cord Assembly, 115V	1
	AA742, AA752, AA762, AA772, AA782	29039CE	Power Cord Assembly, 230V US	1
	AA743, AA753, AA763, AA773, AA783	29042CE	Power Cord Assembly, 230V DIN	1
	AA745, AA755, AA765, AA775, AA785	29044CE	Power Cord Assembly, 240V UK	1

Key No.	Model Series	Part No.	Description	Qty.
140	AA7	37879	Foot	1
150	AA7	38199	Screw	3
190	AA7	34497	O-Ring	1
200	AA741, AA751, AA761, AA771, AA781	37734	Pulser, 120V	1
	AA742, AA752, AA762, AA772, AA782 AA743, AA753, AA763, AA773, AA783 AA745, AA755, AA765, AA775, AA785 AA746, AA756, AA766, AA776, AA786 AA747, AA757, AA767, AA777, AA787	37735	Pulser, 230-250V	1
210	AA7	10422	Retaining Ring	1
220	AA741, AA751, AA761, AA771, AA781	35243	MOV and Capacitor Assy, 115V	1
	AA742, AA752, AA762, AA772, AA782 AA743, AA753, AA763, AA773, AA783 AA745, AA755, AA765, AA775, AA785 AA746, AA756, AA766, AA776, AA786 AA747, AA757, AA767, AA777, AA787	35237	MOV and Capacitor Assy, 230-250V	1
230	AA7	35743	Speed Shaft	1
240	AA7	35744	Dual Pin	1
250	AA7	30803	Gasket	1
260	AA7	30709	Speed Knob	1
280	AA7	38887	Gasket	1
300	AA7	41244	Screw	1
340	AA76	30374	Stroke Dial	1
	AA77	29269	Stroke Dial	1
	AA78	29268	Stroke Dial	1
350	AA7	31890	Stroke Knob Assembly	1
380	AA74, AA77	29445	Disk, 0.5	1
	AA75, AA78	29437	Disk, 0.9	1
	AA76	29442	Disk, 1.8	1
390	AA7	37974	Cover	1

Series AA7 Control Panel Detail



Series AA7 Wiring Diagram



© 2003 LMI Milton Roy - USA- All Rights Reserved
 Printed in USA
 Specifications subject to change without notice.