



# MARCH PUMPS

1819 PICKWICK AVE.. GLENVIEW. IL 60026-1306, U.S.A

## DESCRIPTION:

Series 335 pumps are centrifugal magnetic drive pumps, eliminating the need for a shaft seal. Pumps can be serviced with an adjustable wrench. See the parts list for a breakdown of parts.

**Model Abbreviations:** A: Smooth Inlet/Outlet, C: Threaded Inlet/Outlet

## OPERATION:

Pumps are not self-priming, lack a suction lift, and thus require a **flooded suction**. Pumps **cannot be run dry** because the impeller requires the liquid being pumped for lubrication. The direction of motor rotation should be clockwise when facing the inlet of the pump. For liquids with a specific gravity greater than water, have a higher viscosity, or for elevated temperatures, a trimmed impeller may be necessary. For application assistance, contact March Pump.

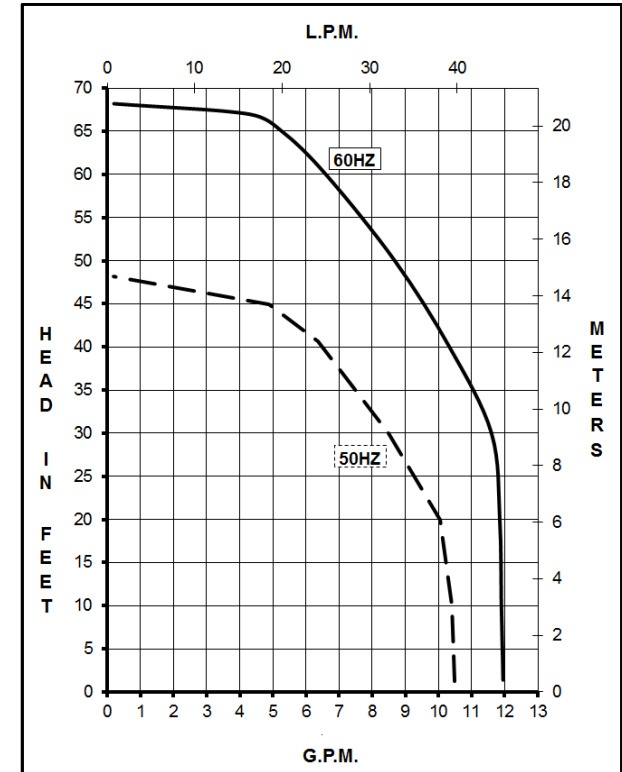
## ELECTRICAL:

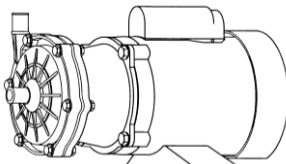
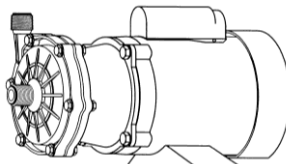
335 pumps are dual voltage 115/230, 1 phase 50/60 Hz or dual voltage 230/460 60 Hz (190/380 50 Hz), 3 phase, TEFC. Motors are totally enclosed fan cooled and are U.L. listed as well as rated for continuous operation. All motors have a conduit box for electrical connections.

## LIMITED WARRANTY:

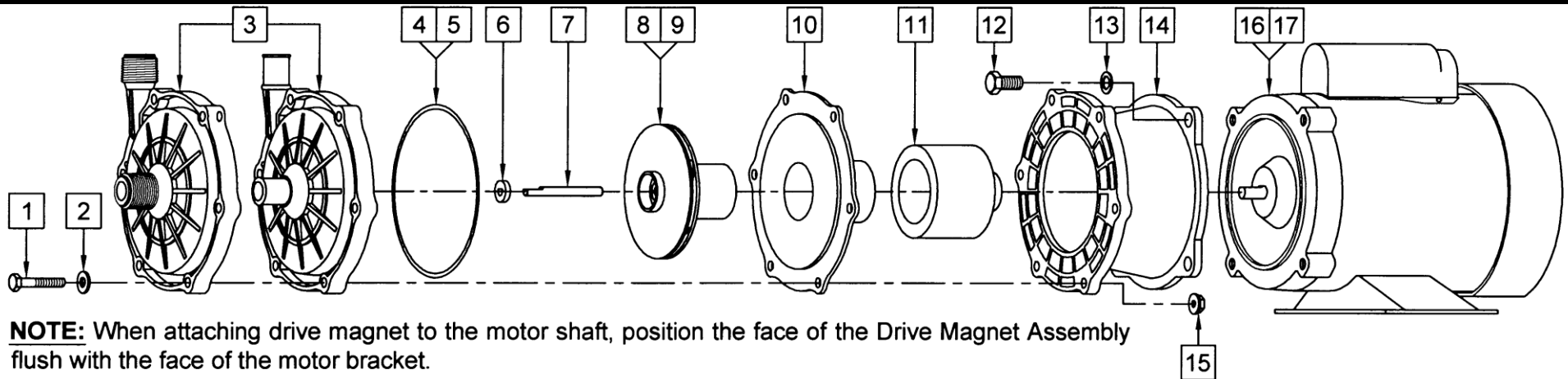
March pumps are guaranteed only against defects in workmanship or materials for a period of one year from date of manufacture pumping water.

## 335-AP-MD, 335-CP-MD



| SPECIFICATIONS         |          | 335-AP-MD   |          |      |      |       |     |     |     |       |      |       |      |      |      | 335-CP-MD   |    |        |     |       |       |        |        |               |        |      |        |      |       |       |
|------------------------|----------|---|----------|------|------|-------|-----|-----|-----|-------|------|-------|------|------|------|---|----|--------|-----|-------|-------|--------|--------|---------------|--------|------|--------|------|-------|-------|
|                        |          |  |          |      |      |       |     |     |     |       |      |       |      |      |      |  |    |        |     |       |       |        |        |               |        |      |        |      |       |       |
| Product #              | 1 Phase  | 0335-0001-0300  |          |      |      |       |     |     |     |       |      |       |      |      |      | 0335-0001-0100  |    |        |     |       |       |        |        |               |        |      |        |      |       |       |
|                        | 3 Phase  | 0335-0001-0400  |          |      |      |       |     |     |     |       |      |       |      |      |      | 0335-0001-0200  |    |        |     |       |       |        |        |               |        |      |        |      |       |       |
| Inlet - Outlet         |          | 3/4" OD - 3/4"OD  |          |      |      |       |     |     |     |       |      |       |      |      |      | 3/4" MPT - 3/4" MPT   |    |        |     |       |       |        |        |               |        |      |        |      |       |       |
| Max Internal Pressure  |          | 50 psi (344 kPa)  |          |      |      |       |     |     |     |       |      |       |      |      |      | 50 psi (344 kPa)  |    |        |     |       |       |        |        |               |        |      |        |      |       |       |
| Max Liquid Temperature |          | 190 °F (87 °C)  |          |      |      |       |     |     |     |       |      |       |      |      |      | 190 °F (87 °C)  |    |        |     |       |       |        |        |               |        |      |        |      |       |       |
| MODEL                  | Max Flow |   | Max Head |      |      | 60 Hz |     |     |     |       |      | 50 Hz |      |      |      |   |    | Height |     | Width |       | Length |        | Packed Weight |        |      |        |      |       |       |
|                        | gpm      | lpm   | ft       | psi  | m    | Ph    | V   | A   | Hp  | kW    | Rpm  | gpm   | lpm  | ft   | psi  | m   | Ph | V      | A   | Hp    | kW    | Rpm    | Inches | cm            | Inches | cm   | Inches | cm   | lbs   | kg    |
| 335-AP-MD<br>335-CP-MD | 12       | 45.4  | 68       | 29.5 | 20.7 | 1     | 115 | 4.4 | 1/3 | 0.249 | 3450 | 10    | 37.8 | 47.9 | 20.8 | 14.6  | 1  | 115    | 4.4 | 1/3   | 0.249 | 2850   | 7.79   | 19.7          | 7.74   | 19.6 | 13.67  | 34.7 | 23.80 | 10.79 |
|                        | 12       | 45.4  | 68       | 29.5 | 20.7 | 3     | 230 | 1.2 | 1/3 | 0.249 | 3450 | 10    | 37.8 | 47.9 | 20.8 | 14.6  | 3  | 190    | 1.2 | 1/4   | 0.186 | 2850   | 7.44   | 18.8          | 9.25   | 23.4 | 14.49  | 36.8 | 28.10 | 12.74 |

All specifications & data are based on pumping water & are intended as a guideline only. Specifications may vary with different motors.



**NOTE:** When attaching drive magnet to the motor shaft, position the face of the Drive Magnet Assembly flush with the face of the motor bracket.

| #  | DESCRIPTION   | MATERIAL      | SIZE (Inches)      | QTY. | 335-AP-MD      | 335-CP-MD      |
|----|---|---------------|--------------------|------|----------------|----------------|
| 1  | Screw   | Stainless     | 1/4-20 x 1-1/2 Lg. | 6    | 0153-0011-1000 |                |
| 2  | Washer  | Stainless     | 1/4 ID x 5/8 OD    | 6    | 0157-0023-1000 |                |
| 3  | Front Housing w/Inlet & Outlet                        | Polypropylene | 3/4 OD             | 1    | 0335-0003-1000 |                |
| 3  | Front Housing w/Inlet & Outlet                        | Polypropylene | 3/4 MPT            | 1    |                | 0335-0002-1000 |
| 4  | "O" Ring  | Viton         | 1/8 CS x 5 OD      | 1    |                | 0335-0009-1000 |
| 5  | "O" Ring (Option)                                     | Viton/Teflon  |                    | 1    |                | 0335-0016-1000 |
| 6  | Thrust Washer   | Ceramic       |                    | 1    | 0821-0079-1000 |                |
| 7  | Shaft   | Ceramic       |                    | 1    | 0130-0024-1000 |                |
| 8  | Impeller  | Polypropylene |                    | 1    | 0335-0005-0200 |                |
| 9  | Impeller w/Carbon Bushing (Option)                    | Polypropylene |                    | 1    | 0335-0005-0400 |                |
| 10 | Rear Housing w/Ceramic Thrust Washer                  | Polypropylene |                    | 1    | 0335-0004-0100 |                |
| 11 | Drive Magnet  |               |                    | 1    | 0335-0017-0000 |                |
| 12 | Screw   | Stainless     | 3/8-16 x 1 Lg.     | 4    | 0155-0017-1000 |                |
| 13 | Washer  | Stainless     | 3/8 ID x 5/8 OD    | 4    | 0155-0019-1000 |                |
| 14 | Motor Bracket   | Plastic       |                    | 1    | 0335-0010-1000 |                |
| 15 | Hex Nut   | Stainless     | 1/4-20             | 6    | 0156-0053-1000 |                |
| 16 | Motor, TEFC, 115/230 V, 50/60 Hz, 1 Phase             |               |                    | 1    | 0151-0015-1000 |                |
| 17 | Motor, TEFC, 230/460 V, 50/60 Hz, 3 Phase (Not Shown) |               |                    | 1    | 0151-0039-1000 |                |

**Materials in Contact with Solution:**

Polypropylene, Ceramic, Viton

Explosion proof and special voltage motors are available upon special order.

NOTE: Contact Factory for other materials and/or parts not listed. All dimensions are in inches unless otherwise marked.

0335-0011-1000 R10